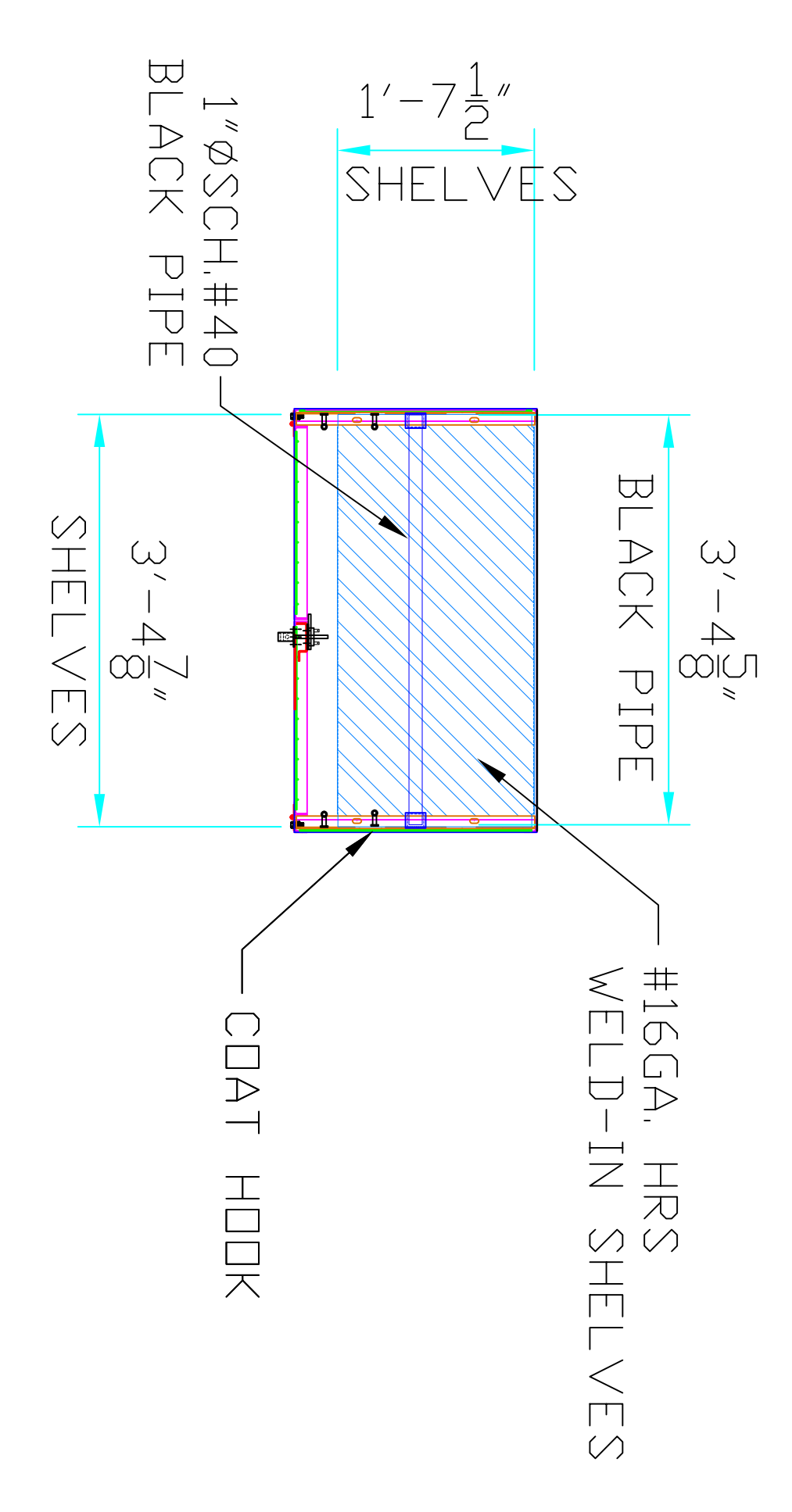
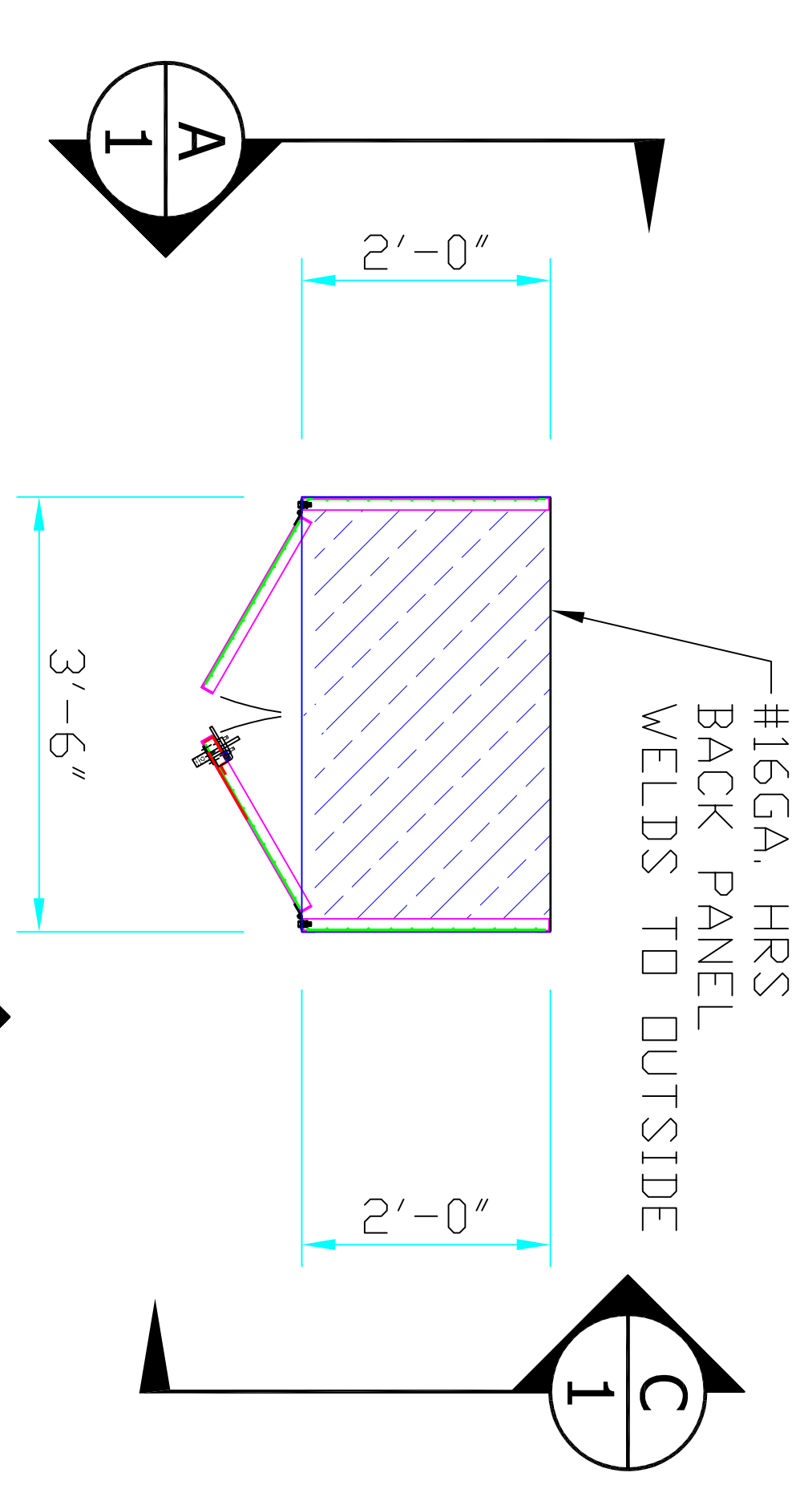


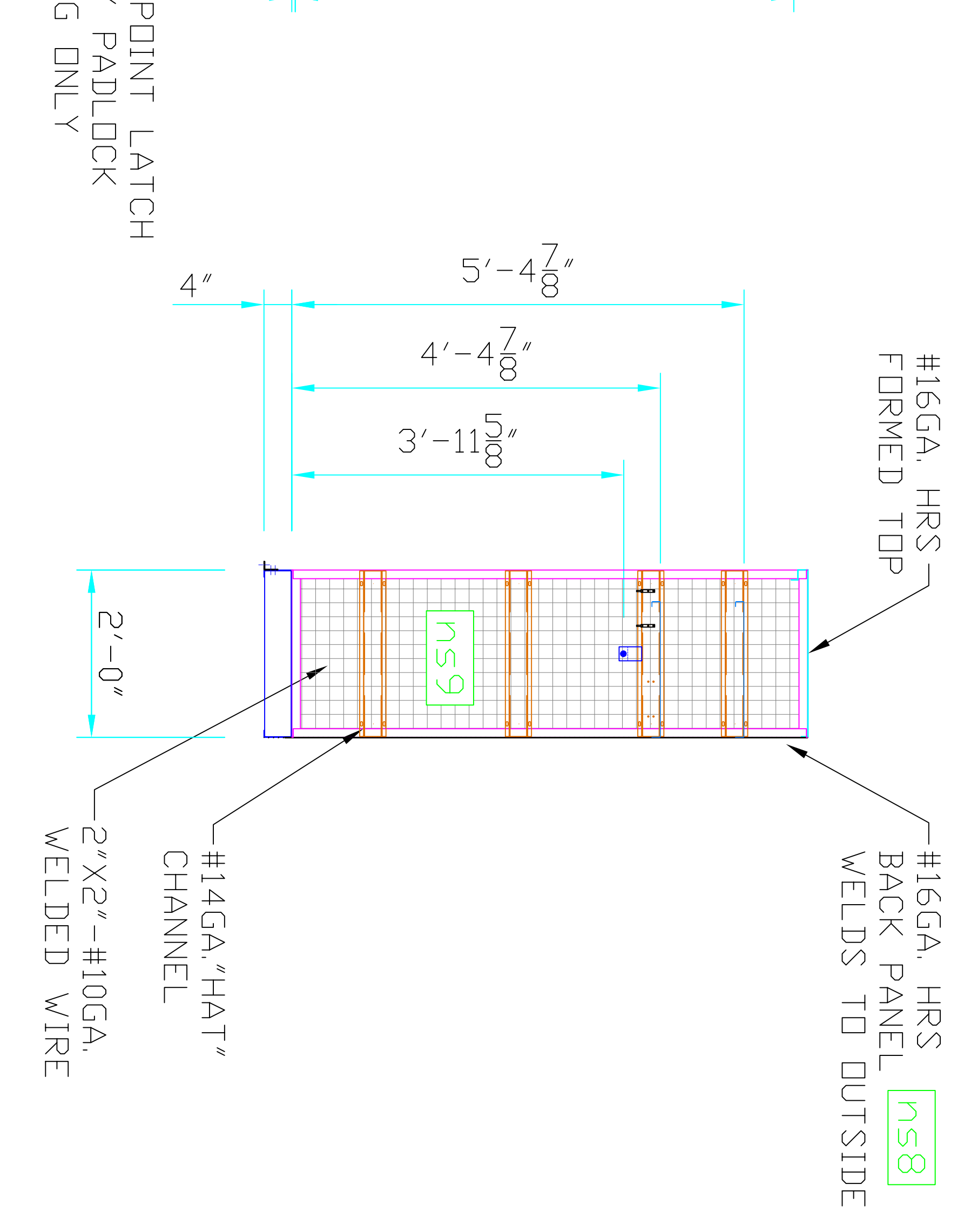
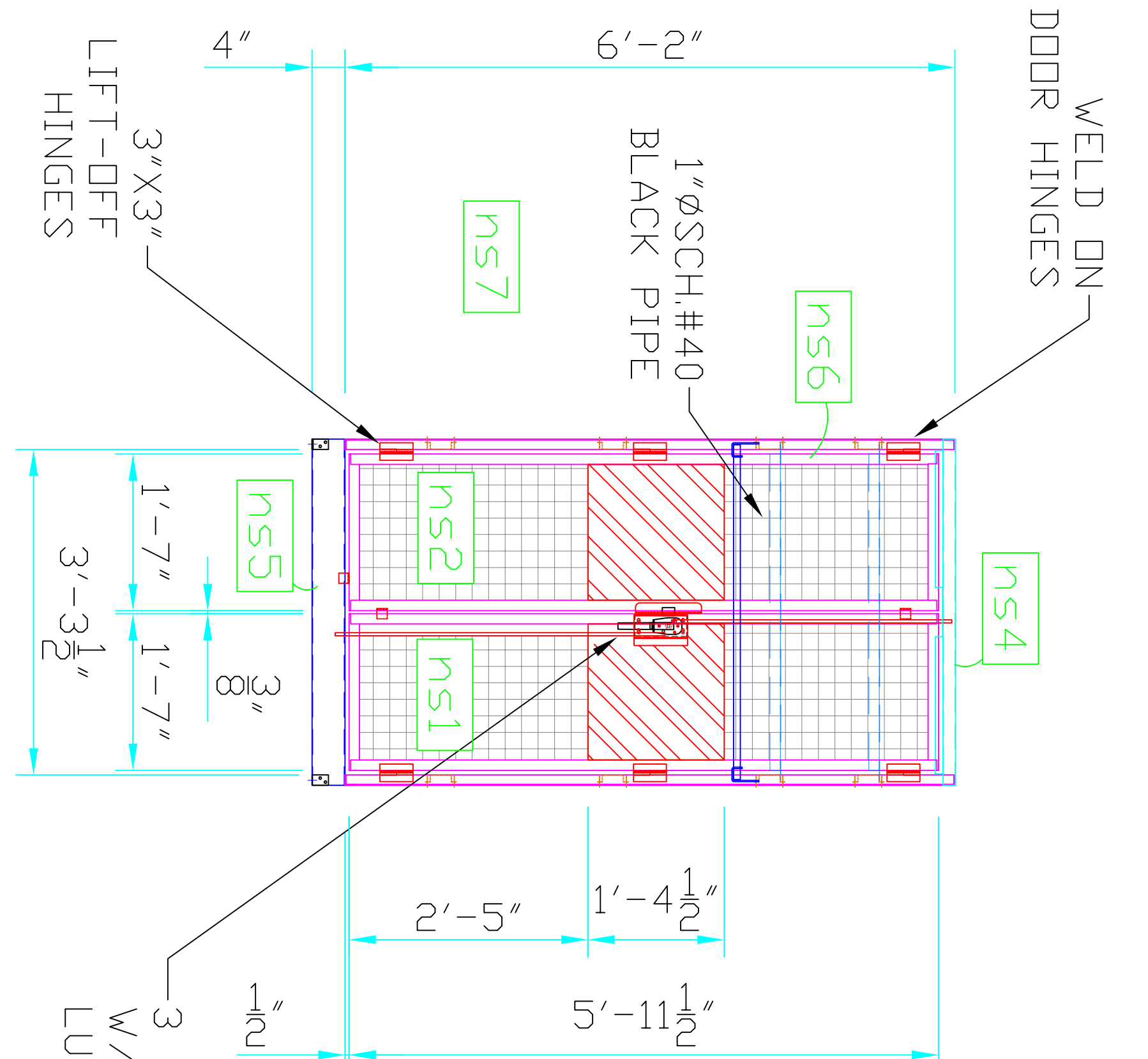
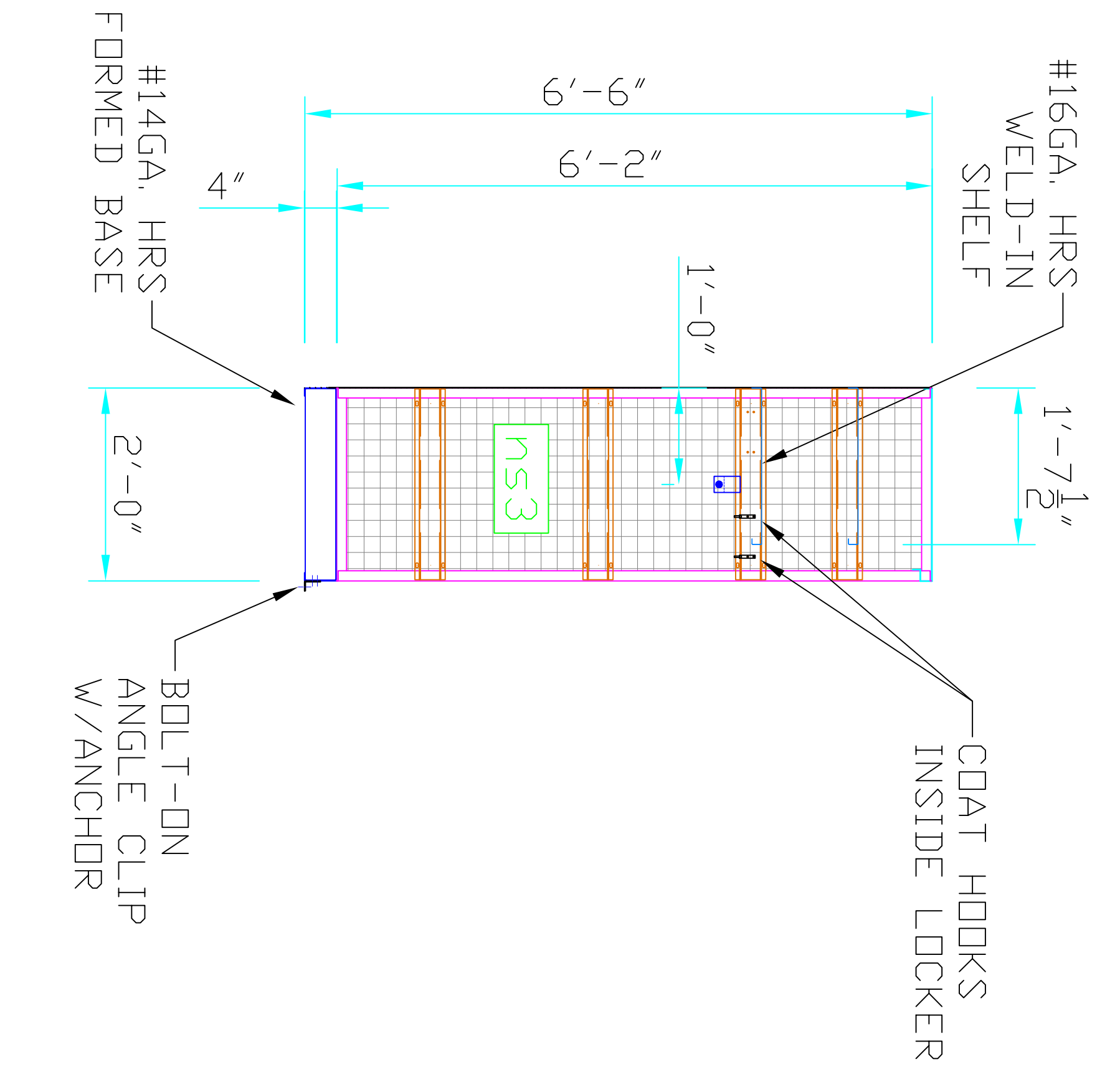
PARTS LIST		TOTAL PCS	7	
QTY	TAG	WIDTH	HEIGHT	DESCRIPTION
7	ns100	NON-STOCK ITEMS 3'-6"	6'-6"	Locker Unit



NOTE:  
ONLY AMERICAN MADE  
HARDWARE SUPPLIED.  
UNITS COMPLETELY ASSEMBLED.

# PLAN VIEW # REQUIRED

# SHELF DETAIL TOP



## ELEVATION A FACE SIDE 1

## ELEVATION B FACE SIDE 1

## ELEVATION C FACE SIDE 1

### TA-50 GEAR LOCKERS SPECIFICATIONS

2" SQ. - #10 GAUGE WELDED WIRE MESH  
DOOR FRAME: 1 1/4" X 1 1/4" X .1875" ANGLE  
W/ 3 POINT LATCH W/ PADLOCK LUG  
#16GA. HRS FORMED TOP SHEET METAL SHELVES  
#16GA. HRS FORMED SHEET METAL SHELVES  
1 1/2" DIA. BLACK SCHED. 40 COAT HOOKS SUPPLIED  
AMERICAN MADE STEEL CONSTRUCTION  
PAINT: \*\*\*\*\*

REV#	DESCRIPTION	DATE	REV#

DEALER: **WireCrafters**  
 6208 STRAWBERRY LANE, LOUISVILLE, KY 40214  
 (800-456-1815) (502-581-0691)  
 WWW.WIRECRAFTERS.COM  
 P.O. NO.:  
 CUSTOMER:  
 MARK NO.:  
 DRAWN BY: DATE: SHEET: 1 OF 1  
 CHECKED BY: DATE: