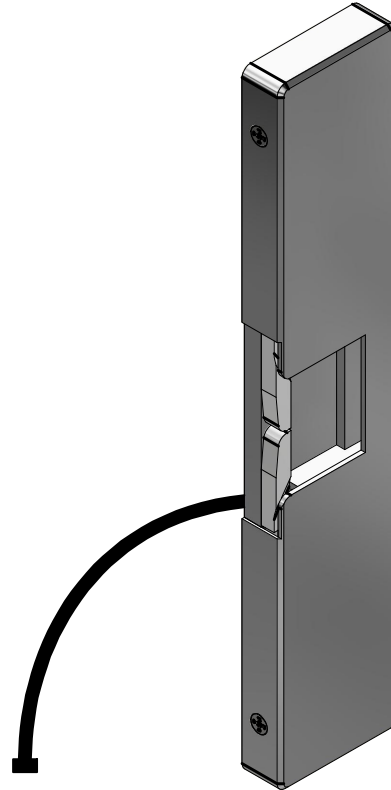


# Surface Mount Electric Strike

## Electric Strike Installation Instructions

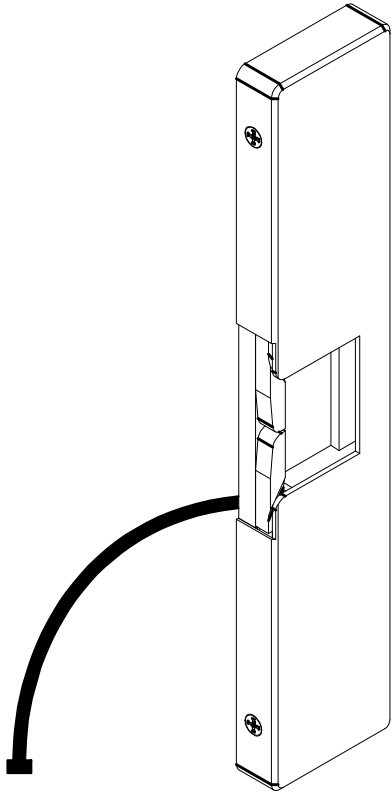


### SUGGESTED TOOLS

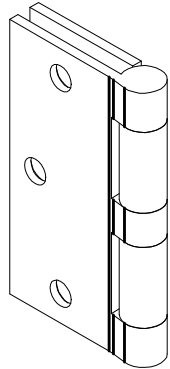
Drill with adjustable clutch  
#3 Phillips Head Bit for Drill  
3/4" Drill Bit  
5/16" Nut Driver  
3/8 Wrench  
#1 & #2 Phillips Head Screwdriver  
(2) C clamps or Vise-Grip® type clamps  
Chalk line & Marker  
Tape Measure  
Step Ladder

### INCLUDED IN THIS MANUAL

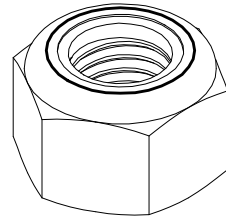
<u>Description</u>	<u>Page</u>
Hardware Included	2
Hinge Install	3
Prep for Electric Strike Install	4
Installation	5



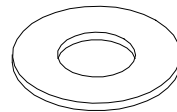
12/24 VDC Surface Mount Electric Strike  
Quantity (1)  
Part# LKELECSTRKSM



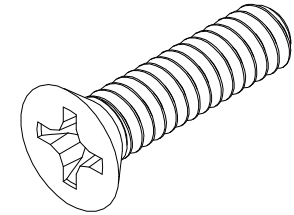
3 1/2" x 3 1/2" Hinge  
Quantity (3)  
Part# HDHG035



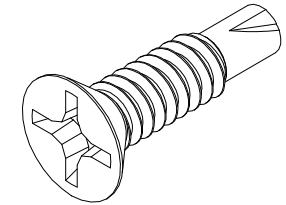
10-24 Stainless Steel Lock Nut  
Quantity (6)  
Part# FS1024SSLN



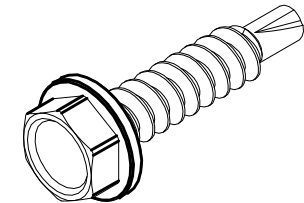
#10 Stainless Steel Washer  
Quantity (6)  
Part# FS10SSFW



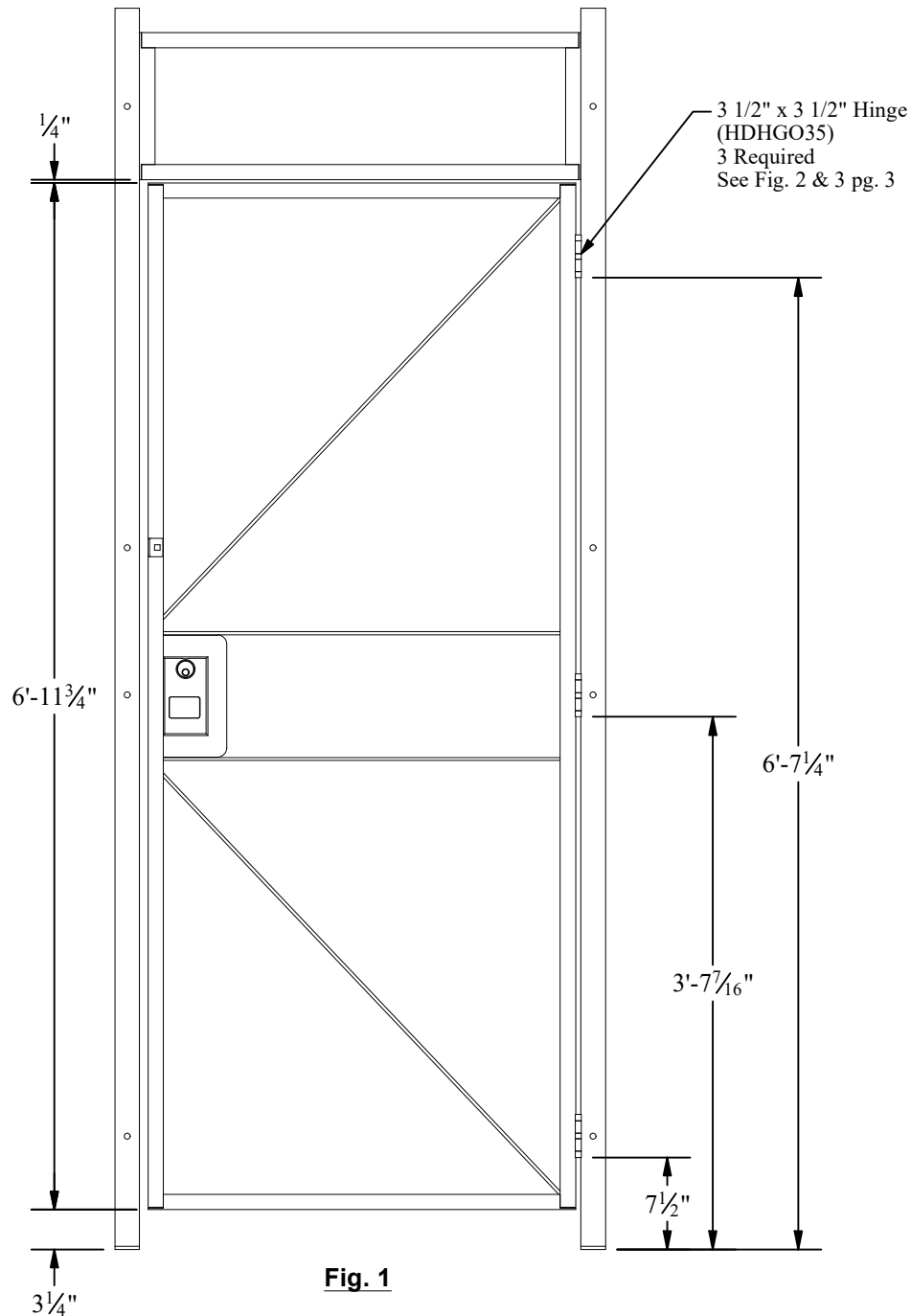
10-24 X 3/4" Stainless Steel #2 Phillips Head  
Countersunk Machine Screw  
Quantity (6)  
Part# FS102434SS



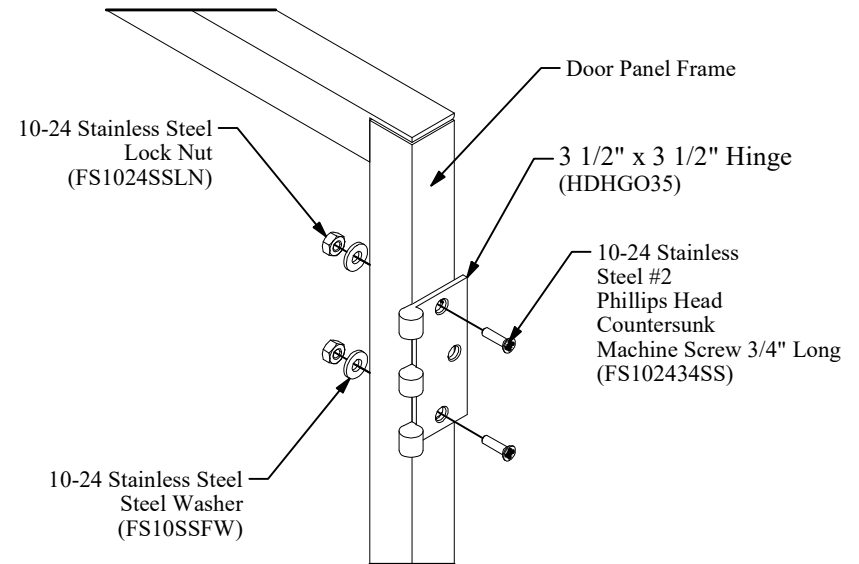
10-24 x 3/4" Long Self-Drilling With #3 Phillips  
Head Screw  
Quantity (9)  
Part# FS141FHSDST



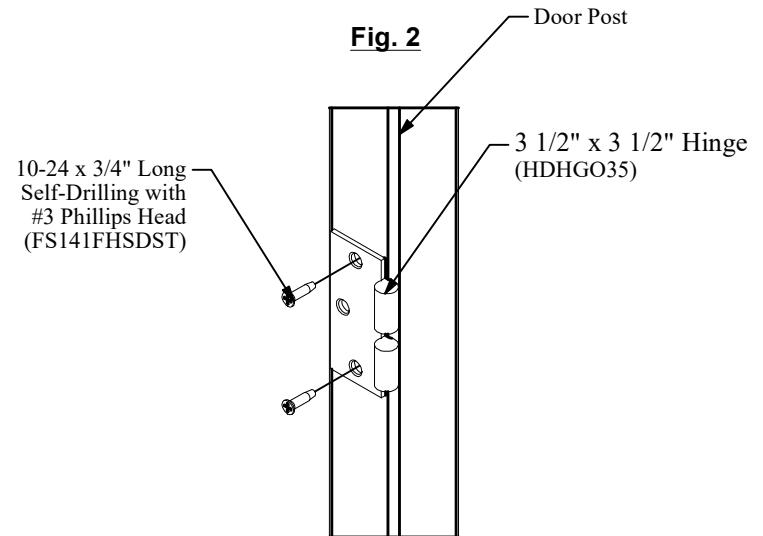
10-24 X 3/4" Self Drilling And Self  
Tapping Screw  
Quantity (2)  
Part# FS1024SDST



**Fig. 1**



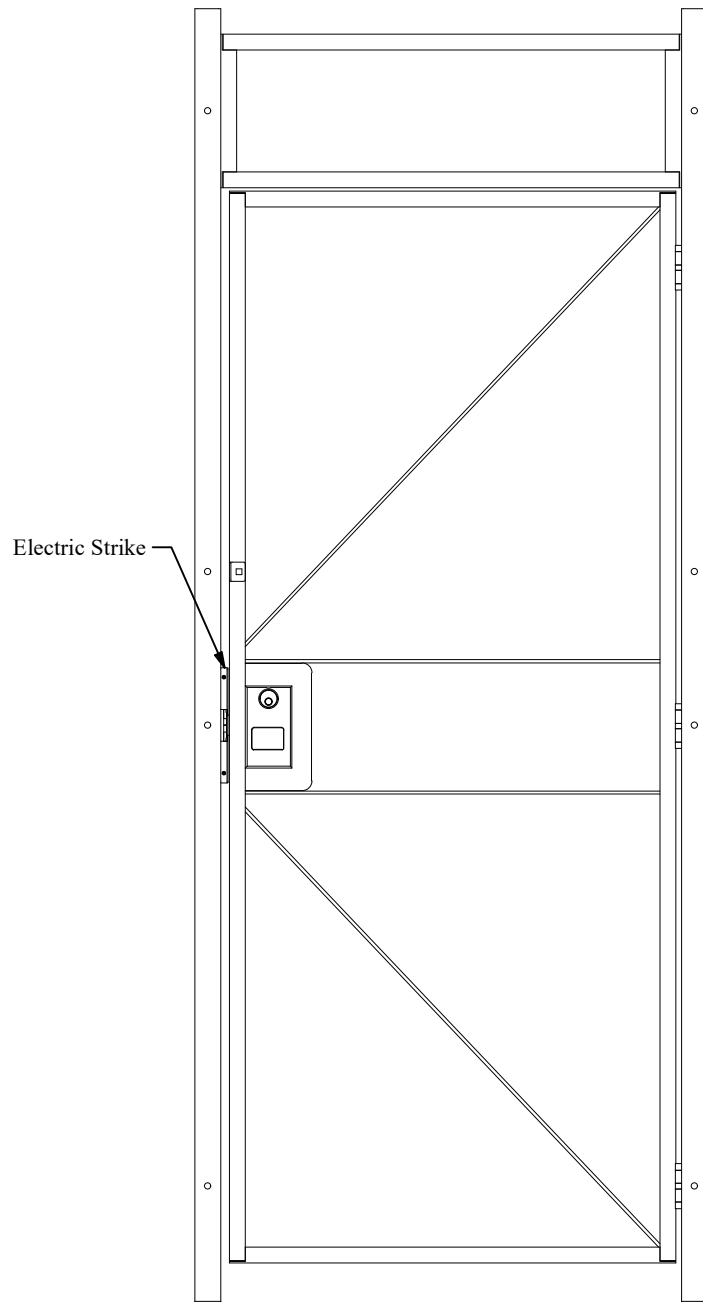
**Fig. 2**



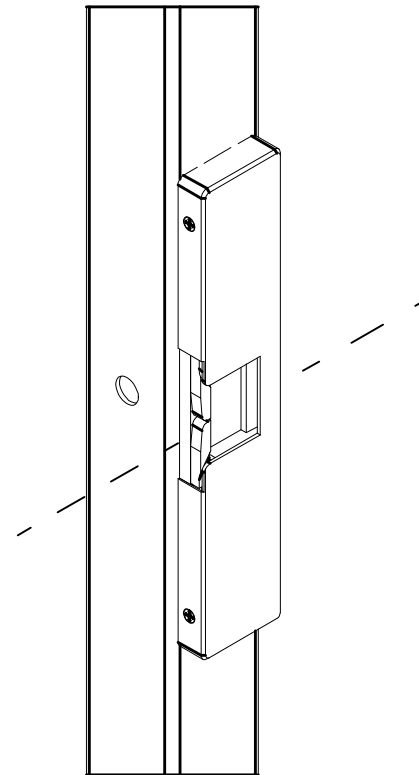
**Fig. 3**

**NOTE**  
If door is Non-Standard height, refer to pg. 6 for hinge locations.

**Step 1.**  
Install door using  $3\frac{1}{2}" \times 3\frac{1}{2}"$  hinges (HDHGO35) and supplied hardware per Fig. 1 - 3 pg. 3.

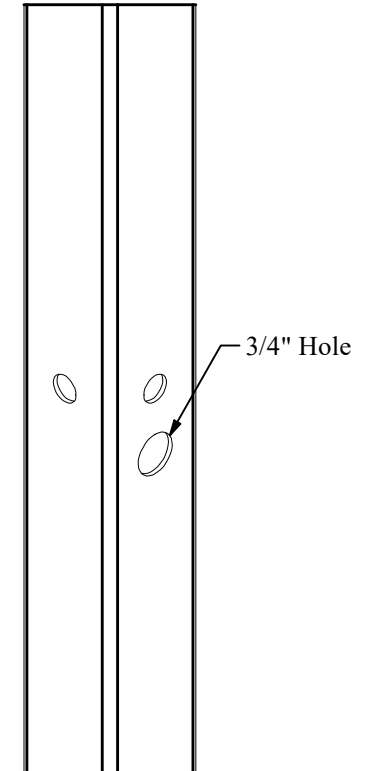


**Fig. 1**



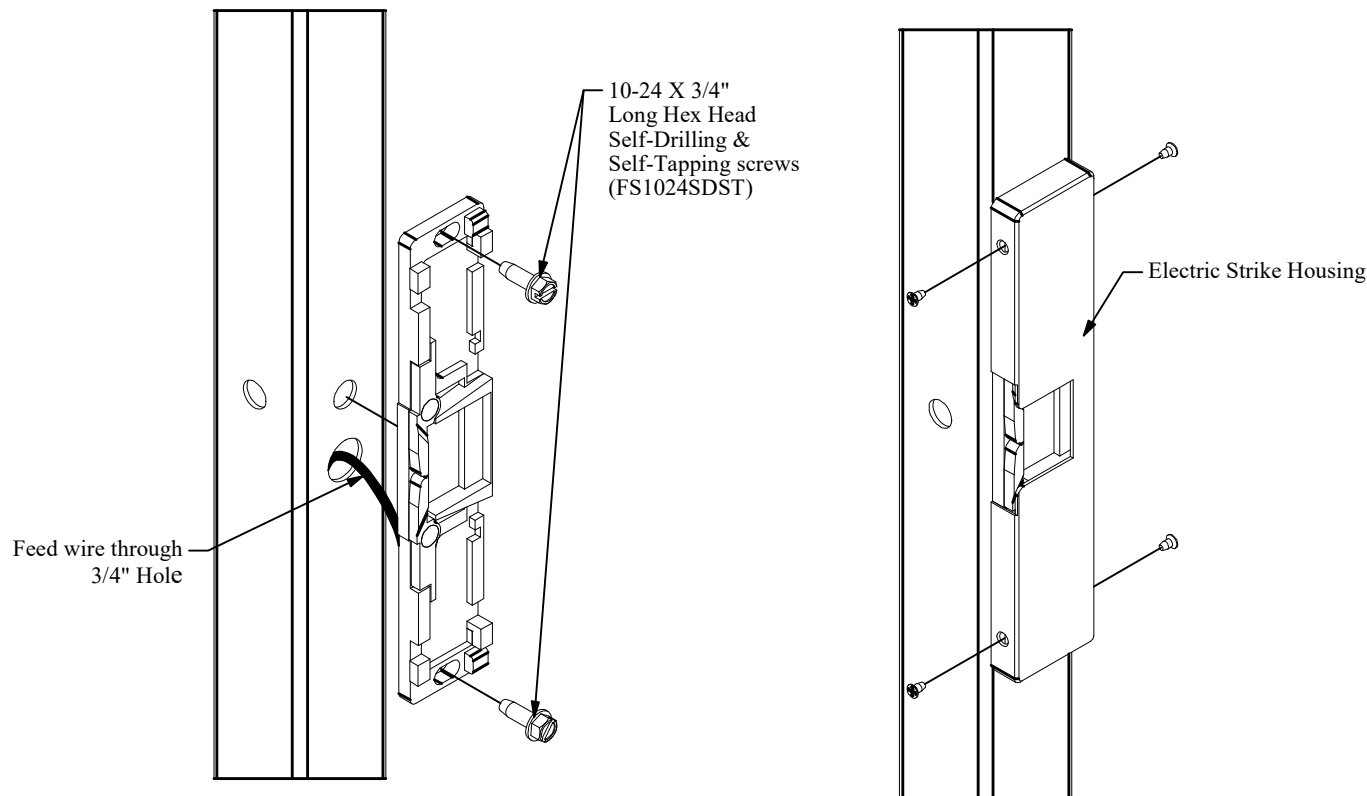
**Fig. 2**

**Step 2.**  
Line up the Electric Strike with the center of the post, the center of the latch, and facing towards the opening of the door. Mark the location on the post.



**Fig. 3**

**Step 3.**  
Drill a 3/4" Dia. hole in receiver post for wire from the Electric Strike. Use supplied template with Electric Strike.



**Fig. 4**

**Step 3.**  
Remove housing from the electric strike by removing four flathead screws on housing. Feed the wire into the 3/4" drilled hole. Install the electric strike with self-drilling screws through the top and bottom slots.

**Fig. 5**

**Step 4.**  
Re-attach the housing using the four flathead screws.

**Fig. 6**

**Step 6.**  
Finished Install of Electric Strike. See WireCrafters Standard Installation Instructions for hinge door pickplate installation.

## NON-STANDARD HEIGHT COMPONENT LOCATION WORK SHEET

All locations are from floor to bottom of component

**Fill in blanks with appropriate Dimensions before starting calculations**

Sweep Space \_\_\_\_\_

Door Leaf Height \_\_\_\_\_

Center Line of Door \_\_\_\_\_ (Divide Door Leaf Height in Half)

Center Line of Tounge Hole in Door Leaf \_\_\_\_\_

Bottom Door Leaf Height \_\_\_\_\_

Top Door Leaf Height \_\_\_\_\_

### Hinge Door Components

Bottom Hinge Location : Sweep Space + 3 1/2" = \_\_\_\_\_

Center Hinge Location : (Sweep Space + Center line of Door) then subtract 1 3/4" = \_\_\_\_\_

Top Hinge Location : (Door Height + Sweep Space) then subtract 7 1/2" = \_\_\_\_\_

Receiver Location : (Center Line of Tongue Hole in Door Leaf + Sweep Space) then subtract 3 1/2" = \_\_\_\_\_

Angle Pick Plate : (Center Line of Tongue Hole in Door Leaf + Sweep Space) then subtract 10" = \_\_\_\_\_

Thanks for using

**WireCrafters**

For more information on **WireCrafters** products please visit our website at [www.wirecrafters.com](http://www.wirecrafters.com)