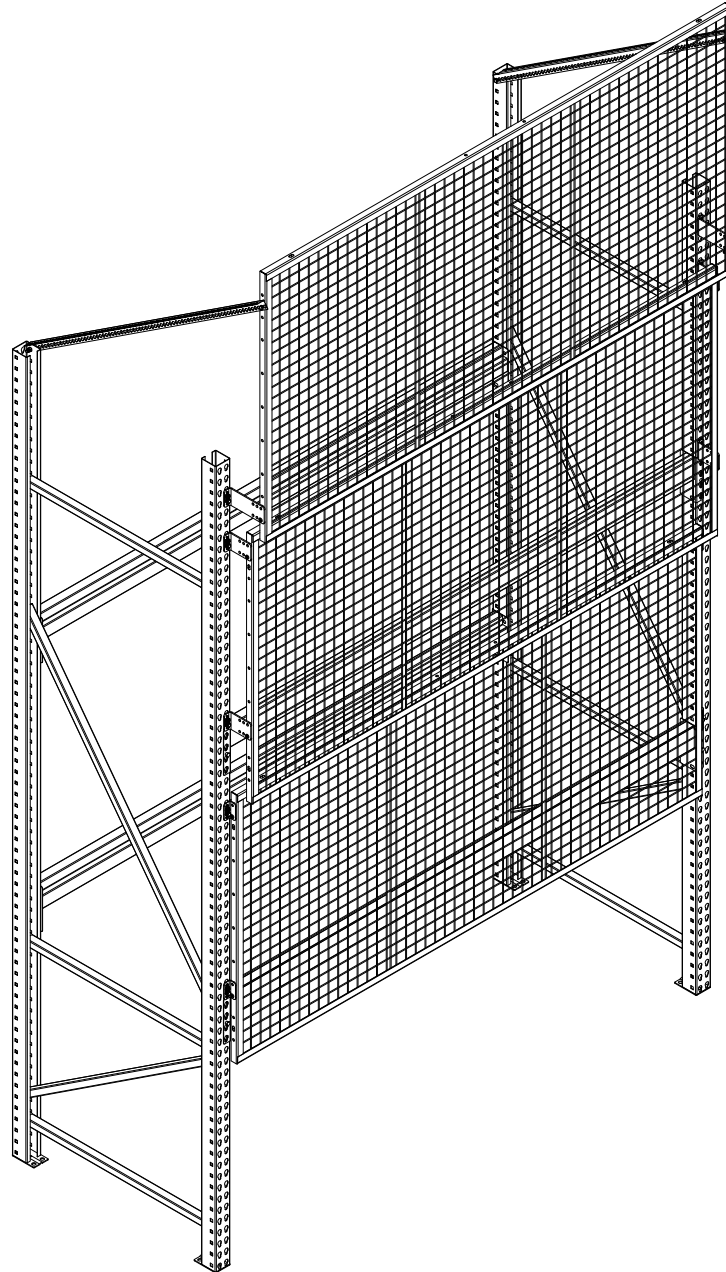


# WireCrafters

## RackBack Installation Instructions



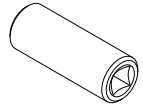
### INCLUDED IN THIS MANUAL

Description	Page
Recommended Tools	2
FastBack Panel Hardware Pack	3
FastBack Panel Installation	4
FastBack Panel Installation Continued	5
Slotted Angle Installation	6
Hinge Door Hardware Pack	7
Hinge Door Installation	8
Hinge Door Installation Continued	9
Hinge Door Installation Continued	10
Slide Door Hardware Pack	11
Slide Door Installation	12
Slide Door Installation Continued	13
Slide Door Installation Continued	14
Slide Door Installation Continued	15
Slide Door Installation Continued	16
Standard Panel Hardware Pack	17
Standard Panel Installation	18
Standard Panel Installation Continued	19
Wire Partition Thank You Page	20

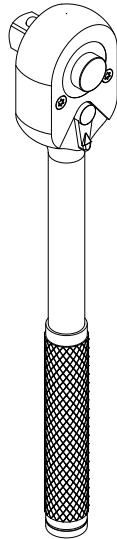
We're Here To Help  
1-800-626-1816

# WireCrafters

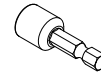
# Recommended Tools



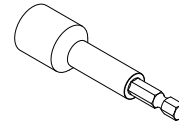
9/16" Socket



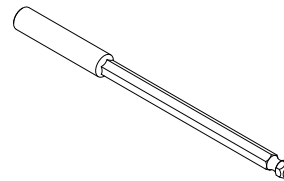
Ratchet



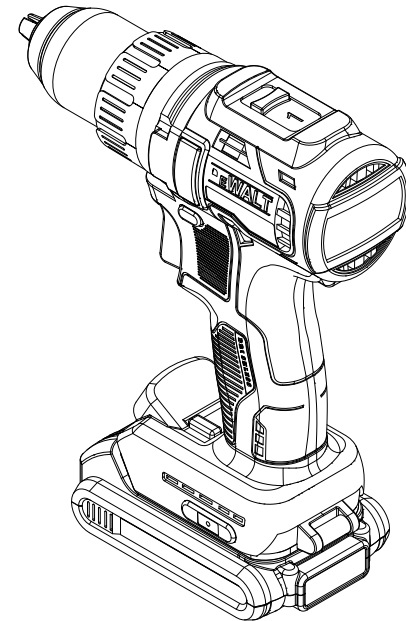
3/8" Nut Driver



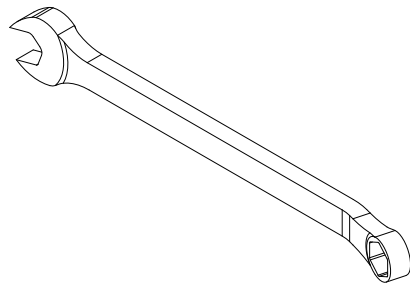
9/16" Nut Driver



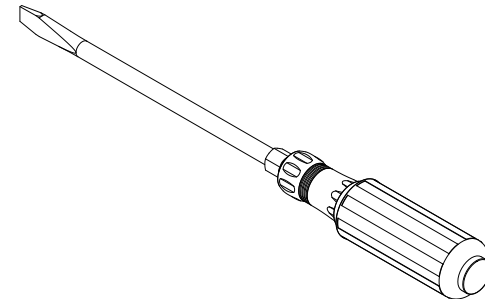
5 7/8" Bit Holder



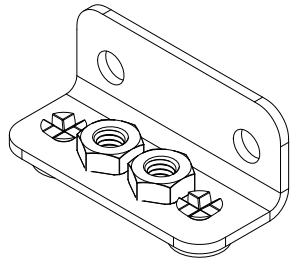
Cordless Drill with Adjustable Clutch



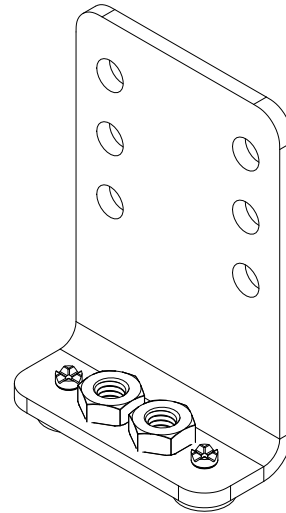
9/16" Open End  
or  
Combination Wrench



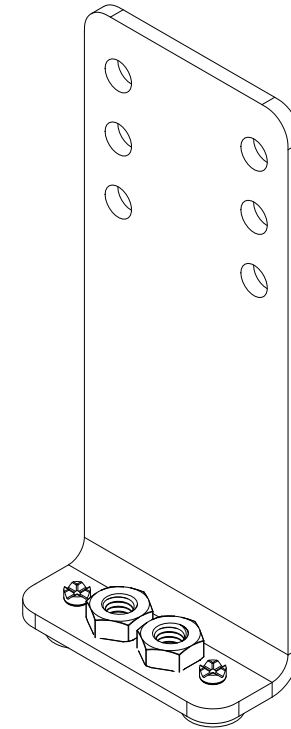
Slotted Screwdriver



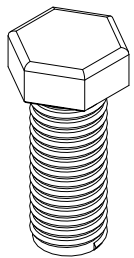
RACKBACK FLSH MNT BKT  
(0 - 1 1/4")  
FB1 (4 / FB1PK)



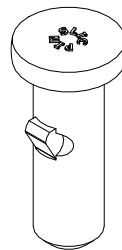
RACK BACK OFFSET MNT BKT  
(2 7/8 TO 3 1/4")  
FB4 (4 / FB4PK)



RACK BACK OFFSET MNT BKT  
(4 3/8 TO 6")  
FB7 (4 / FB7PK)



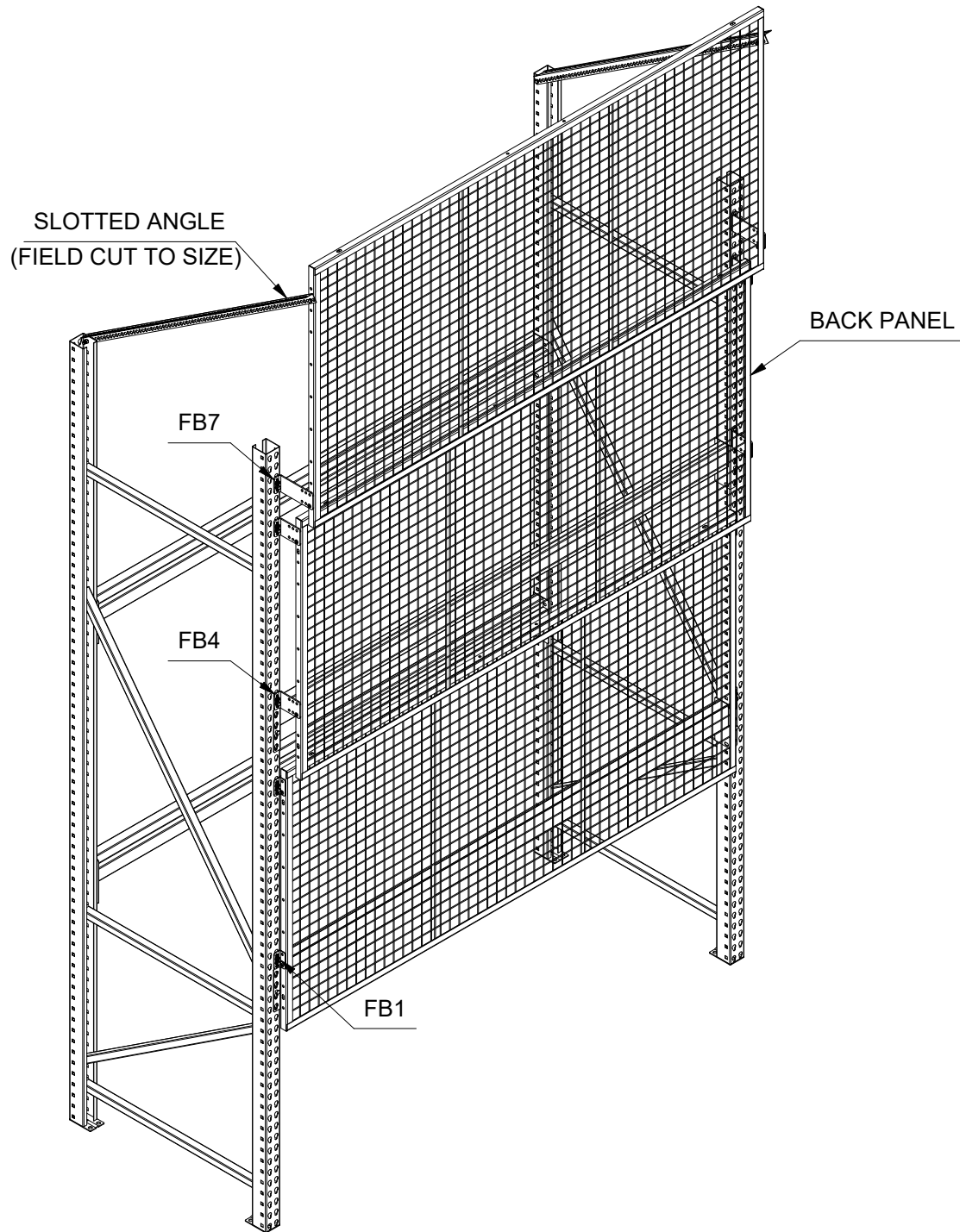
LOCK BOLT  
FS381



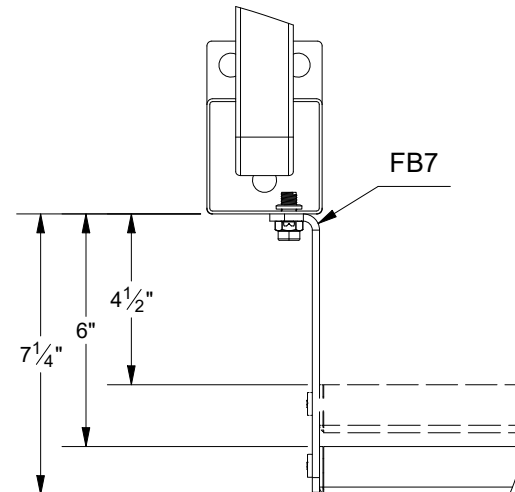
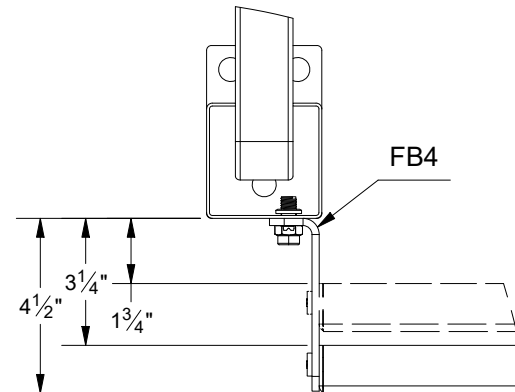
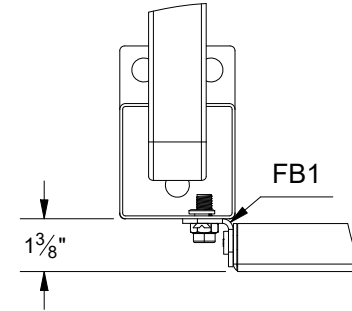
SPRING PIN FOR PANEL ATTACHMENT  
FS38114SP

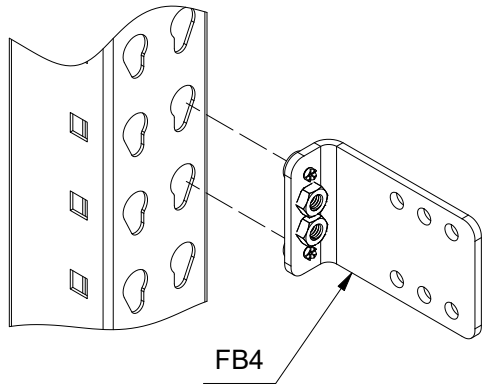
### FBFSPK - Fastener Pack

Qty.	Part Number	Description
4	FS381	3/8"-16 X 1" Hex Head Bolt
6	FS38114SP	3/8 X 1 1/4" SLIC Pin

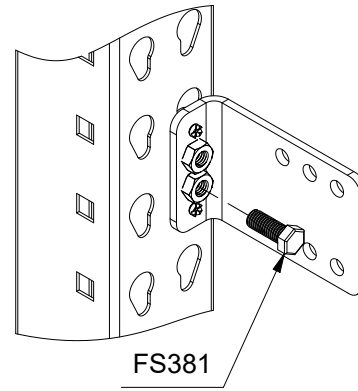


## Offset Ranges

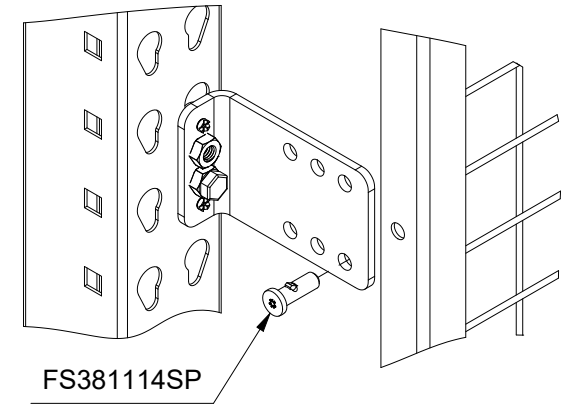




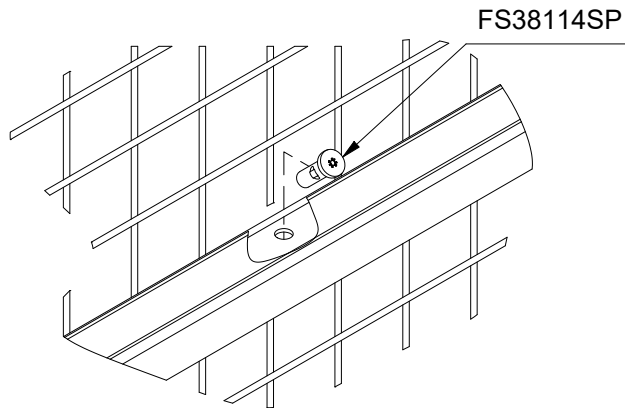
POSITION BRACKET ON  
RACK UPRIGHT



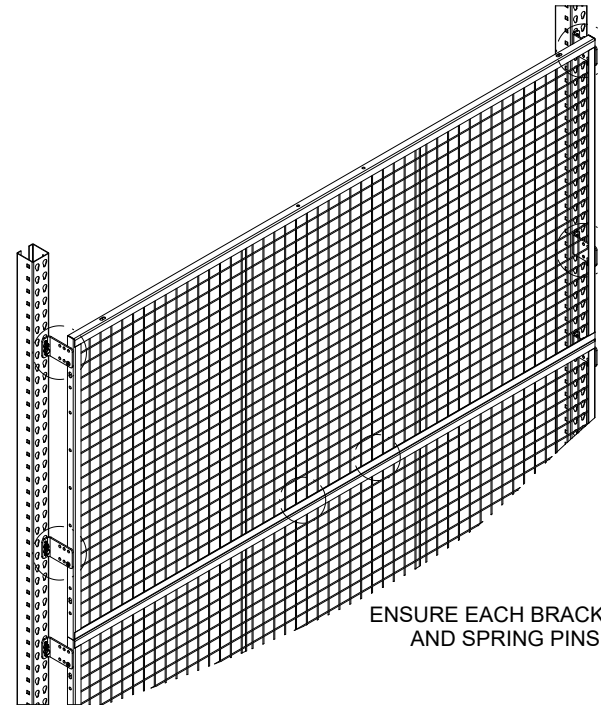
THREAD BOLT THROUGH LOWER  
NUT TO LOCK BRACKET IN PLACE



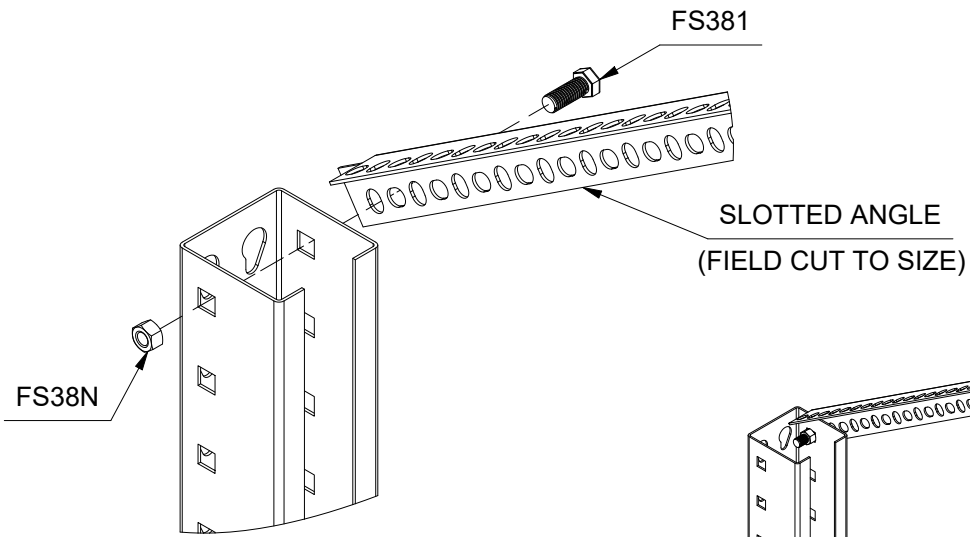
ALIGN PANEL WITH BRACKET AND  
INSERT PIN UNTIL YOU HEAR A CLICK



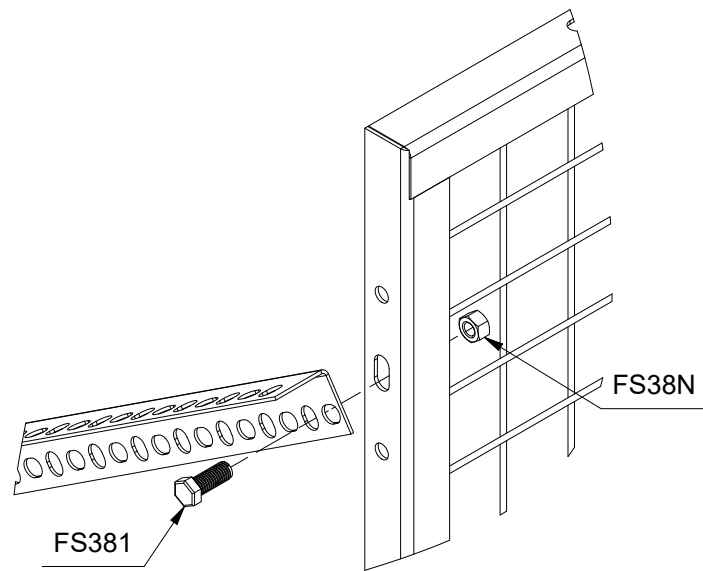
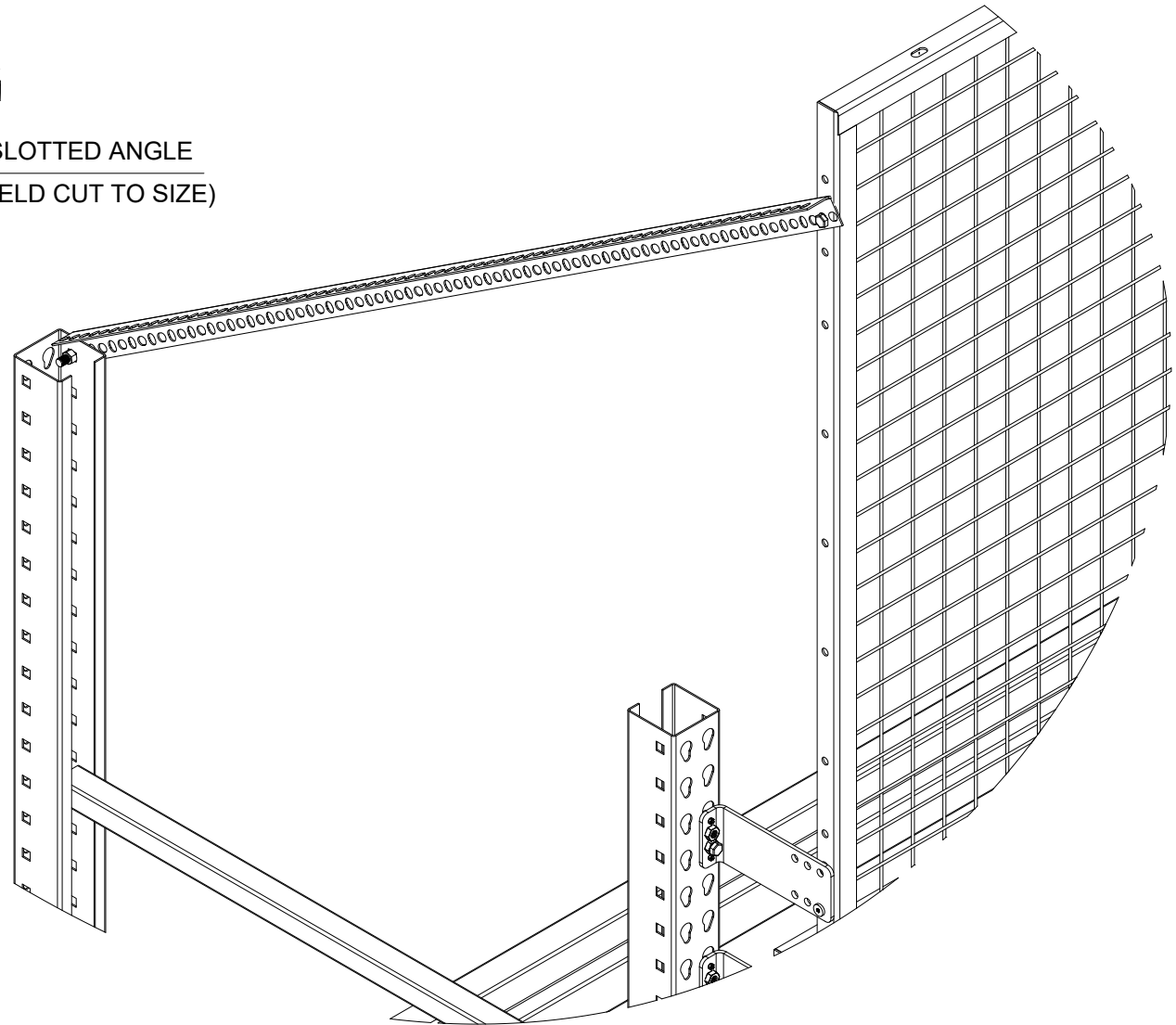
CONNECT UPPER AND LOWER PANELS  
BY INSERTING PROVIDED PINS THROUGH  
ROUND HOLES IN CENTER OF PANELS



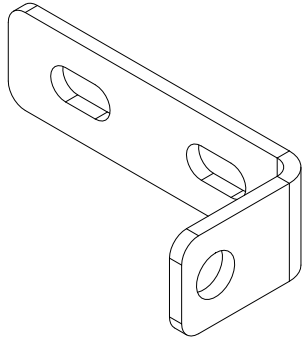
ENSURE EACH BRACKET (4) IS LOCKED IN PLACE  
AND SPRING PINS (6) ARE FULLY SEATED



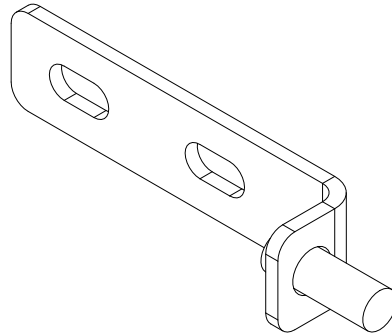
DETAIL  
SLOTTED ANGLE PALLET RACK  
MOUNTING



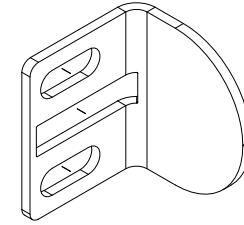
DETAIL  
SLOTTED ANGLE PANEL  
MOUNTING



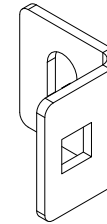
RackBack Hinge Part A  
Quantity (4)  
Part # BRHGA



RackBack Hinge Part B  
Quantity (4)  
Part # BRHGB



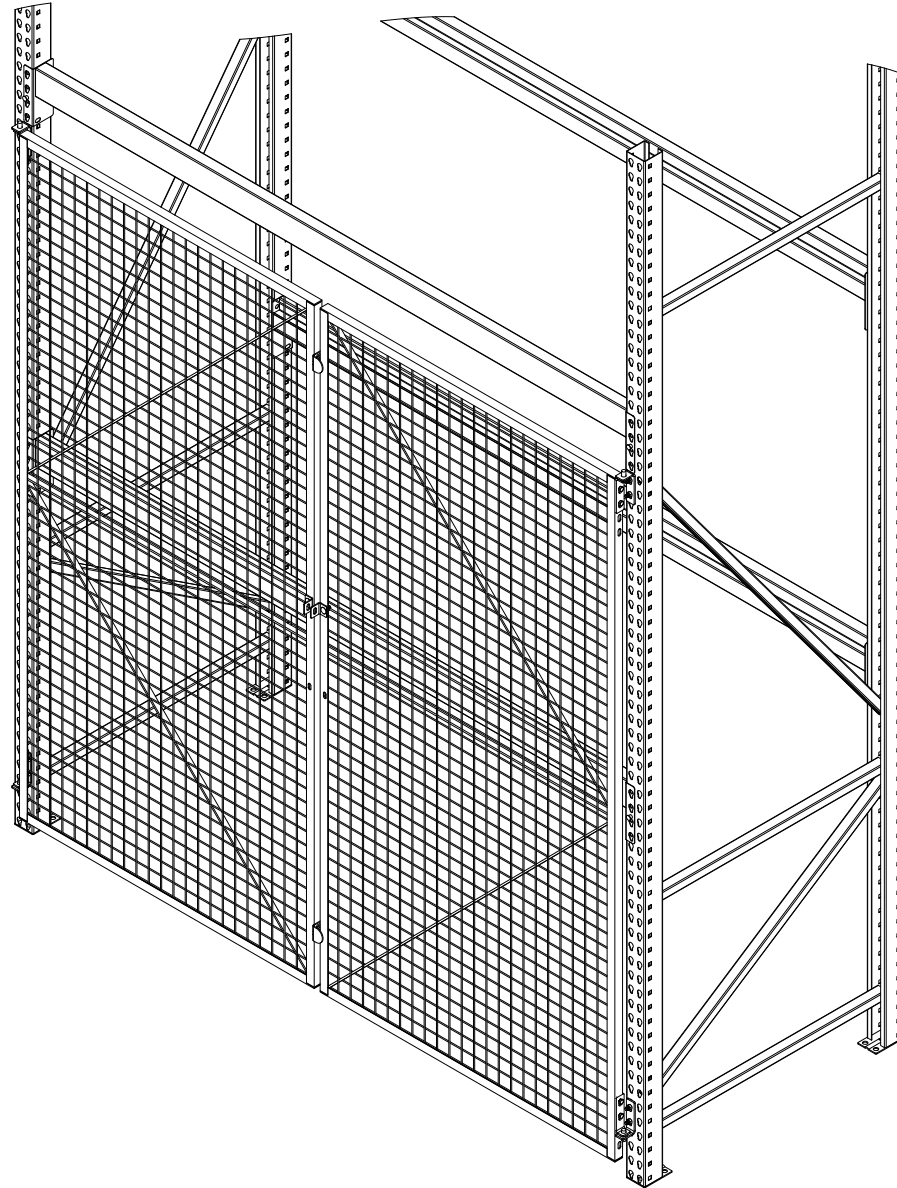
HD Slam Bar Bolt On  
Quantity (2)  
Part # HDSLBRBLTON

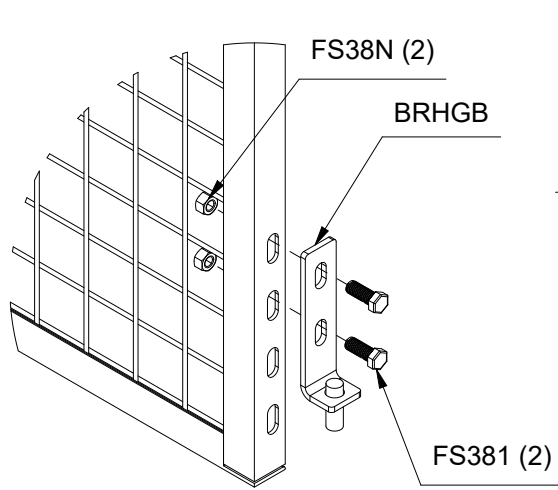


HD Angle Pad Lock Lug  
Quantity (2)  
Part # HDANPLL

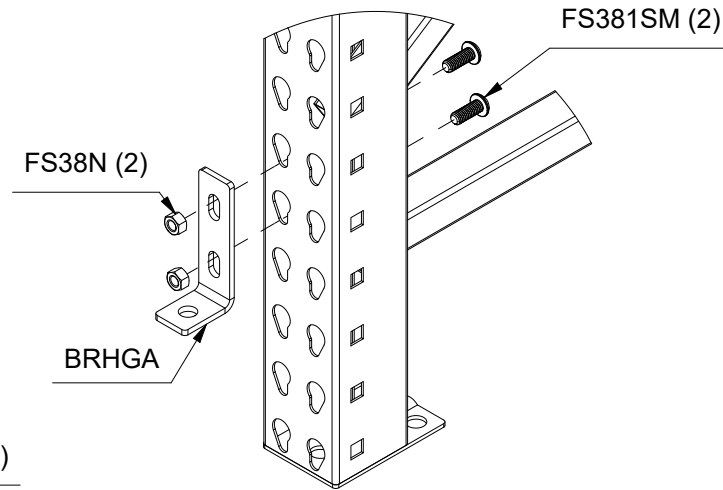
## RDPK - Fastener Pack (Contents Below)

Qty.	Part Number	Description
10	FS381	3/8"-16 X 1" Hex Head Cap Screw
2	FS381CB	3/8" X 1" Carriage Bolt
8	FS381SM	3/8"-16 X 1 Slotted Truss Machine Screw
20	FS38N	3/8"-16 Hex Nut
4	FSBUSH	5/8" Bushing for RackBack Hinge

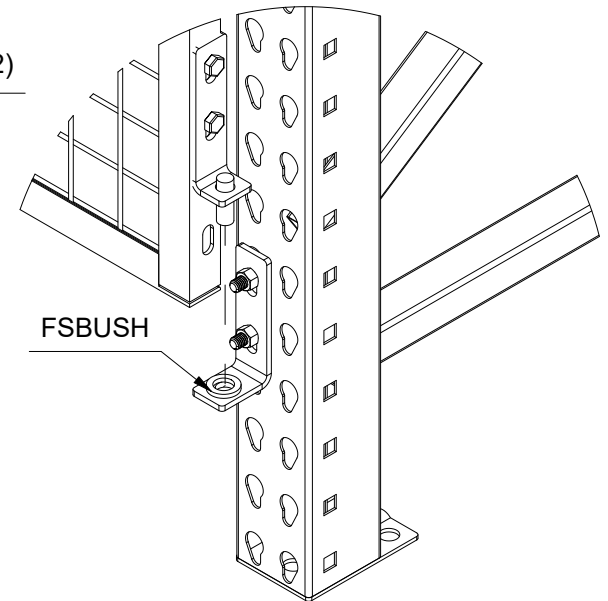




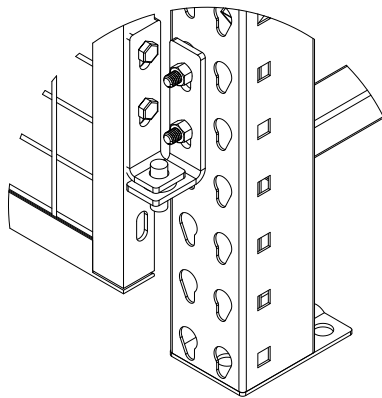
**DETAIL**  
HINGE DOOR HINGE BRACKET  
EXPLODED VIEW



**DETAIL**  
PALLET RACK HINGE BRACKET  
EXPLODED VIEW

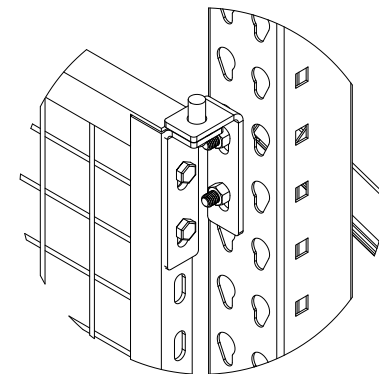


**DETAIL**  
HINGE DOOR MOUNTING



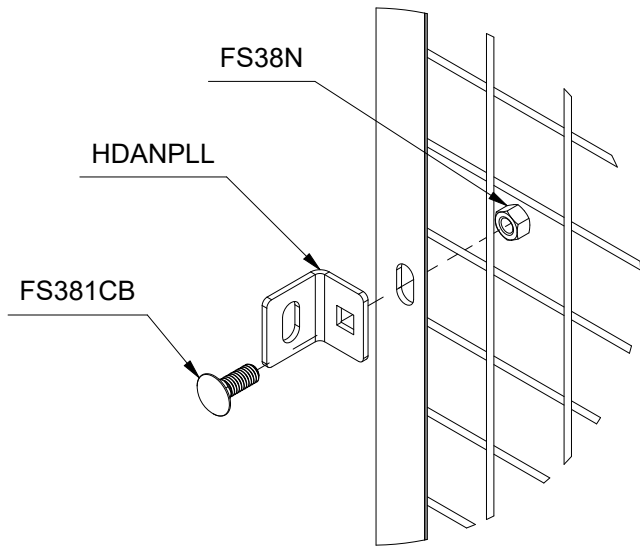
**DETAIL**  
HINGE DOOR BOTTOM HINGE  
ASSEMBLED

Important: BRHGA & BRHGB  
install in opposite orientation.

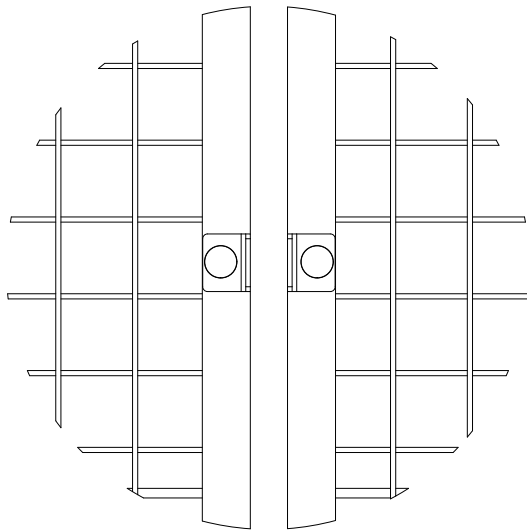


**DETAIL**  
HINGE DOOR TOP HINGE  
ASSEMBLED

## Lock Lug Installation

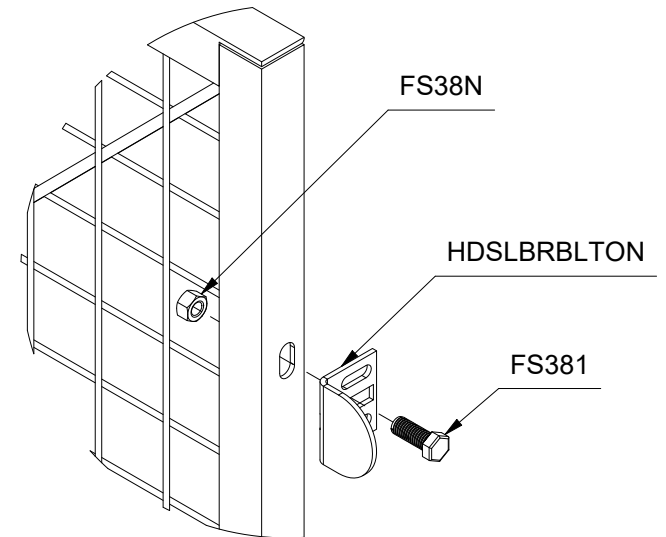


**DETAIL**  
LOCK LUG EXPLODED VIEW

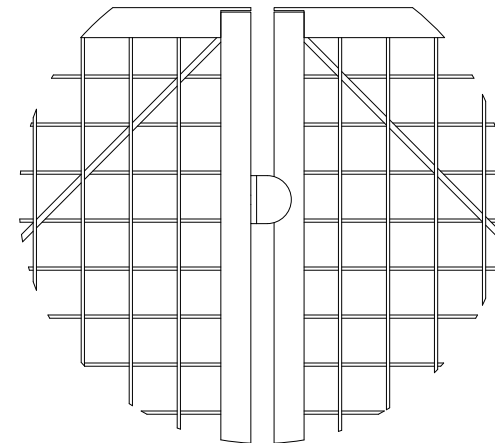


**DETAIL**  
LOCK LUGS FRONT VIEW

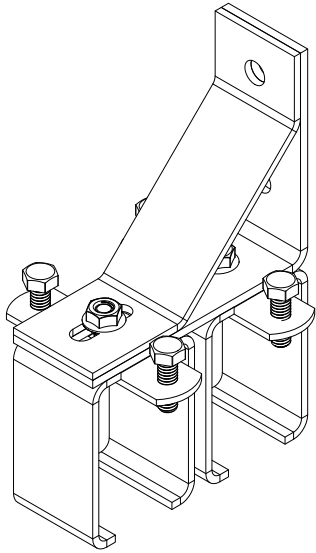
## Slam Bar Installation



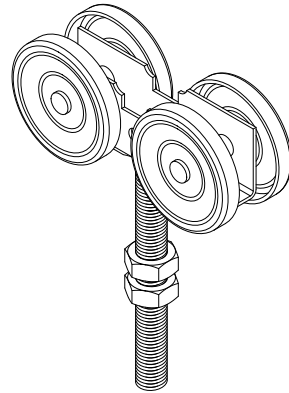
**DETAIL**  
SLAM BAR EXPLODED VIEW  
(TOP & BOTTOM)



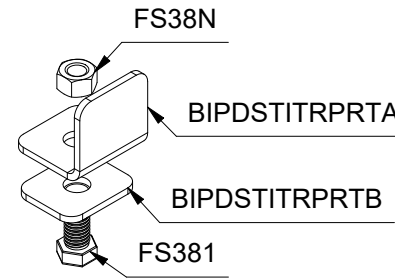
**DETAIL**  
SLAM BAR FRONT VIEW



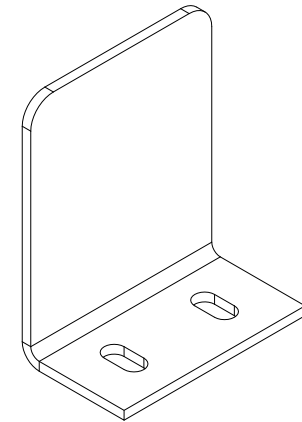
Slide Door Double Track Bracket  
Quantity (2)  
Part # SDDLTRKBKT



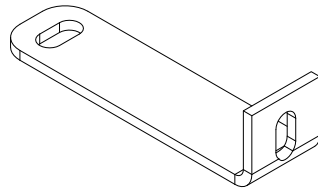
4 Wheel Trolley Truck  
Quantity (4)  
Part # SDTT4WH



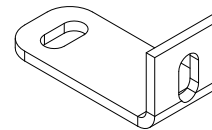
Trolley Stop  
Quantity (2)  
Part # BIPDSTITR  
(Part A & B)



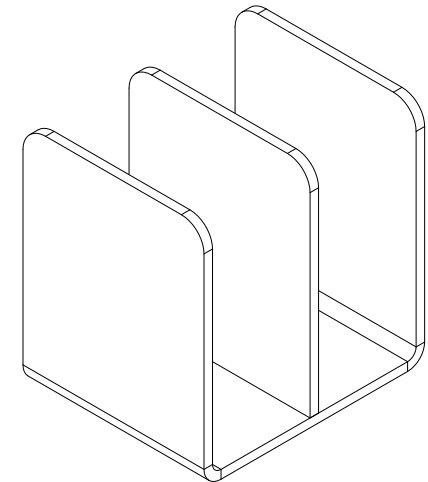
Single Slide Door  
Guide  
Quantity (2)



1 1/2" X 5 5/8" Angle Pad Lock Lug  
Quantity (1)



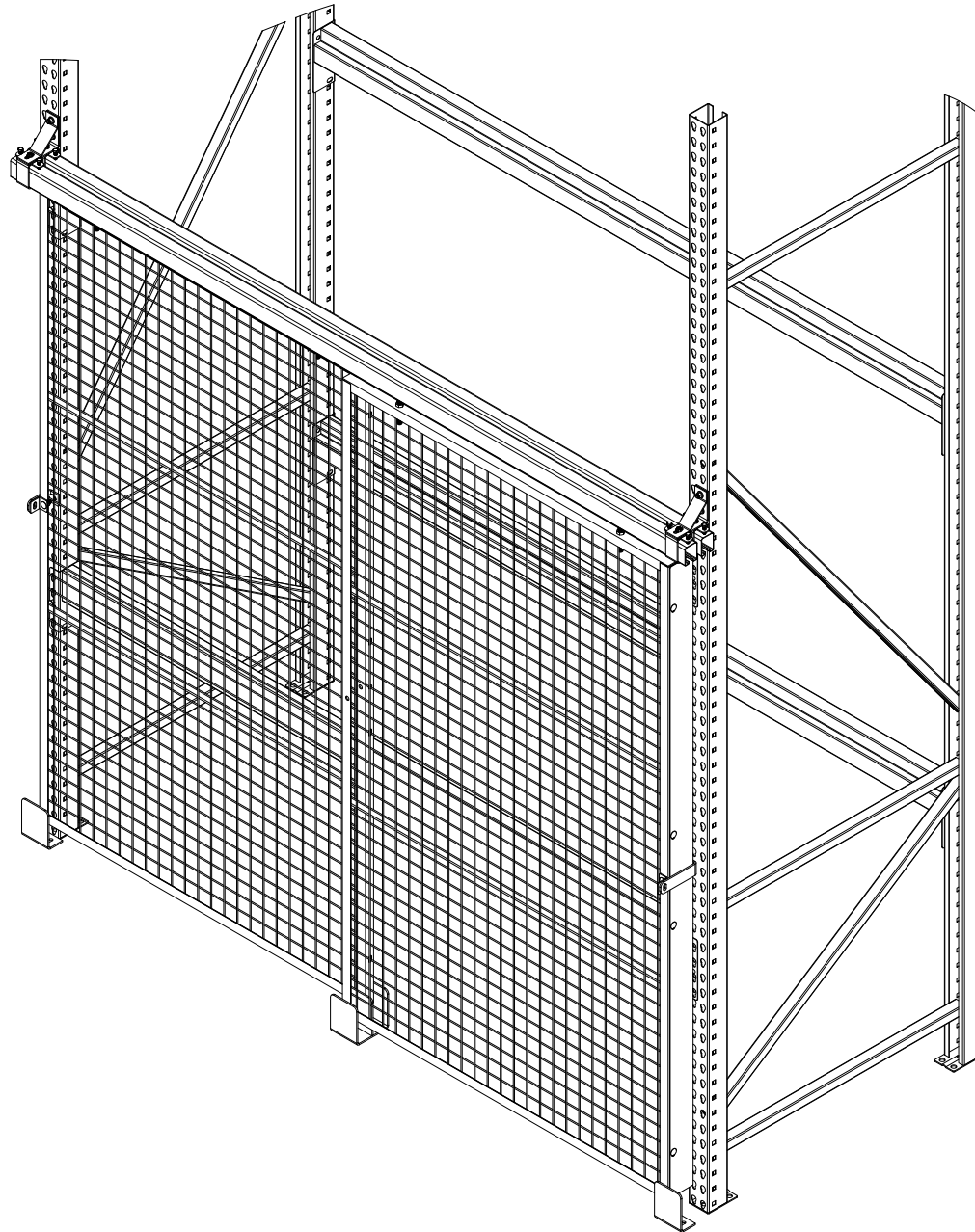
1 1/2" X 3 3/8" Angle Pad Lock Lug  
Quantity (1)

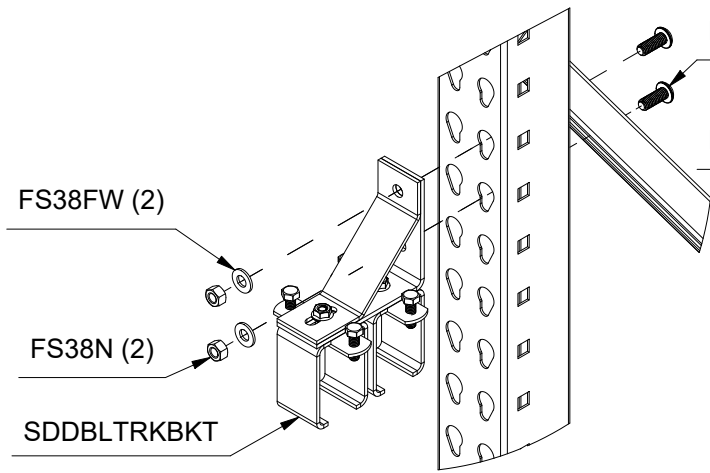


Double Slide Door  
Guide  
Quantity (1)

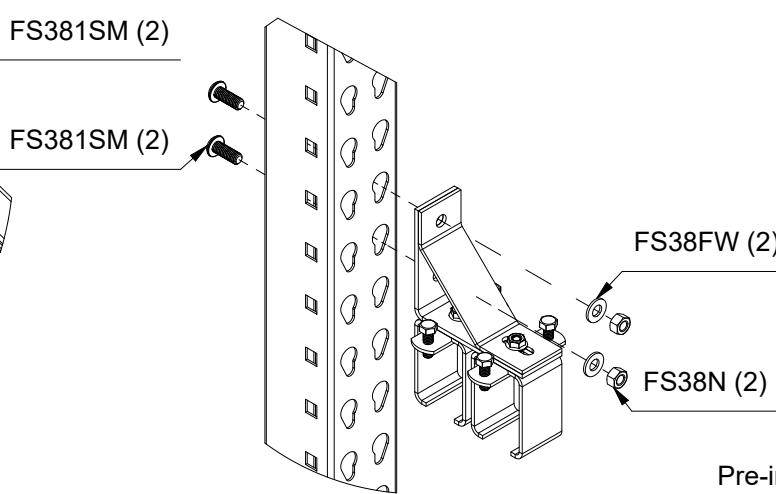
## Fasteners

Qty.	Part Number	Description
8	FS381CB	3/8" X 1" Carriage Bolt
4	FS381SM	3/8"-16 X 1" Slotted Truss Machine Screw
10	FS38FW	3/8" Flat Washer
2	FS38LN	3/8" Lock Nut
20	FS38N	3/8"-16 Hex Nut
6	FS38STA	3/8" Wedge Anchor

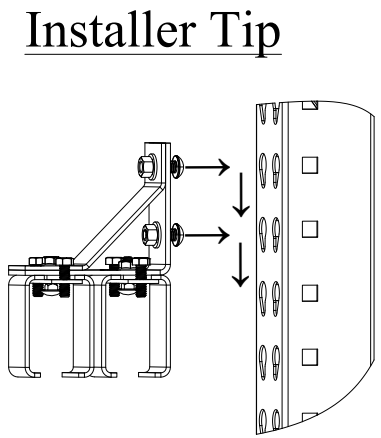




**DETAIL**  
**SLIDE DOOR LEFT DOUBLE TRACK**  
**BRACKET EXPLODED VIEW**



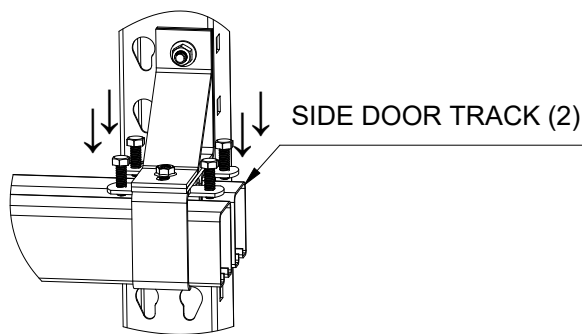
**DETAIL**  
**SLIDE DOOR RIGHT DOUBLE TRACK**  
**BRACKET EXPLODED VIEW**



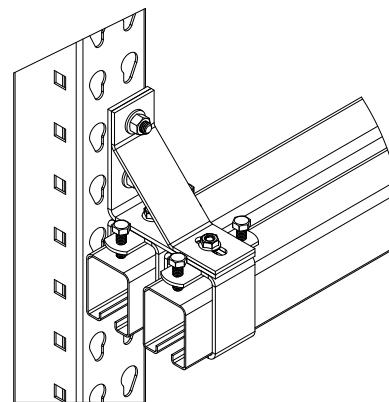
## Installer Tip

Pre-install the hardware to the SDDLTRK BKT. Engage the teardrop with the heads of the FS381SMs, lower into position, and apply outward force while tightening the FS38Ns.

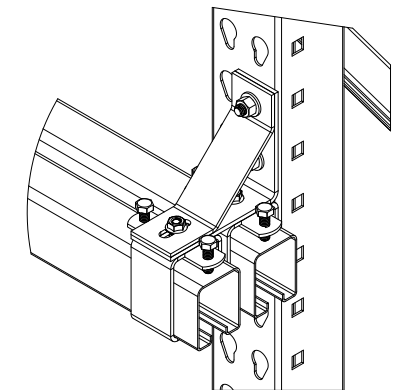
## Installer Tip



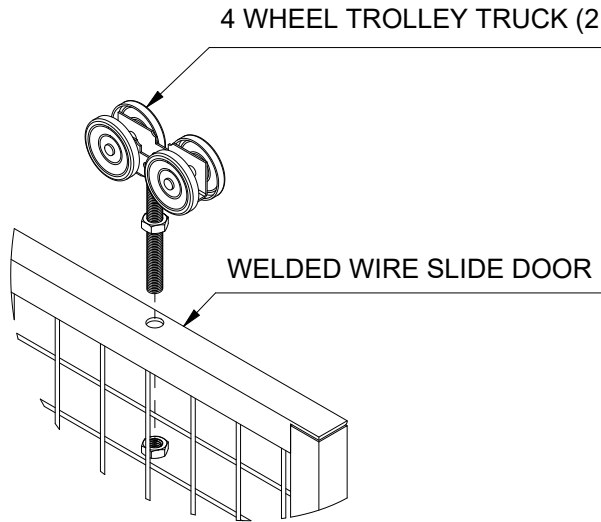
Once the Slide Door Tracks are in position, tighten the four bolts preinstalled onto the bracket.  
 NOTE: the bolts might need to be loosened before installation of the Slide Door Tracks.



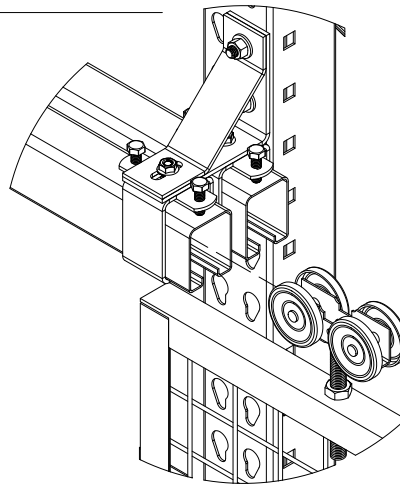
**DETAIL**  
**SLIDE DOOR LEFT BRACKET**  
**W/ SLIDE DOOR TRACKS INSTALLED**



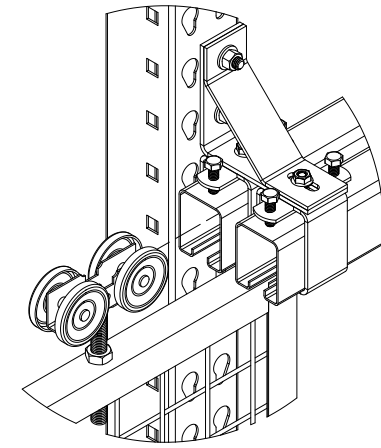
**DETAIL**  
**SLIDE DOOR RIGHT BRACKET**  
**W/ SLIDE DOOR TRACKS INSTALLED**



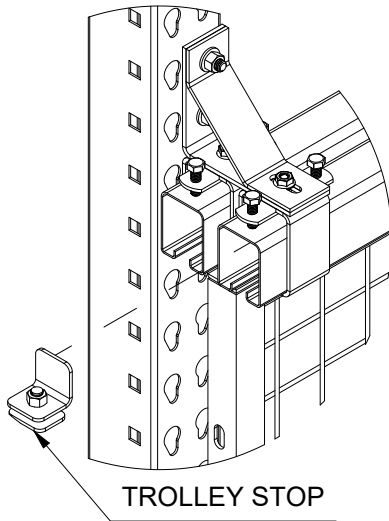
DETAIL  
TROLLEY TRUCK EXPLODED VIEW



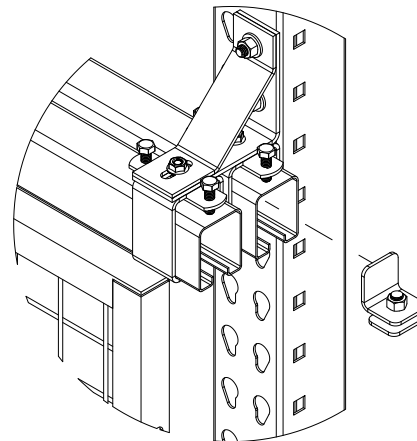
DETAIL  
RIGHT DOOR INSTALLATION



DETAIL  
LEFT DOOR INSTALLATION

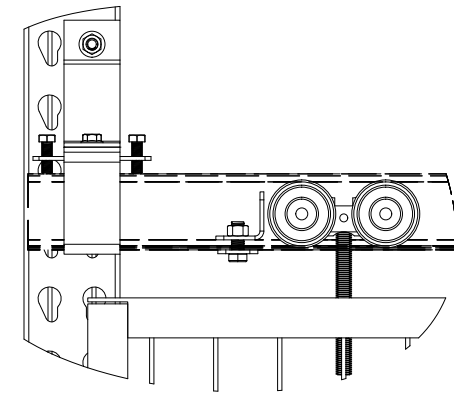


DETAIL  
RIGHT DOOR TROLLEY STOP  
INSTALLATION



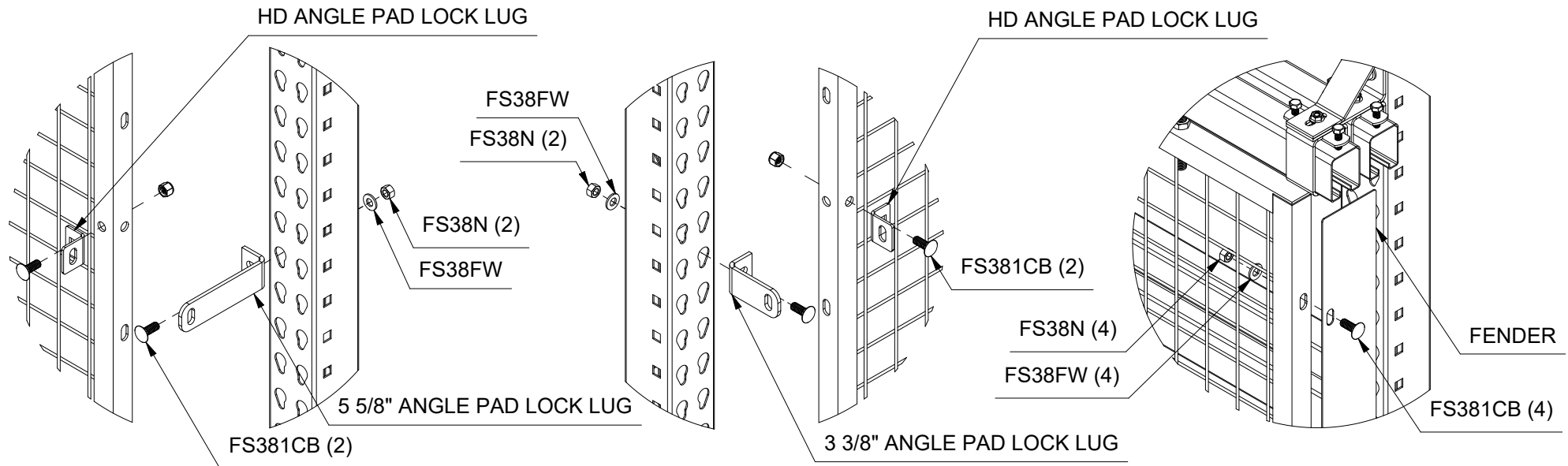
DETAIL  
LEFT DOOR TROLLEY STOP  
INSTALLATION

## Installer Tip



Install the Trolley Stops such that the right door can't exit the channel to the left, and vice versa.  
NOTE: The bolt on the Trolley Stop might need to be loosened to slide into the channel.

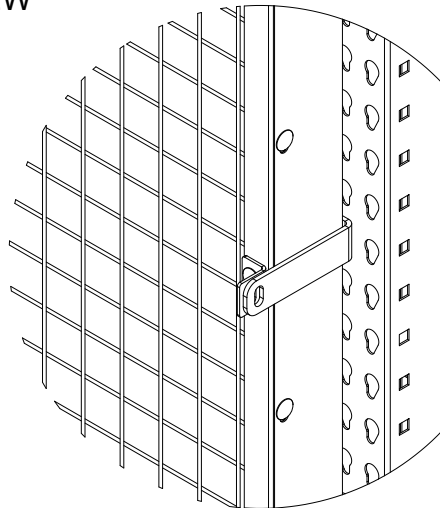
## Lock Lug and Fender Installation



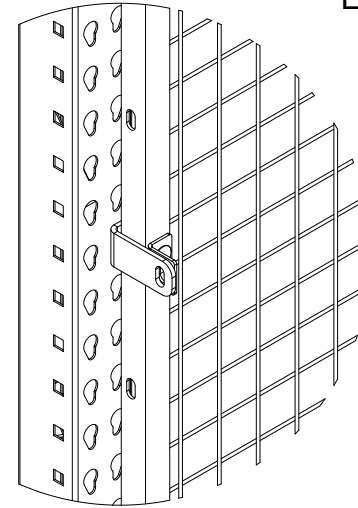
**DETAIL**  
SLIDE DOOR RIGHT LOCK LUGS  
EXPLODED VIEW

**DETAIL**  
SLIDE DOOR LEFT LOCK LUGS  
EXPLODED VIEW

**DETAIL**  
SLIDE DOOR FENDER  
EXPLODED VIEW

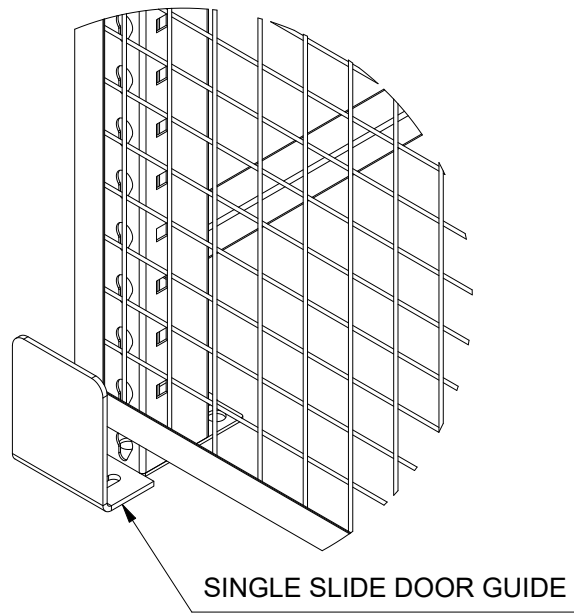


**DETAIL**  
SLIDE DOOR RIGHT LOCK LUGS  
AND FENDER INSTALLED

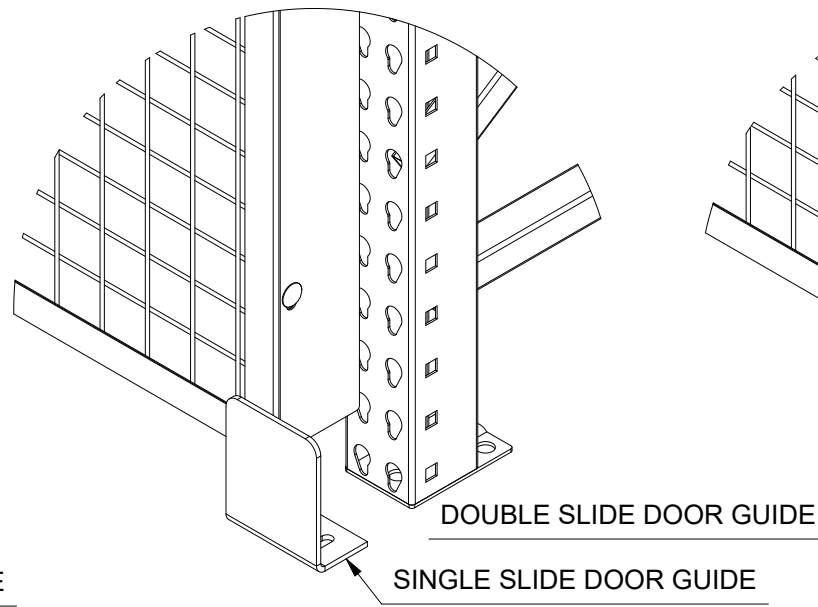


**DETAIL**  
SLIDE DOOR LEFT LOCK LUGS  
INSTALLED

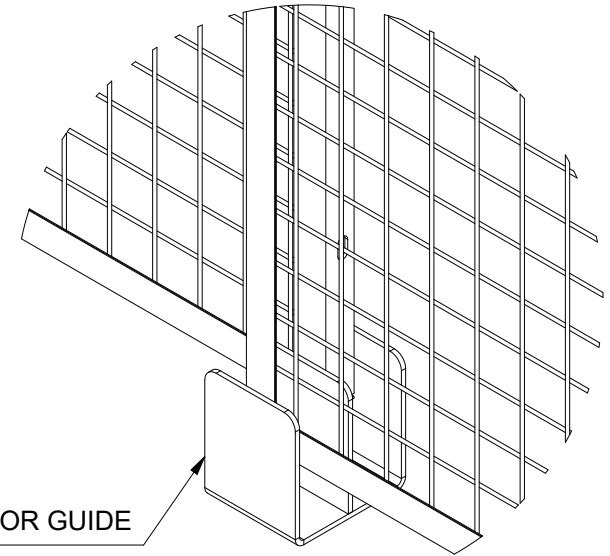
## Slide Door Door Guide Positioning



DETAIL  
LEFT SLIDE DOOR GUIDE  
POSITIONING



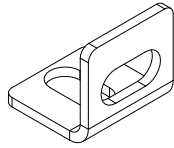
DETAIL  
RIGHT SLIDE DOOR GUIDE  
POSITIONING



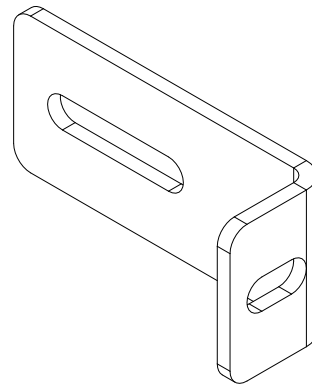
DETAIL  
CENTER SLIDE DOOR GUIDE  
POSITIONING

## Installer Tip

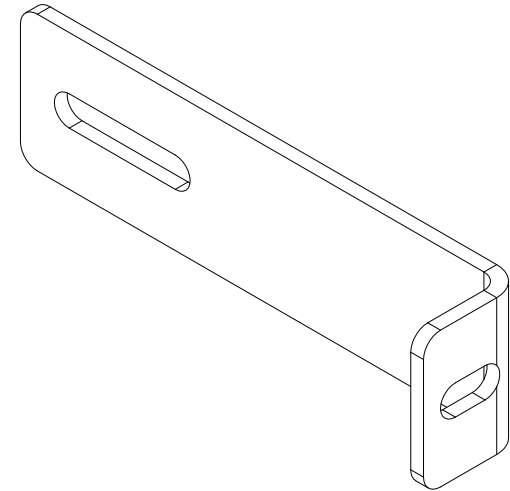
Position Outer Door Guides to provide enough clearance for its corresponding door. Position Center Door Guide to allow clearance for both doors. Use provided wedge anchors to mount.



RACK BACK FLSH MNT BRKT  
(0' - 1 1/4")  
FB1PK (4 / PACK)  
OPANCL114182H



RACK BACK OFFSET MNT BKT  
(2 7/8" TO 3 1/4")  
BR4PK (4 / PACK)  
OPANCL412112



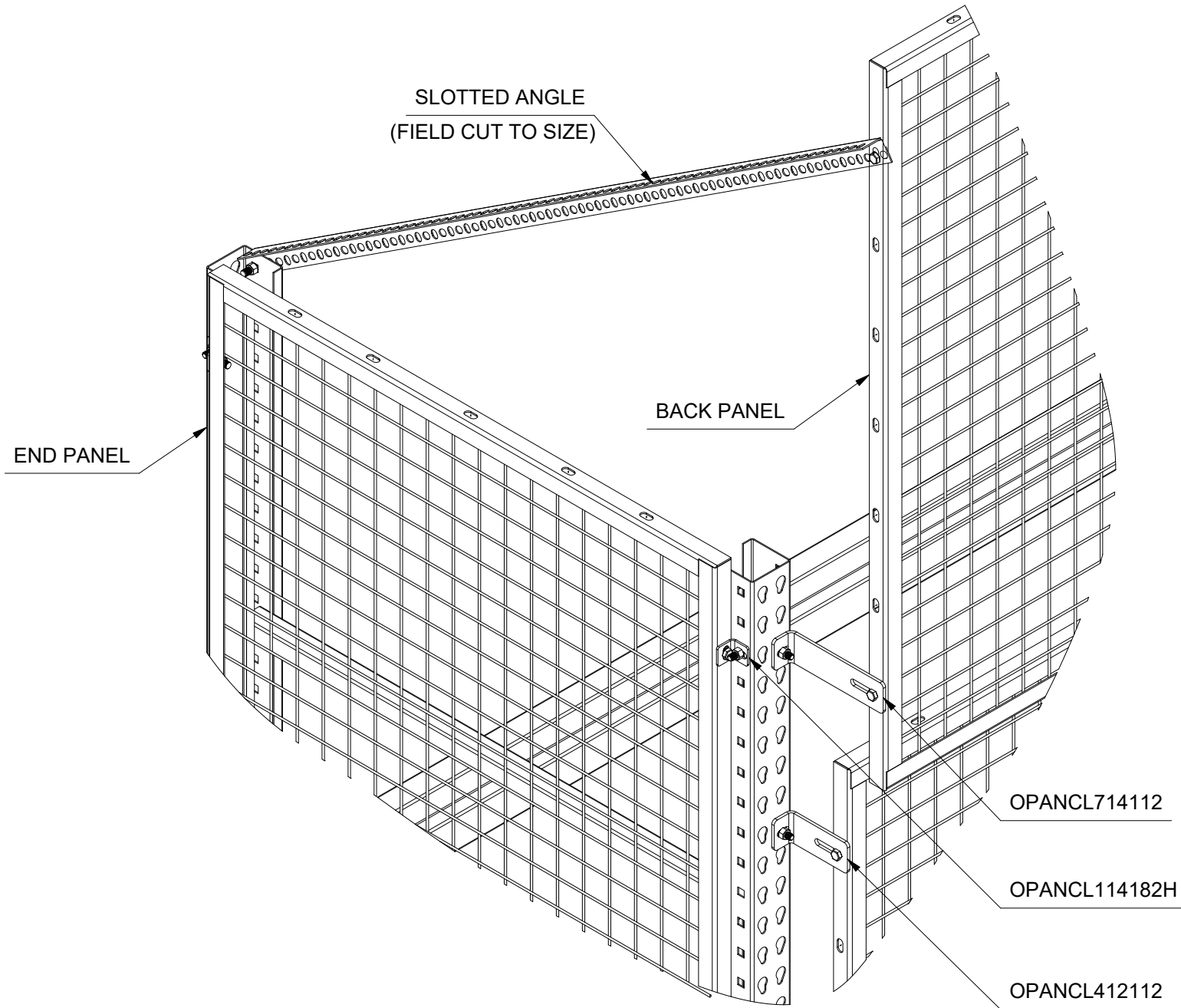
RACK BACK OFFSET MNT BKT  
(4 3/8" TO 6")  
BR7PK(4 / PACK)  
OPANCL714112

## Standard Rack Back Brackets

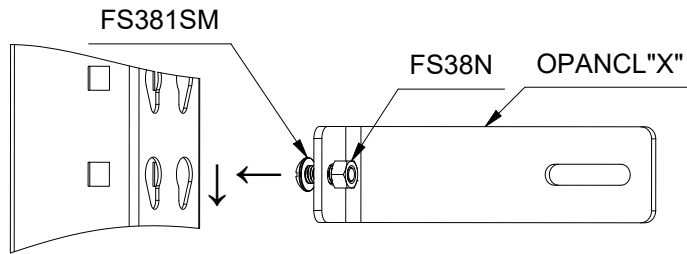
For use with non-teardrop racks

### BRFSPK - Fastener Pack

Qty.	Part Number	Description
2	FS381	3/8"-16 X 1" Hex Head Bolt
2	FS381SM	3/8-16 X 1 Slotted Truss Machine Screw
2	FS38N	3/8-16 Hex Nut

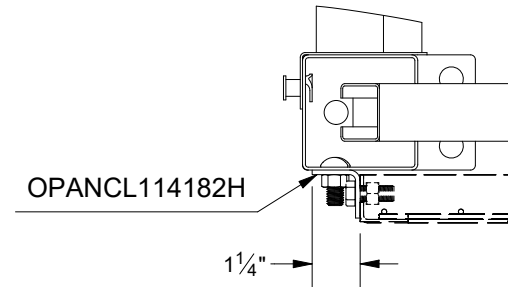


## Installer Tip

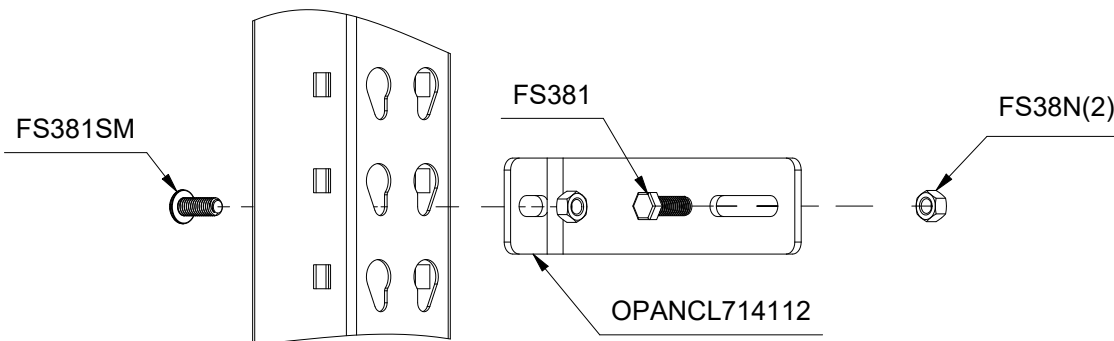
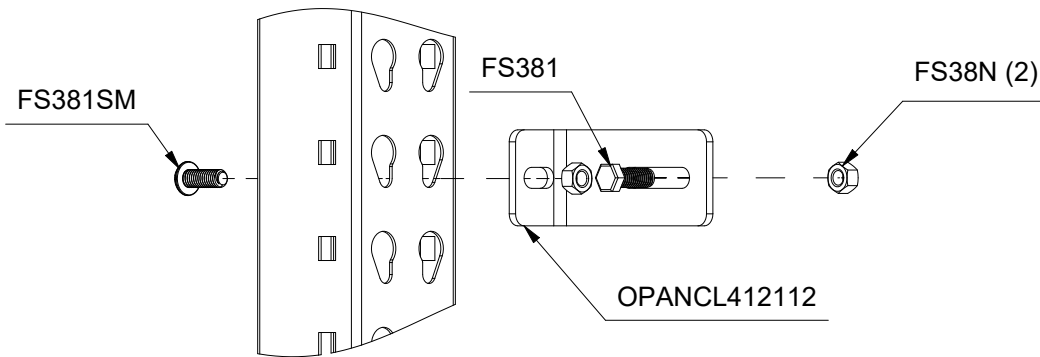
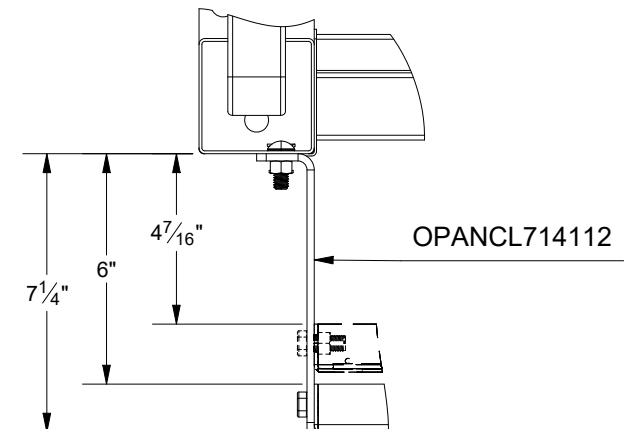
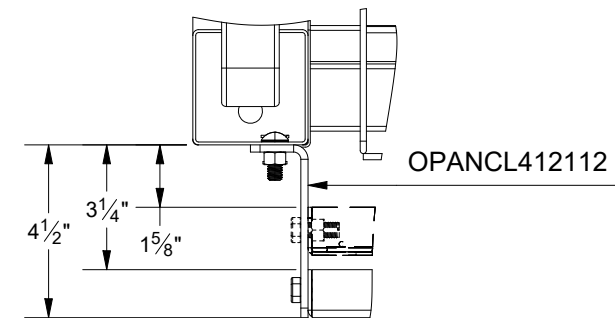


Pre-install the hardware to the OPANCL'X'. Engage the teardrop with the head of the FS381SM, lower into position, and apply outward force while tightening the FS38N.

## End Panel



## Positioning Ranges



Thanks for using

**WireCrafters**

Wire Partition Systems

For more information on WireCrafters products please visit our website at [www.wirecrafters.com](http://www.wirecrafters.com)