

# 3012/3024

## Electric Strike Mechanism

**TRINE**  
ACCESS TECHNOLOGY

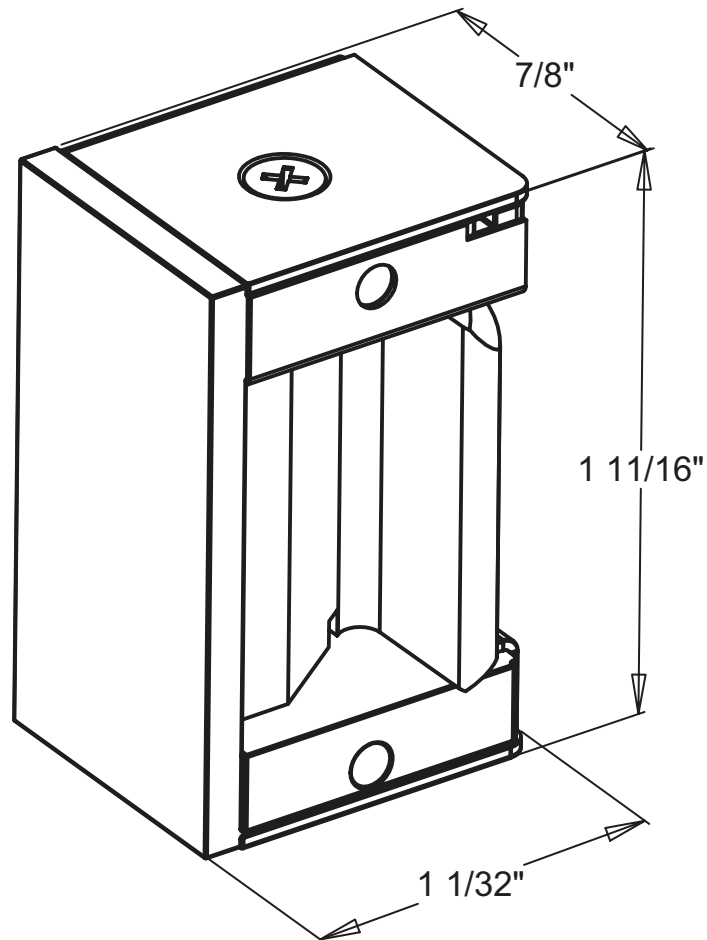
1440 Ferris Place • Bronx • New York • 10461-3699

Telephone Number: (718) 829-2332

Fax Number: (718) 829-6405

Email: [CustomerService@TrineOnline.com](mailto:CustomerService@TrineOnline.com)

Website: [www.TrineOnline.com](http://www.TrineOnline.com)



## 323478LC

**THE UNIVERSAL ANSI SOLUTION**  
Contains a 234-26D faceplate, a 478-32D faceplate, and 30LC



### STANDARDS:

- BHMA - A156.31, 2001
- BHMA, Grade 1 - 3458 & 3478 models
- BHMA, Grade 2 - 3234, 3234W & 3258 models
- Patent #6, 634, 685

### Product

234

234X-375

258

458

478

478LO/478RO

478X-375

334



## MECHANISM BODY

The flexibility to stock mechanisms separately from face plates.



| MODEL | VOLTAGE | FUNCTION    | DUTY   |
|-------|---------|-------------|--------|
| 3012  | 12DC    | Fail Secure | Intrm. |
| 3024  | 24DC    | Fail Secure | Intrm. |



| MODEL | VOLTAGE       | FUNCTION    | DUTY  |
|-------|---------------|-------------|-------|
| 30LC  | 12 - 24 AC/DC | Fail Secure | Cont. |
| 30RS  | 12 - 24 AC/DC | Fail Safe   | Cont. |

Line Conditioner (LC) and Fail Safe (RS) Models come factory assembled.

\* 3012 and 3024 not to be used with separate LC-100.

### GRADE 1 Electric Strikes

- 500,000+ life cycles
- Dynamic Force 70 ft/lb
- Micro solenoid assembly
- Fail secure standard (unlocks with power)
- Latch spacer increases cavity depth 1/16"
- 1,500+ lbs. holding force (1,200 lbs - 334, 3234W)
- Solid cast stainless steel latch
- Non-handed (excepts 3458, 3478 offset)
- Optional Fail safe - "RS" (locks with power)

| VOLTAGE | CURRENT/AMPS | OHMS | DUTY   | SOUND  | WIRE COLOR | MODEL |
|---------|--------------|------|--------|--------|------------|-------|
| 12VDC   | .480         | 25   | Intrm. | Silent | Blue       | STD.  |
| 24VDC   | .240         | 100  | Intrm. | Silent | White      | STD.  |

| LC/RS | PULL IN/HOLD AMPS | OHMS | DUTY         | SOUND  | WIRE COLOR | MODEL |
|-------|-------------------|------|--------------|--------|------------|-------|
| 12VDC | .743/.298         | 13   | Intrm./Cont. | Silent | Red        | LC    |
| 12VAC | .715/.277         | 13   | Intrm./Cont. | Silent | Red        | LC    |
| 24VDC | .397/.170         | 13   | Intrm./Cont. | Silent | Red        | LC    |
| 24VAC | .378/.173         | 13   | Intrm./Cont. | Silent | Red        | LC    |

### Application

For new or replacement installations in metal frames. Use with cylindrical locksets with up to 5/8" throw, based on 1/8" door gap.

Standard ANSI prep features an extended ramp to accommodate additional frame face of Timely or RediFrame. Ramp is extended 3/8". For new or replacement installations. Use with cylindrical locksets and deadlatches having up to 5/8" throw, based on 1/8" door gap.

**80% LESS FRAME CUTTING** when compared to typical 4 7/8" electric strike installations. For new or replacement installations in aluminum frames. Use with 4510, 4710 & 4750 Adams Rite dead latches. Replaces 4502 strike plate with slight frame modification.

**80% LESS FRAME CUTTING.** Fills the frame preparation of Adams Rite MS Locks without relocating tabs for 6 7/8" electric strikes. For new or replacement installations in aluminum frames. Replaces Adams Rite 4730/4501 strike plate with slight frame modification.

**60% LESS FRAME CUTTING** for ANSI 4 7/8" pre-prep frames. For new or replacement installations in wood, metal or aluminum frames. Use with cylindrical locksets having up to 5/8" throw, based on 1/8" door gap.

**60% LESS FRAME CUTTING** of Frame Face for ANSI 4 7/8" pre-prep frames. For new or replacement installations in wood, metal or aluminum frames. The strike opening on this face plate is offset by 3/16" the center to accommodate door sag.

Frame features an extended ramp to accommodate additional frame face of Timely/Redi-Frame. Ramp is extended 3/8". For new or replacement installations. Use with cylindrical locksets and deadlatches having up to 5/8" throw, based on 1/8" door gap.

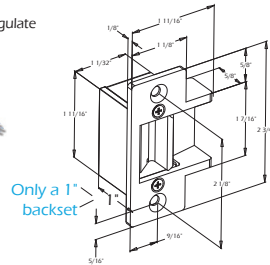
For new or replacement installations in wood frames. Use with cylindrical locksets with up to 5/8" throw, based on 1/8" door gap.

LC-100 Models - utilize an external line conditioner module to regulate input voltages, 12-24 AC or DC, and conditions the output for the pull-in activation period. Then reduces holding voltage output for continuous operation.



### OPTIONS:

- Piezo - Buzzer for "Standard Models"
- BZ-12 Audible buzzer for 12DC power
- BZ-24 Audible buzzer for 24DC power
- Piezo - Buzzer for "LC Models"
- BZ-6 Audible buzzer for 6DC power



### Specifications

ANSI 2 3/4" Standard • Face Plate 2-3/4" x 1-1/8" • Mortise Backset 1" Cavity Depth 1/2" • Cavity Width 5/8" • Cavity Height 1 1/8"

ANSI 2 3/4" Standard • Face Plate 2-3/4" x 1-1/8" • Mortise Backset 1" Cavity Depth 1/2" • Cavity Width 5/8" • Cavity Height 1 1/8"

\*Great for wood doors with molding \*

Face Plate 2-3/4" x 1-1/8" • Mortise Backset 1" • Cavity Depth 1/2" Cavity Width 5/8" • Cavity Height 1 1/8"

Face Plate 4-5/8" x 1-9/16" • Mortise Backset 1" • Cavity Depth 1/2" Cavity Width 5/8" • Cavity Height 1 1/8"

ANSI A115.1 slight frame modification • Face Plate 4-7/8" x 1-1/4" Mortise Backset 1" • Cavity Depth 1/2" • Cavity Width 5/8" Cavity Height 1 1/8"

Face Plate 4 7/8" x 1-1/4" • Mortise Backset 1" • Cavity Depth 1/2" Cavity Width 5/8" • Cavity Height 1 1/8"

ANSI A115.1 slight frame modification • Face Plate 4-7/8" x 1-1/4" Mortise Backset 1" • Cavity Depth 1/2" • Cavity Width 5/8" Cavity Height 1 1/8"

\*Great for wood doors with molding \*

Face Plate 3-3/4" x 1-1/4" • Mortise Backset 1" • Cavity Depth 1/2" Cavity Width 5/8" • Cavity Height 1 1/8"

### Finishes

234-3 - Bright Brass    234-4 - Satin Brass  
234-10B - Dark Bronze    234-26D - Satin Chrome

234X-3 - Bright Brass  
234X-10B - Dark Bronze  
234X-26D - Satin Chrome

258-10B - Dark Bronze  
258-26D - Satin Chrome

458-10B - Dark Bronze    **MUST SPECIFY LEFT OR RIGHT HAND**  
458-32D - Satin Stainless

478-3 - Bright Brass    478-26 - Bright Chrome  
478-4 - Satin Brass    478-32D - Satin Stainless  
478-10B - Dark Bronze

478-10B - Dark Bronze    **MUST SPECIFY LEFT OR RIGHT HAND (LO or RO)**  
478-26 - Bright Chrome  
478-32D - Satin Stainless

478X-3 - Bright Brass  
478X-10B - Dark Bronze  
478X-32D - Satin Stainless

334-3 - Bright Brass    334-26D - Satin Chrome  
334-4 - Satin Brass

# THE 3000 SERIES

## Frame Preps

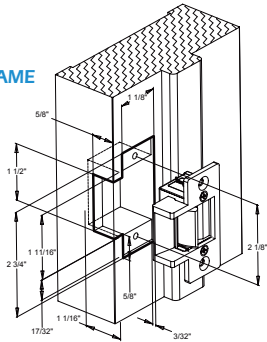


# THE 3000 SERIES

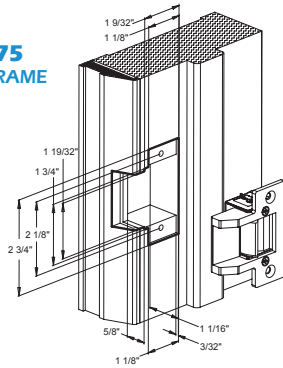
## Smallest Strikes in the World

FOR ADDITIONAL FRAME PREPS AND DIMENSIONS GO TO: [WWW.TRINEONLINE.COM](http://WWW.TRINEONLINE.COM)

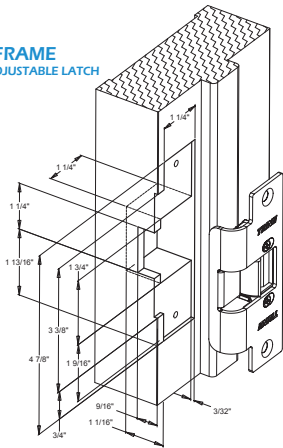
**234**  
WOOD FRAME



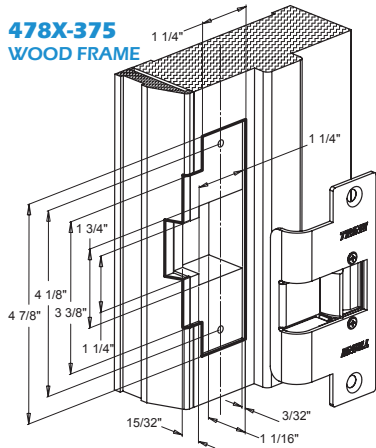
**234X-375**  
WOOD FRAME



**478**  
WOOD FRAME  
WITH 1/8" ADJUSTABLE LATCH



**478X-375**  
WOOD FRAME



NOTE: USE 2 INCH LONG (OR LONGER) WOOD SCREWS FOR MOUNTING

**3000**  
MECHANISM



**234X**



**Key Features:**

- 234X
- 478 Faceplate comes with 1/8" horizontal adjustments, guaranteed not to move.
- Only a 1" backset - The Smallest strikes in the world!
- GRADE 1 - Strike and Faceplate 500,000 + life cycles 1,500 + lbs. holding force
- Accepts a bolt with a up to 5/8" throw
- Fail secure - standard action

**478**

### COMPARE AESTHETICS



MOST STRIKES HAVE THE UGLY BLACK RAMPS - Everyone has come to expect this look when using electric strikes

Don't accept ugly.

**THE AXION SOLUTION**

**478 FACEPLATE**

Looks like a traditional "Strike Plate." One piece of stainless steel. ALL ONE COLOR

