

WireCrafters

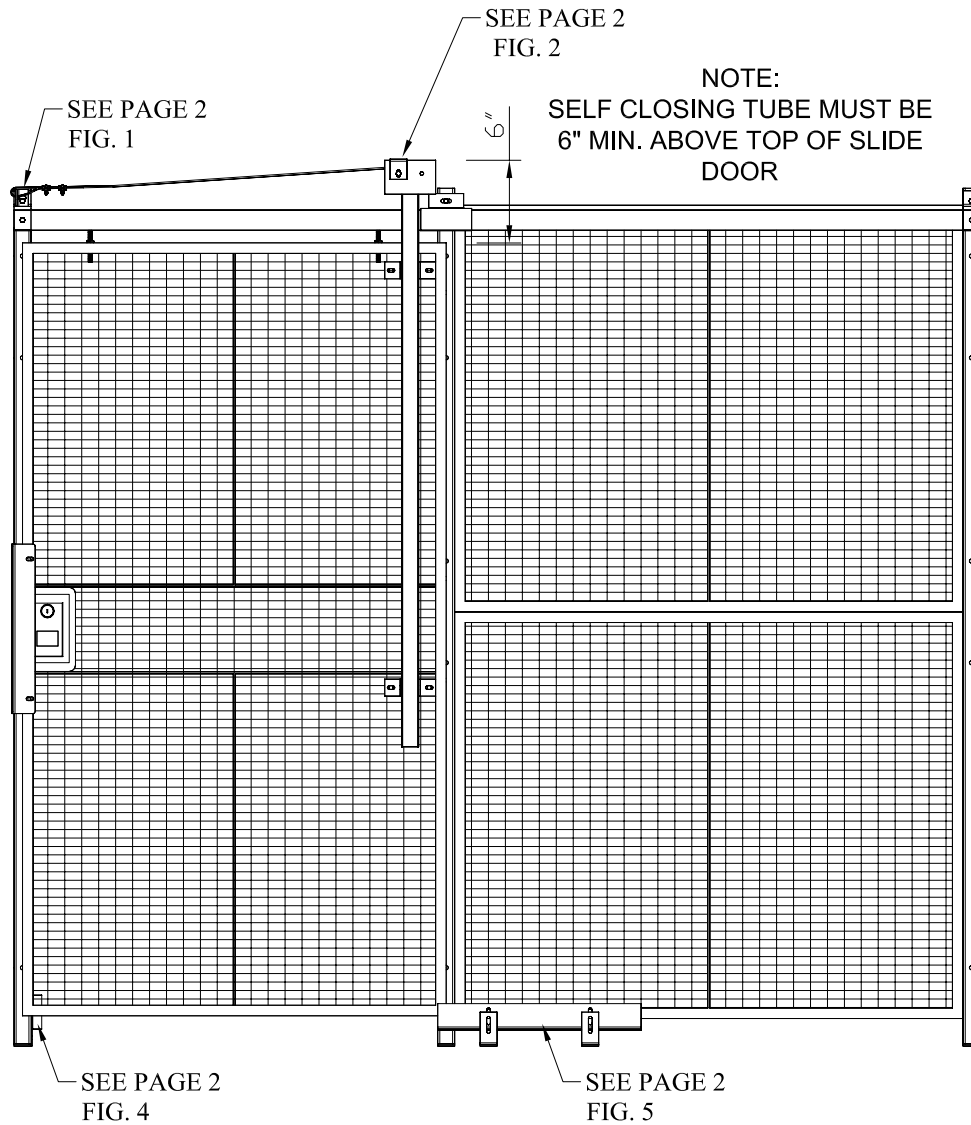
Opener Installation Instructions



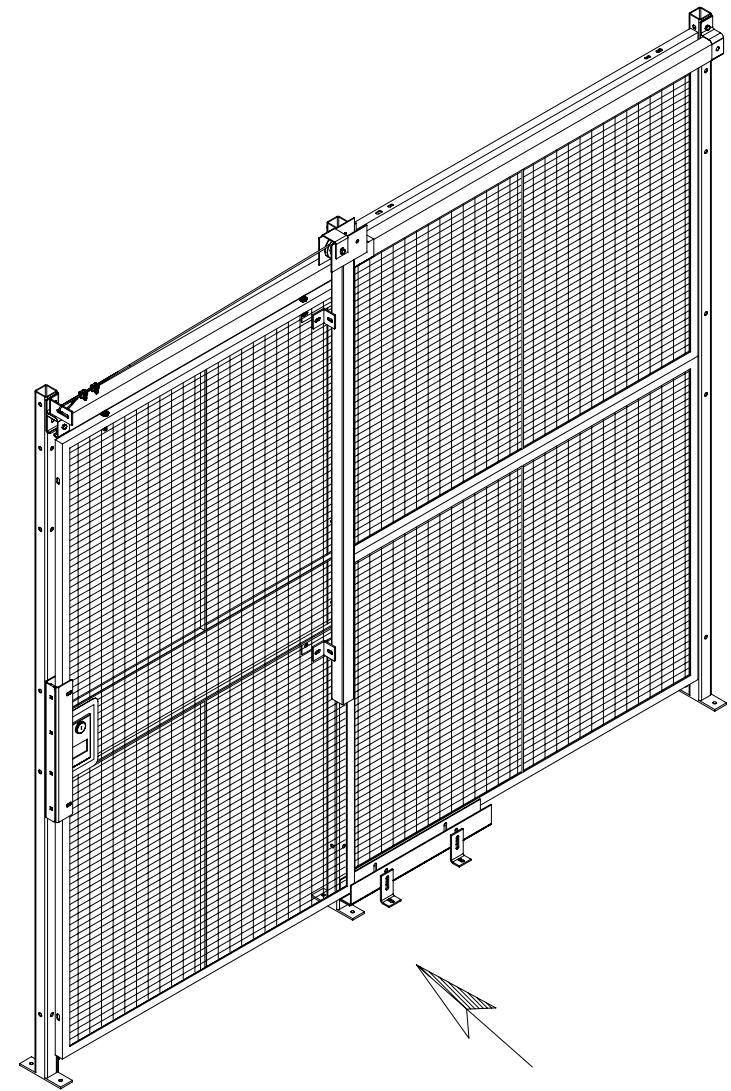
INCLUDED IN THIS MANUAL

Counterweight Slide Door	2
Counterweight Details	3
120V Electric Slide Door Opener	4
Motor Configuration	5
Chain Bracket & Door Stop	6
Door Stand and Door Guide	7

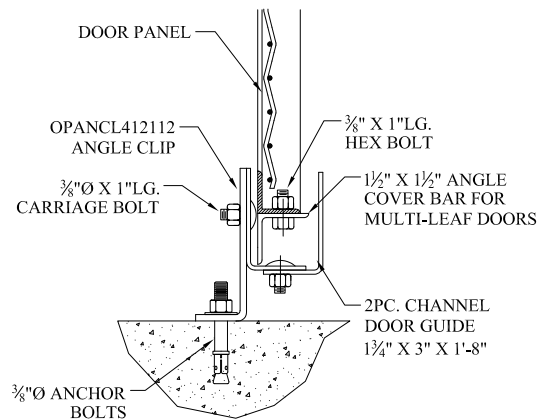
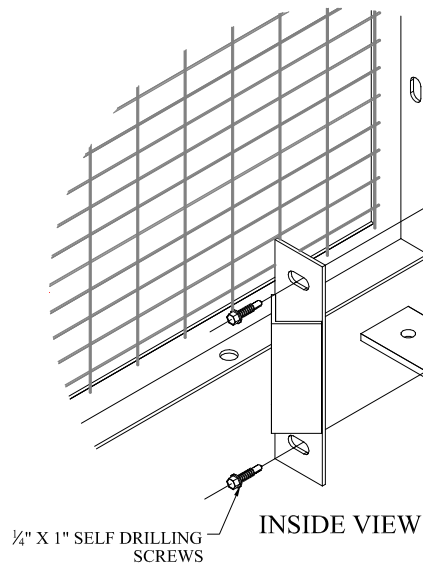
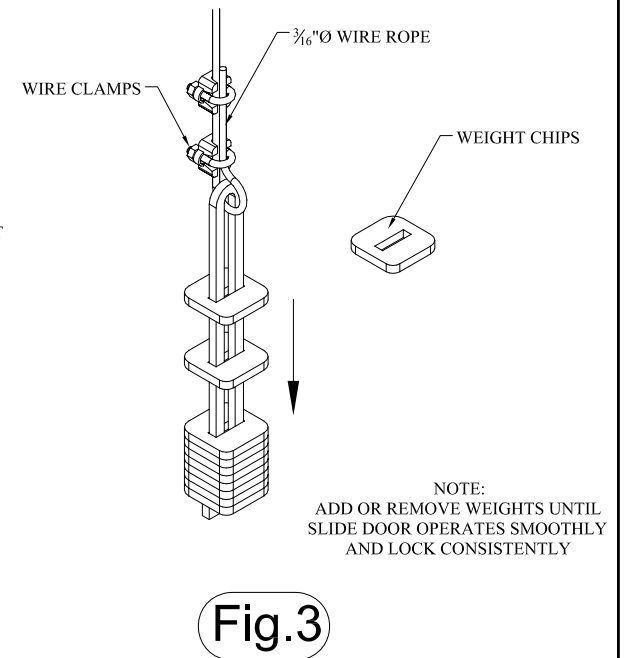
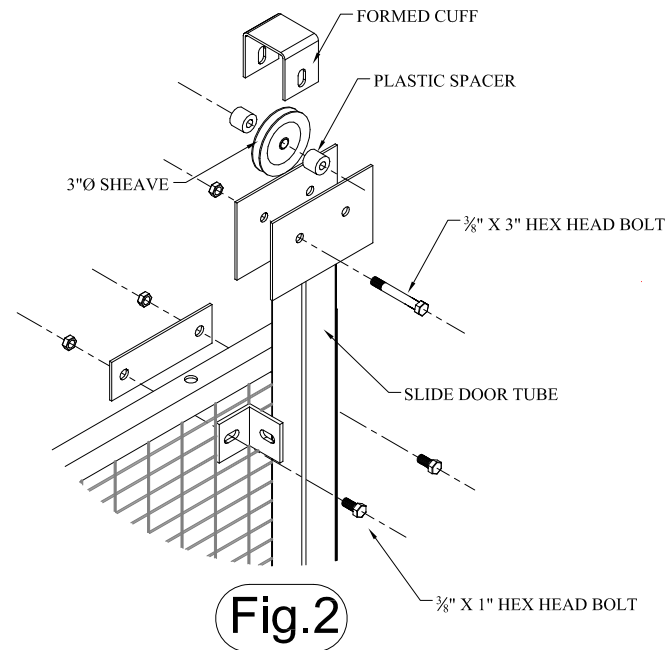
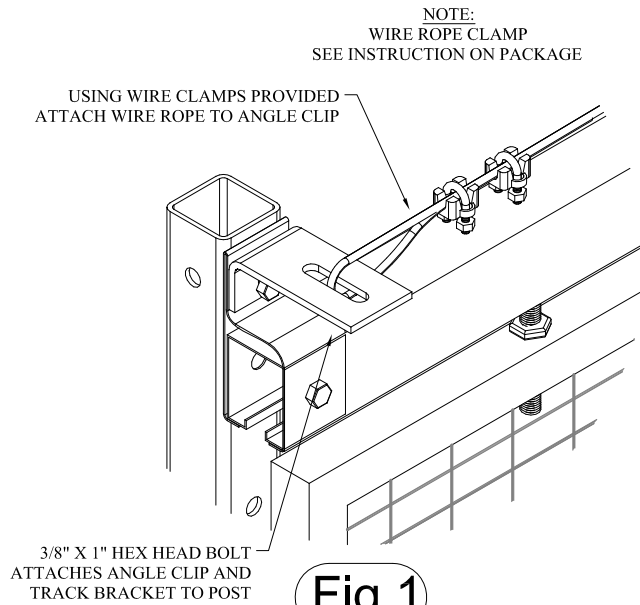
We're Here To Help
1-800-626-1816
Mon-Fri 8am-5pm ET



NOTE:
SELF CLOSING TUBE MUST BE
4" MIN. ABOVE BOTTOM OF SLIDE DOOR
FOR DOOR GUIDE CLEARANCE



FACE SIDE



Notes to Installer

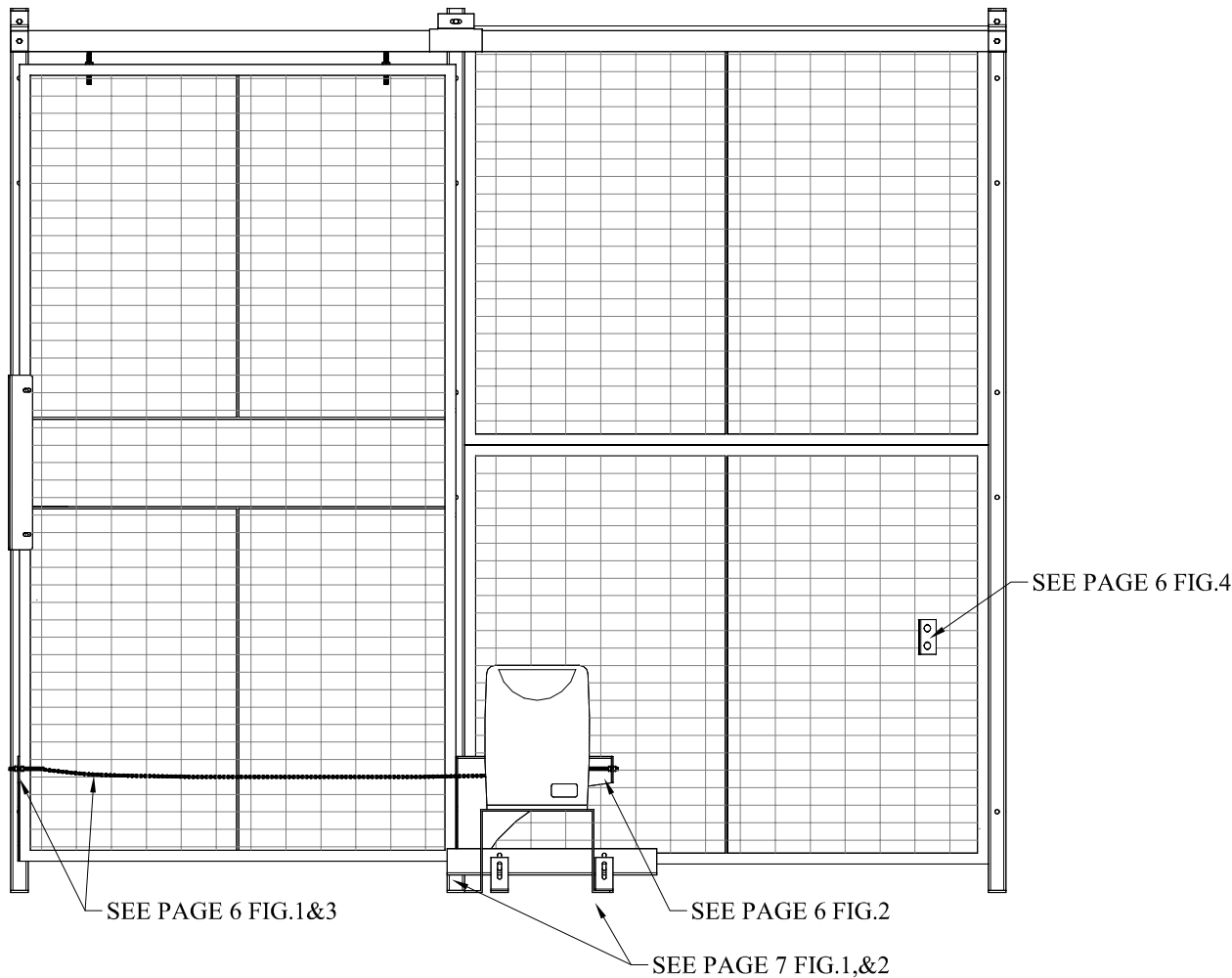
1. Install slide door using WireCrafters installation manual.
Note: Disregard installation of door guide supplied in WireCrafters Installation Manual. Refer to page 7, fig 2 of this manual for the installation of the door guide.

2. See operator instructions (supplied with opener) for the following information.:

- a. Adjustment of Motor
- b. Wiring diagrams

3. WireCrafters recommend:

- a. Slide doors to be installed on inside of cage.
- b. Turn R1 (Thrust on obstacles) to its minimum.



Important! This electric door opener has been configured at the factory to operate with a remote control and obstruction detecting photocells. **It will not operate until the photo cells are connected and aligned, and the remote has been programmed.** Instructions for programming the remote and wiring the photocells are in the DiTEC Control Panel Installation Manual.

The door opener may be configured to operate with many other components (flashing lights, push button, etc) and settings (auto close, speed of operation, delays, etc). Please consult the DiTEC Control Panel Installation Manual for information and wiring diagrams.

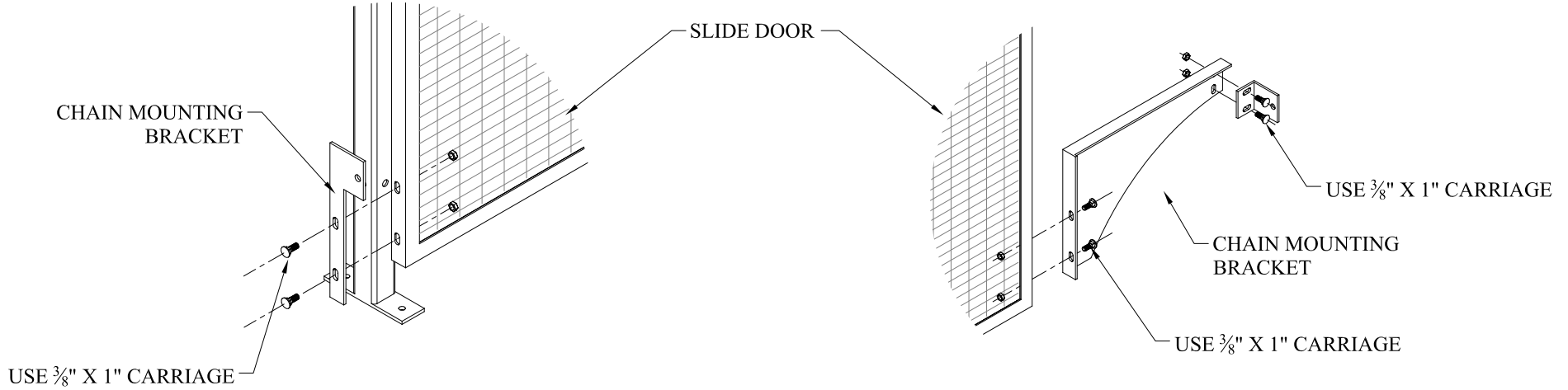


Fig.1

OUTSIDE SLIDE DOORS

Fig.2

INSIDE SLIDE DOORS

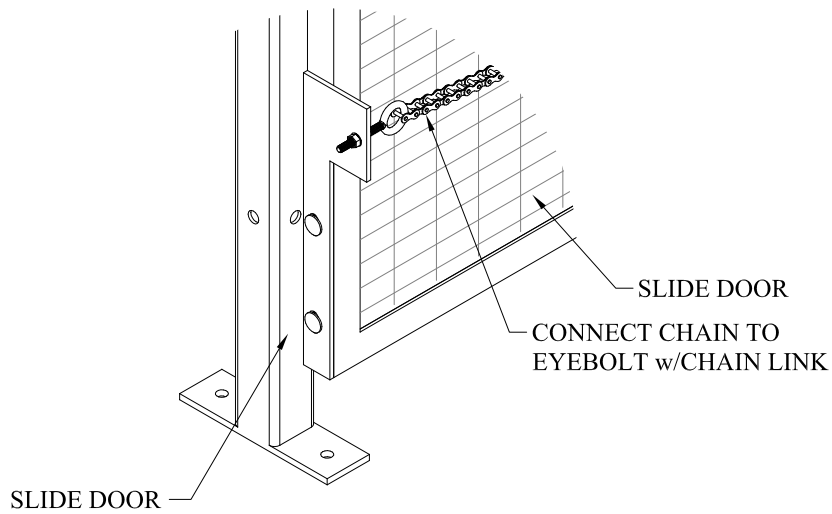


Fig.3

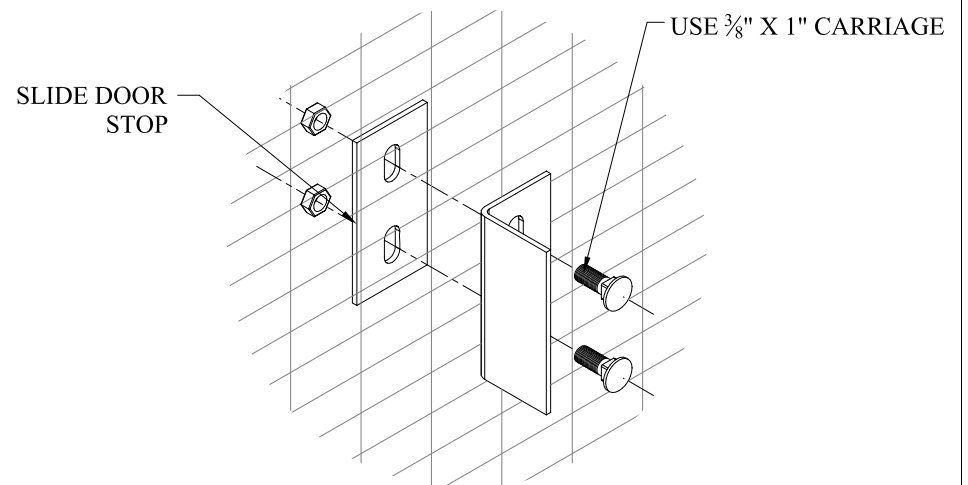


Fig.4

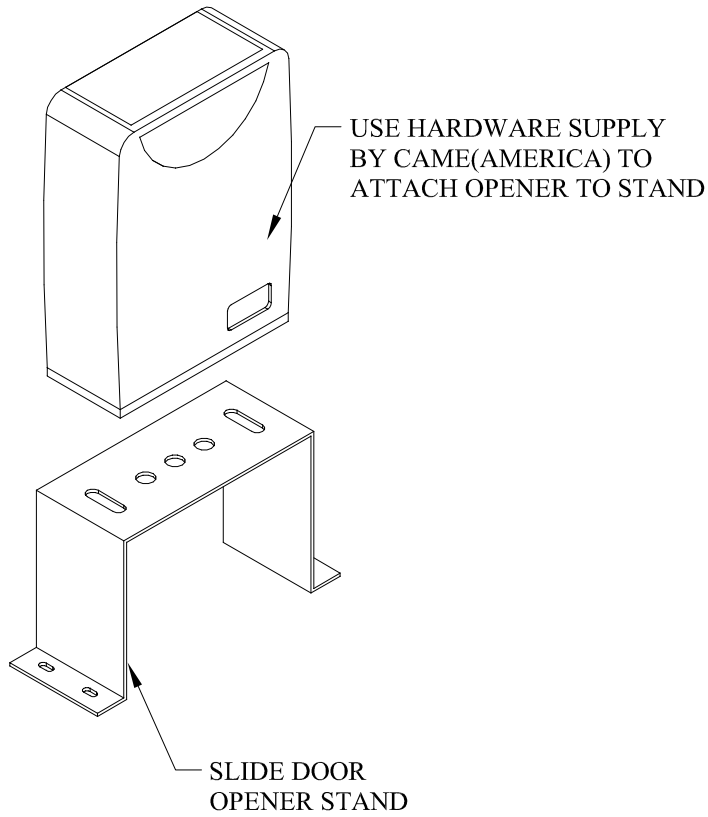


Fig.1

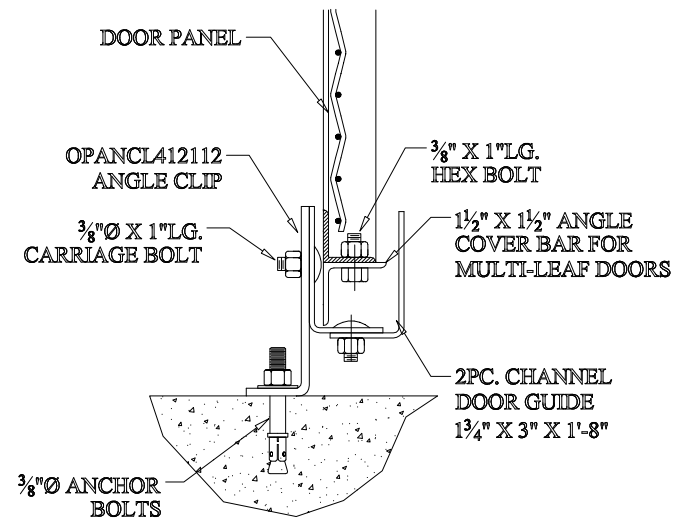


Fig.2

Thanks for using
WireCrafters
woven wire partitions.

Tool Cribs * Storage Lockers * Machine Guards * Mezzanine Rails * Pallet Rack Backs * Security Enclosures