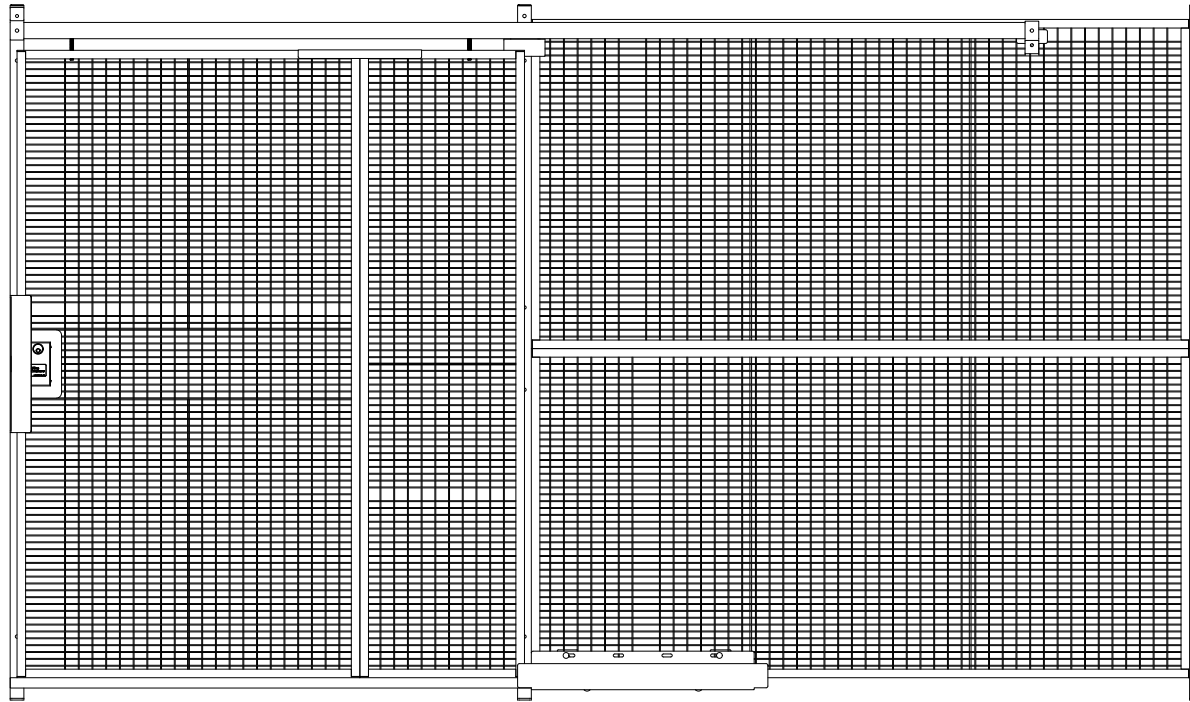


WireCrafters

Slide Door Guide

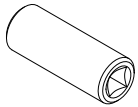
Installation Instructions



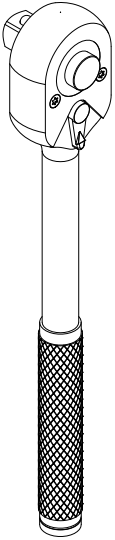
INCLUDED IN THIS MANUAL

Description	Page
Recommended Tools	2
Hardware Pack	3
Cover Bar Installation	4
SD Guide Pre-Assembly	5
Outside SD Guide Installation	6
Inside SD Guide Installation	7
Wire Partition Thank You Page	8

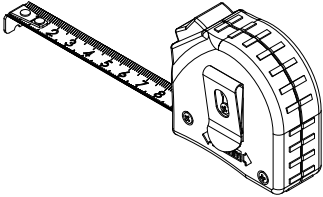
We're Here To Help
1-800-626-1816



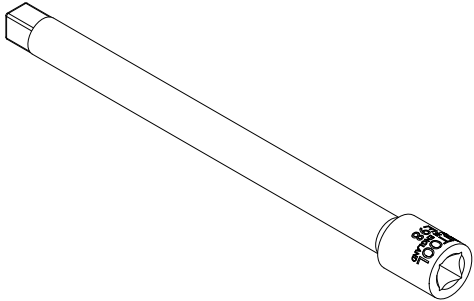
3/8" Drive 9/16"
Deep Well Socket



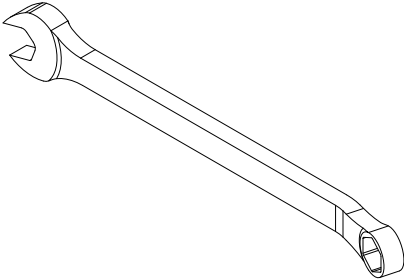
3/8" Drive Ratchet



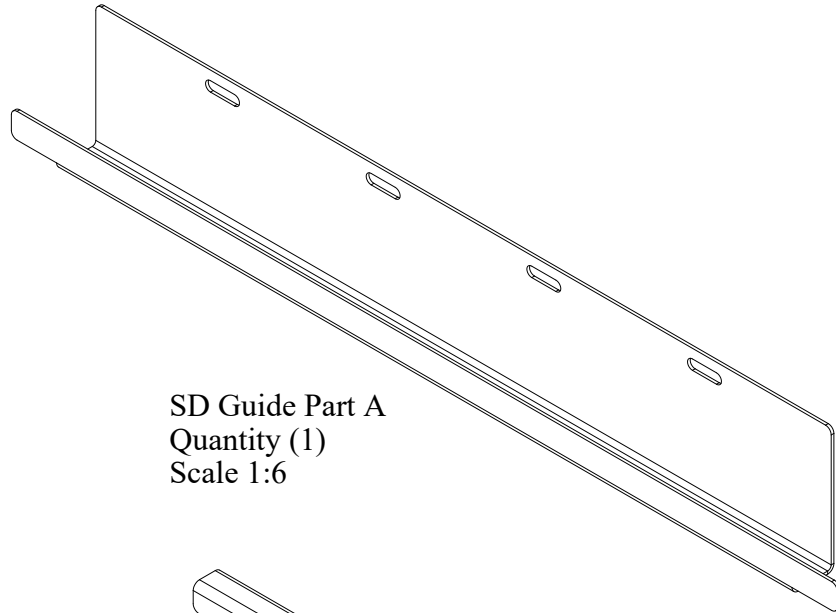
Tape Measure



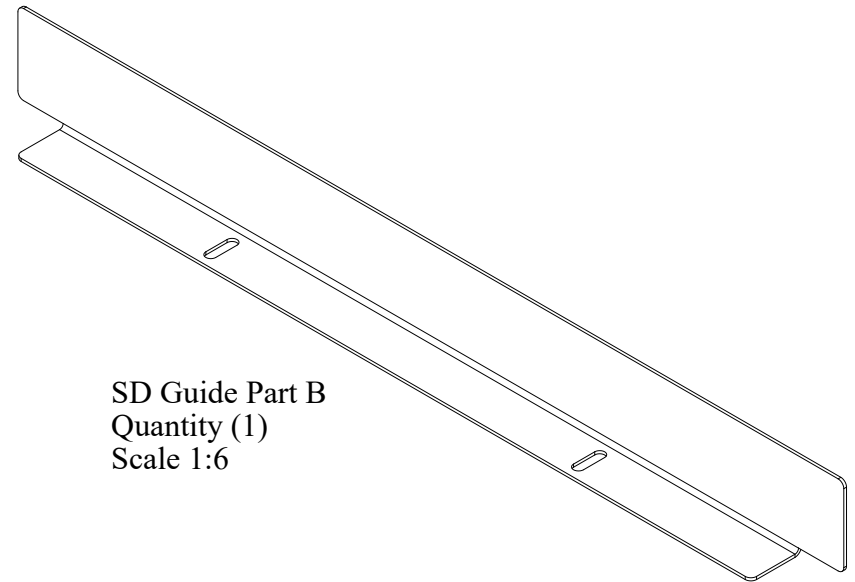
3/8" Drive Extension



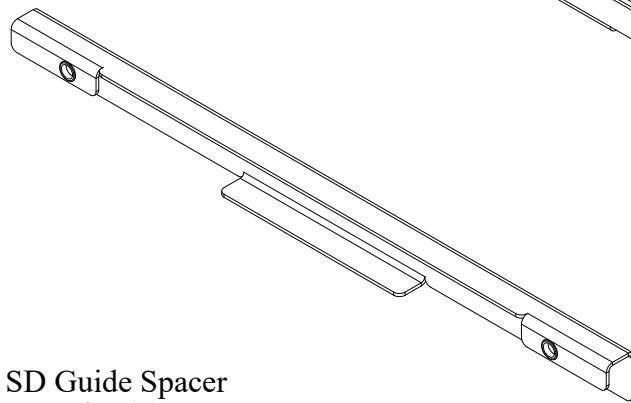
9/16" Combination Wrench



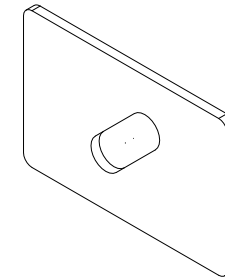
SD Guide Part A
Quantity (1)
Scale 1:6



SD Guide Part B
Quantity (1)
Scale 1:6



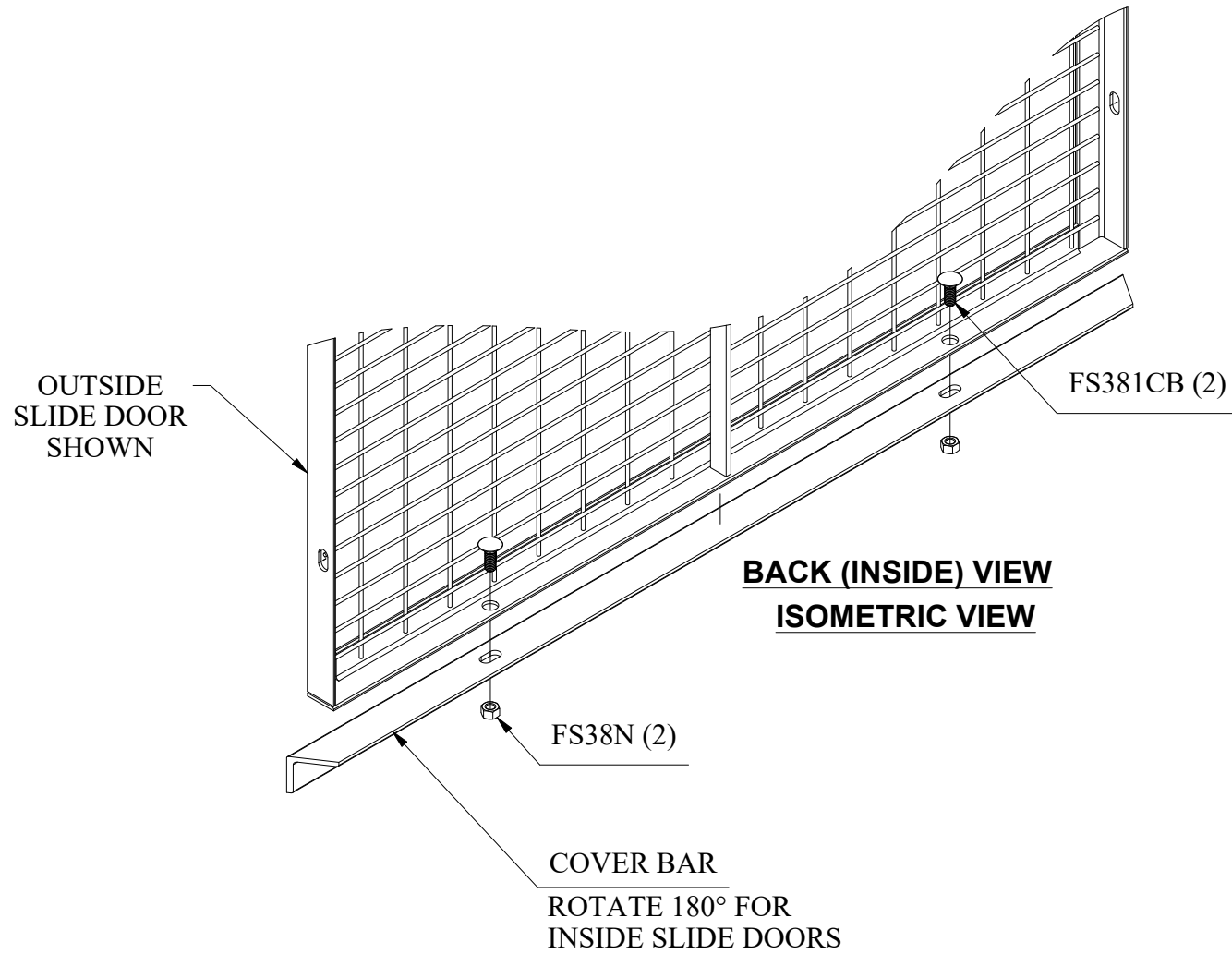
SD Guide Spacer
Quantity (1)
Scale 1:6
(FOR USE ON INSIDE SLIDE DOORS)

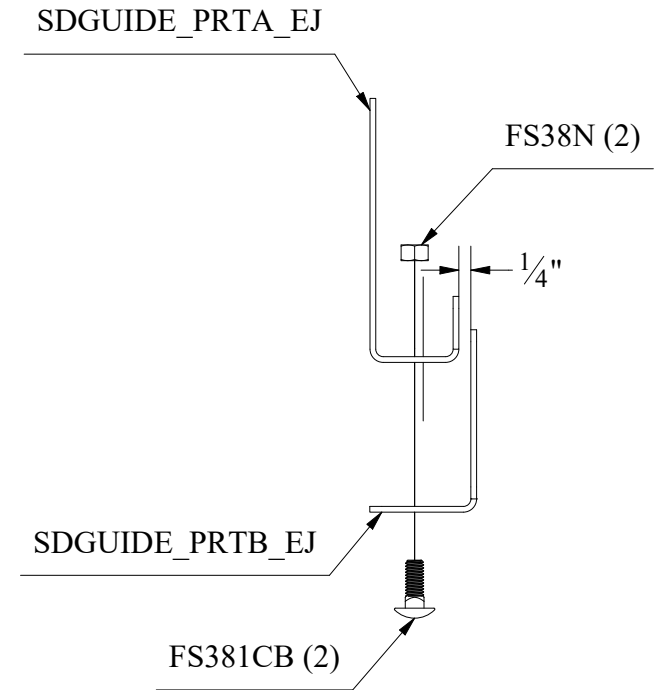
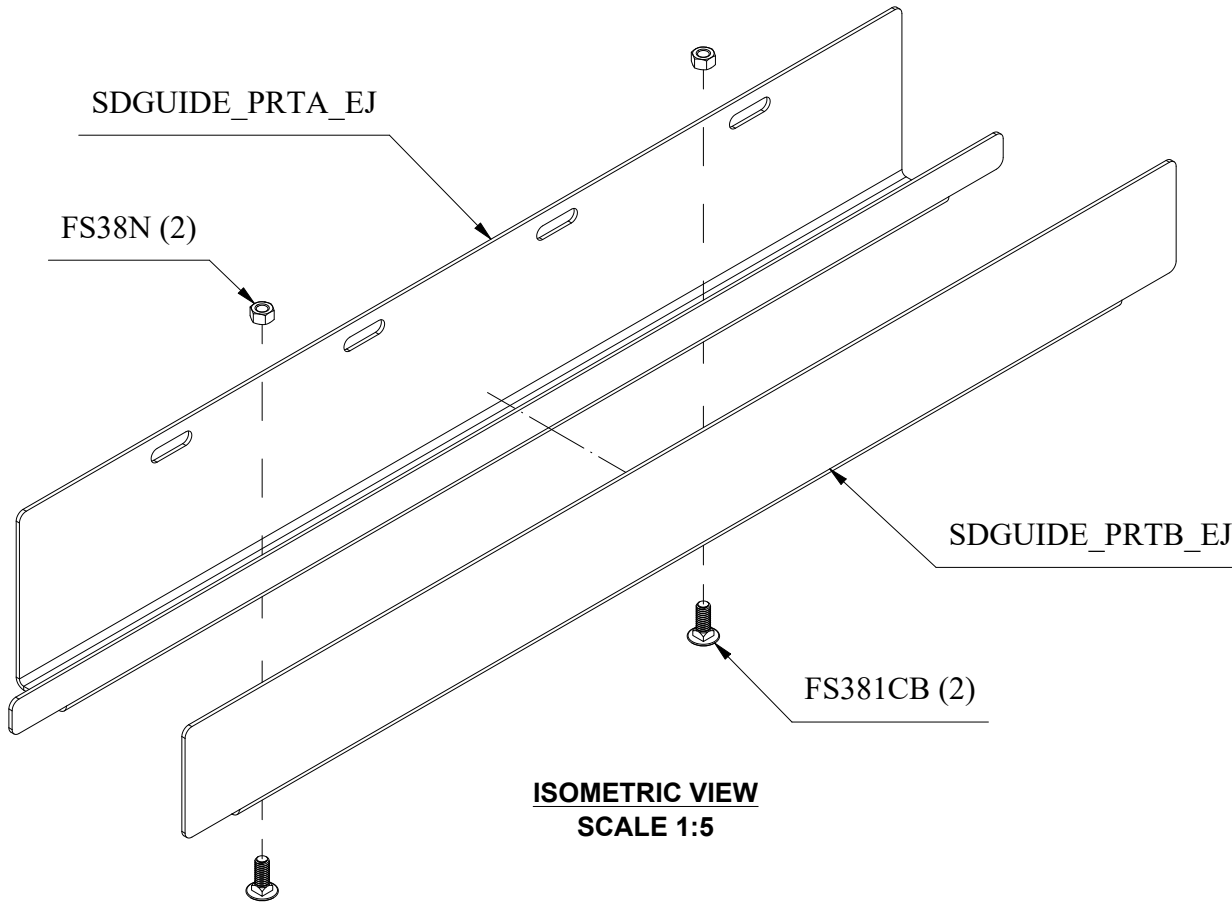


11GA X 2" X 3" Adjustable Panel Flat
Quantity (2)
Part # APFL
Scale 1:2

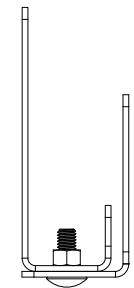
Fasteners

Qty.	Part Number	Description
4	FS381CB	3/8"-16 X 1" Carriage Bolt
4	F38N	3/8" Nut
2	FS381FB	3/8"-16 Flange Bolt

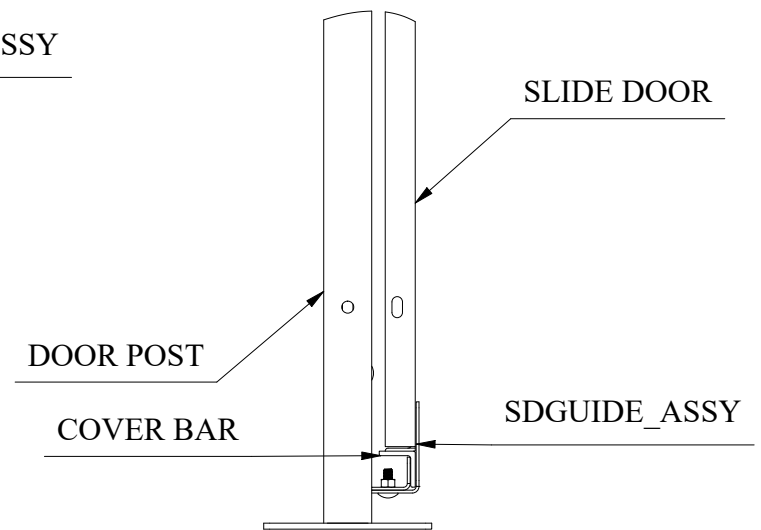
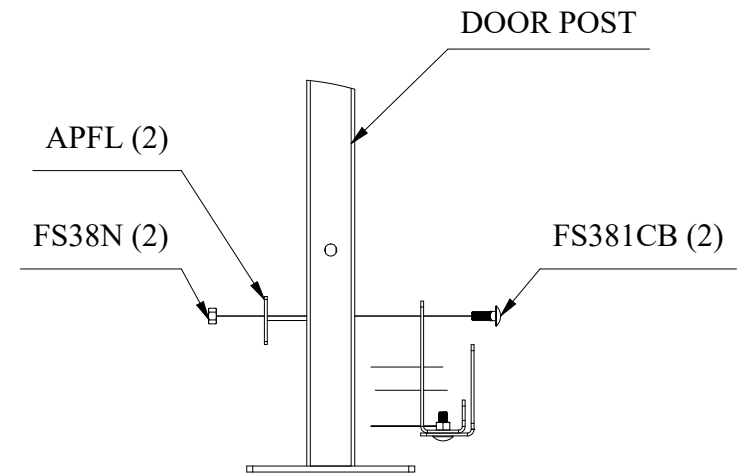
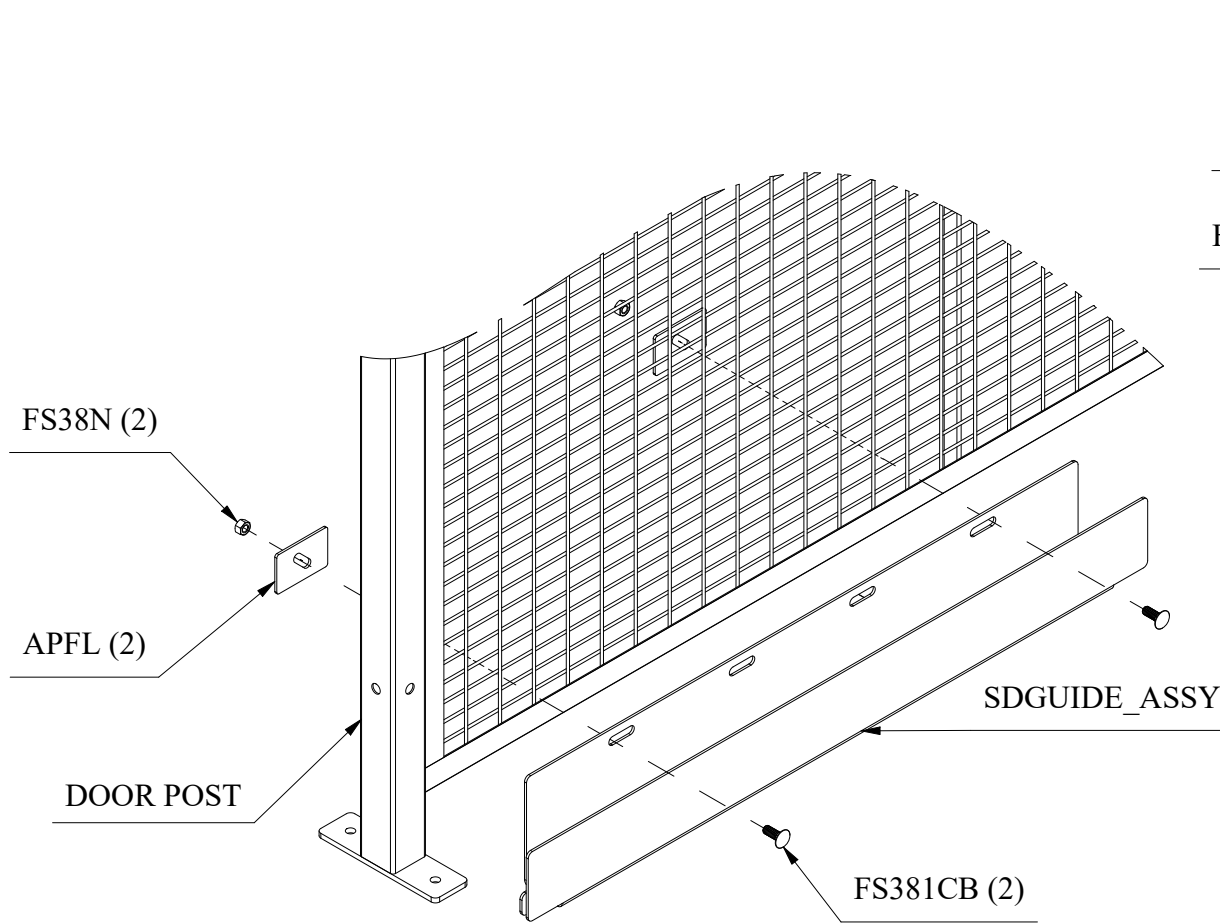


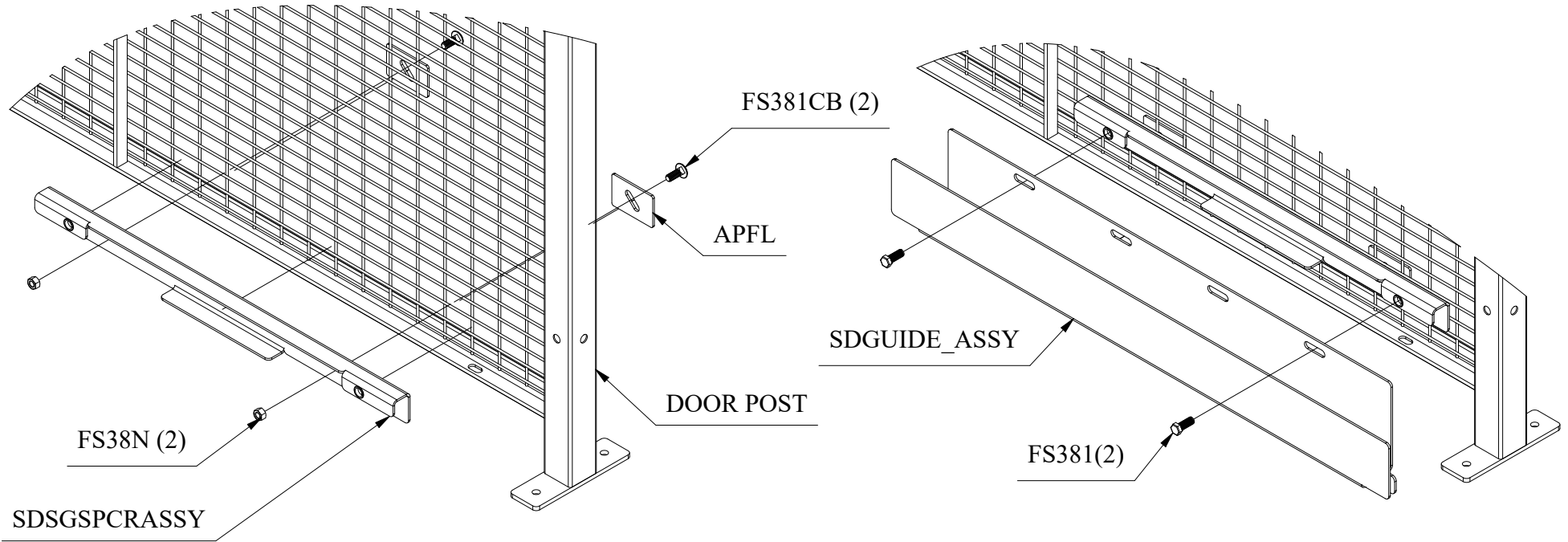


LEFT (SIDE) VIEW
SCALE 1:4



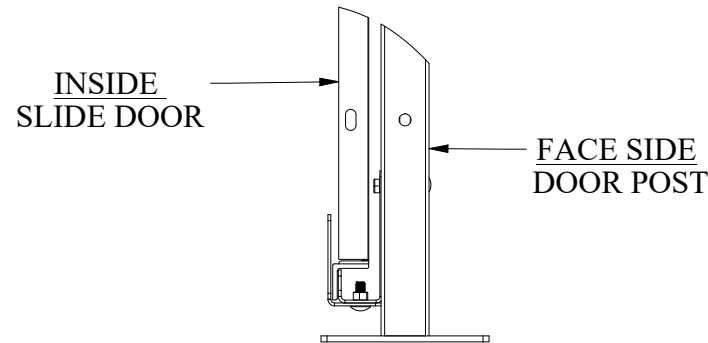
LEFT (SIDE) VIEW
SCALE 1:4





BACK (INSIDE) VIEW
STEP 1.

BACK (INSIDE) VIEW
STEP 2.



Thanks for using

WireCrafters

Wire Partition Systems

For more information on WireCrafters products please visit our website at www.wirecrafters.com