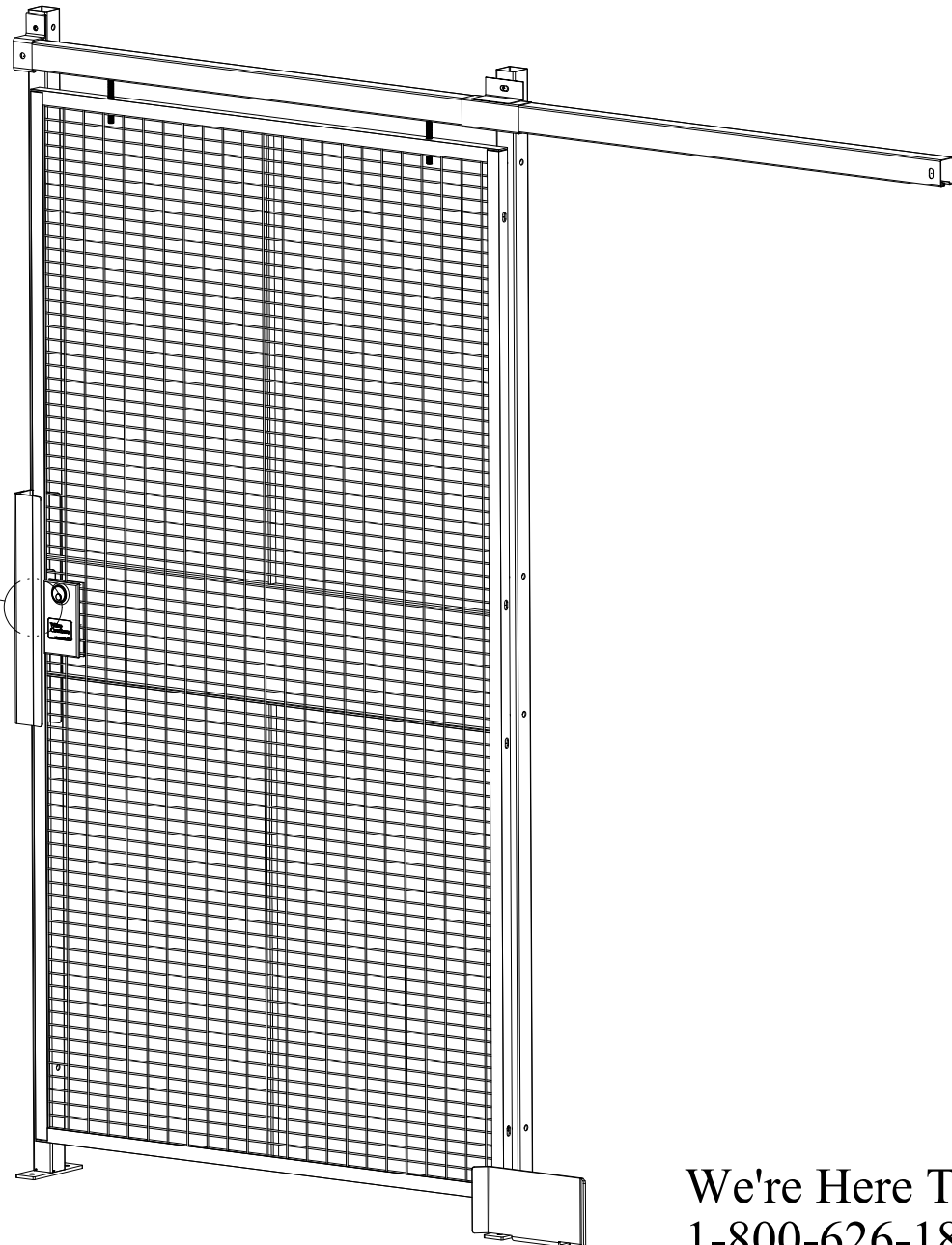
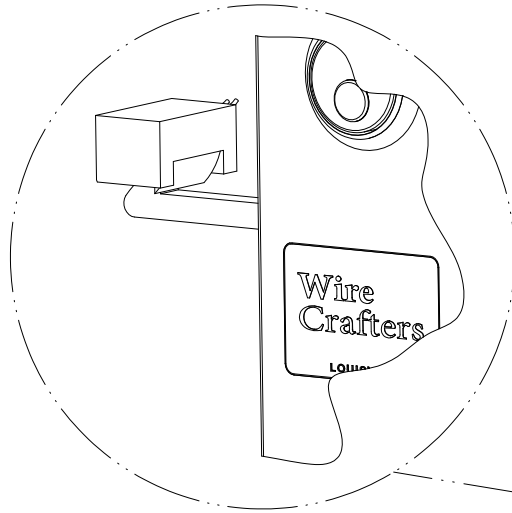


# WireCrafters

## Slide Door Electric Strike Installation



### INCLUDED IN THIS MANUAL

<u>Description</u>	<u>Page</u>
Introduction .....	2
Hardware Pack .....	3
Lock Hook Instructions .....	4
Right Hand Assembly .....	5
Right Hand Assembly & Adjustment .....	6
Left Hand Assembly .....	7
Left Hand Assembly & Adjustment .....	8
Retro-Fit & Quick Ship Door Modification .....	9

We're Here To Help  
1-800-626-1816

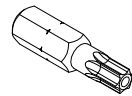
Read entire installation instruction before beginning.

This manual covers installation instructions for the the Slide Door Electric Strike to **WireCrafters** 840 Slide Doors.  
(<https://www.wirecrafters.com/resources/>)

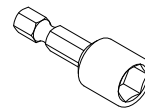
Use the "Style 840 Installation Instructions" For installation and adjustment of the slide door prior to installing the Electric Strike.  
(<https://www.wirecrafters.com/resources/>)

### Supplies Needed:

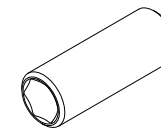
- "Blue" thread locker  
(Such as Loctite 242)



T27 Security Bit  
**Provided  
in parts kit**



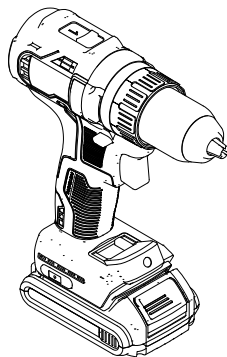
3/8 Nut Driver



1/2 Deep Socket



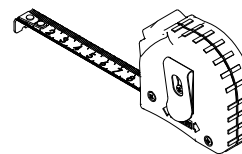
7/16 Socket



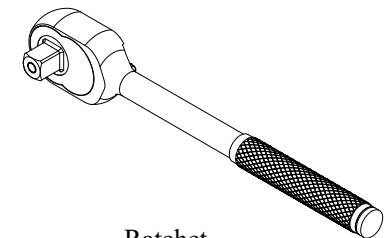
Drill / Driver



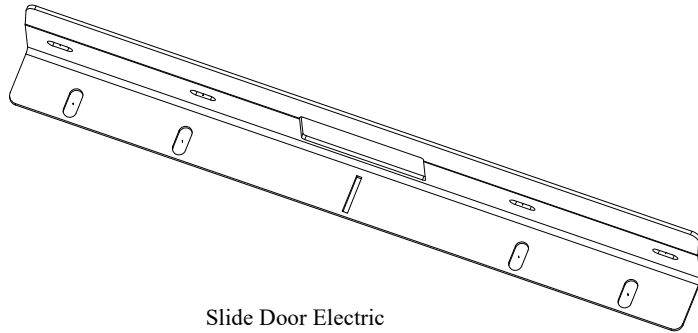
PH-1 Phillips screw driver



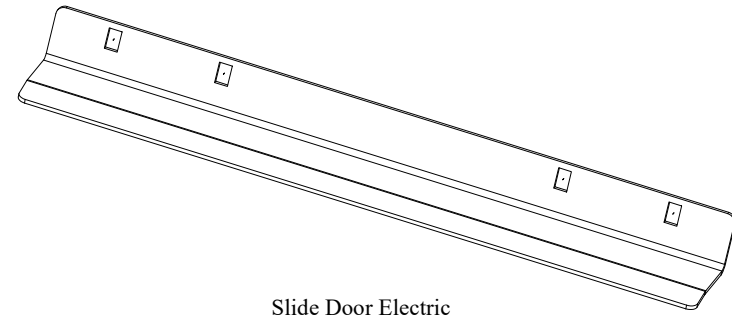
Tape Measure



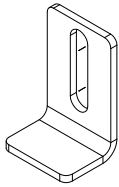
Ratchet



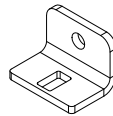
Slide Door Electric  
Strike Receiver A  
Quantity (1)  
Part# SDESRECA



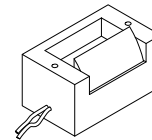
Slide Door Electric  
Strike Receiver B  
Quantity (1)  
Part# SDESRECB



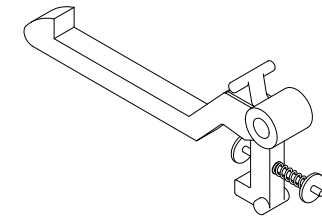
Anti-Pick Bracket  
Quantity (2)  
Part# SDESPKBKT



Rubber Bumper Bracket  
Quantity (1)  
Part# SDESBMPRBKT



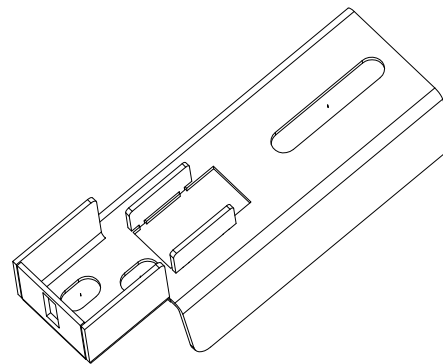
Lock Electric Strike  
Quantity (1)  
Part# LKELECSTRKTRN



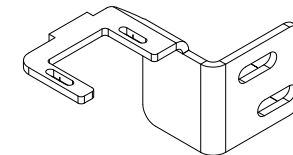
Modified Slide Door Hook  
Quantity (1)  
Part# LKXSDESTNGL

**SDESPK - Slide Door Electric Strike Hardware Pack**  
Includes These Fasteners

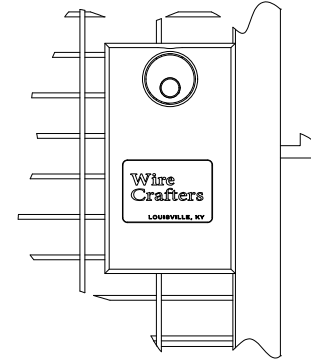
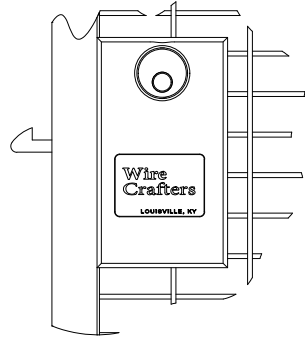
- (1) FS716316125RBRBMPR - Rubber Bumper
- (1) LKPSHB - Electric Strike Push Button
- (8) FS14SDST - 1/4" x 1" Self-Drilling Screw
- (4) FS44038PHPSLS - #4-40 X 3/8" Phillips Screw (2 EXTRA)
- (4) FS516FN - 5/16" Flange Nut
- (4) FS5161CB - 5/16" X 1" Carriage Bolt
- (1) SUD14LN - 1/4" Lock Nut
- (1) FS1434CB - 1/4" X 3/4" Carriage Bolt
- (2) FS121RHTRSDSS Security Screw
- (1) FSTXBTT27 Torx 27 Security Bit



Anti-Pick Collar  
Quantity (1)  
Part# SDESPKCLRWLD

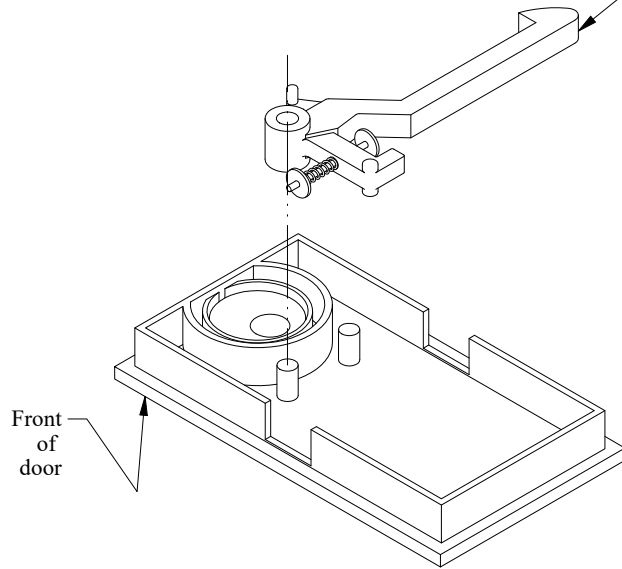


Electric Strike Bracket  
Quantity (1)  
Part# SDESBKBT

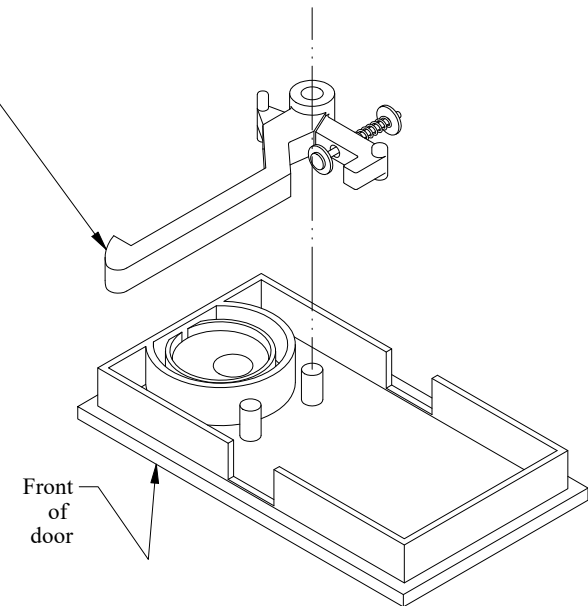


Locate the lock package that shipped with your order. Remove the supplied hook and discard.

Then install the LKXDESTNGL hook in the proper direction for the particular hand of door you have.

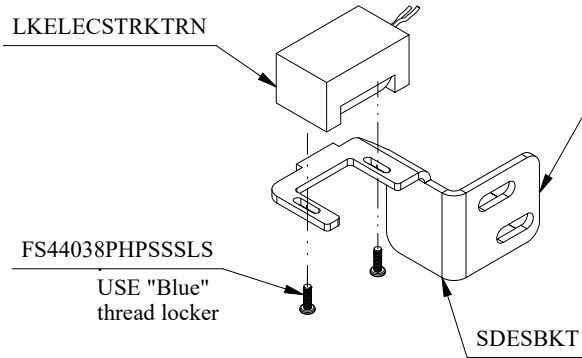


**RIGHT HAND OPEN**



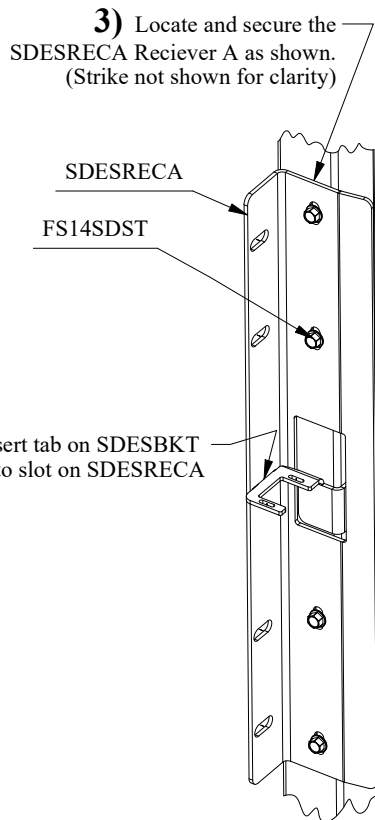
**LEFT HAND OPEN**

**See manufacturer's instructions supplied in the lock package for more details**

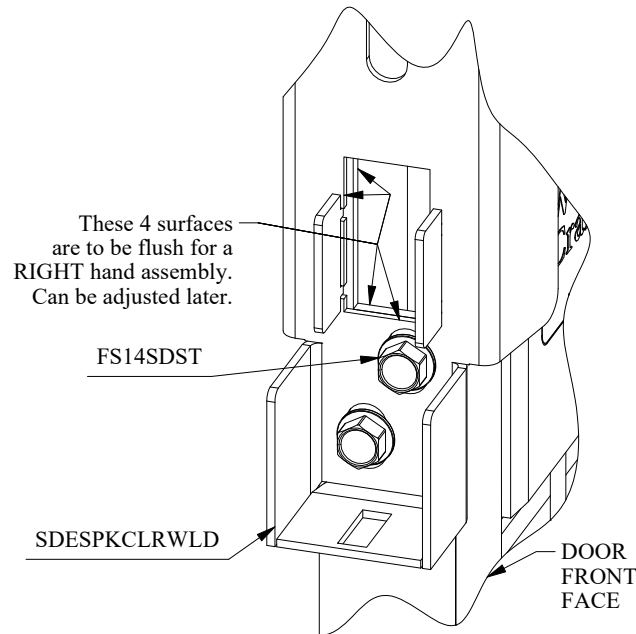


**1)** Assemble the LKELECSTRKTRN Electric strike to the SDESBKT Electric Strike Bracket.

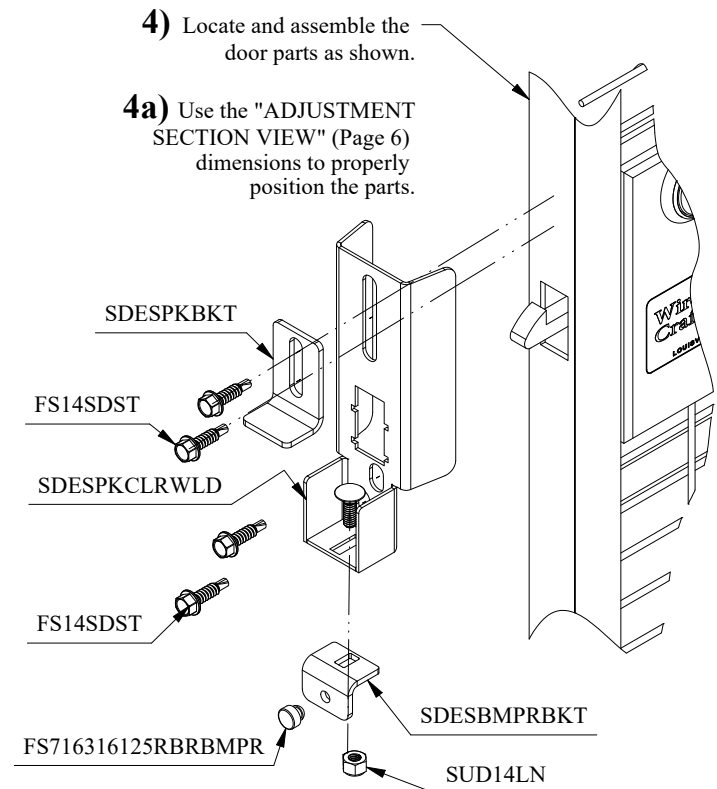
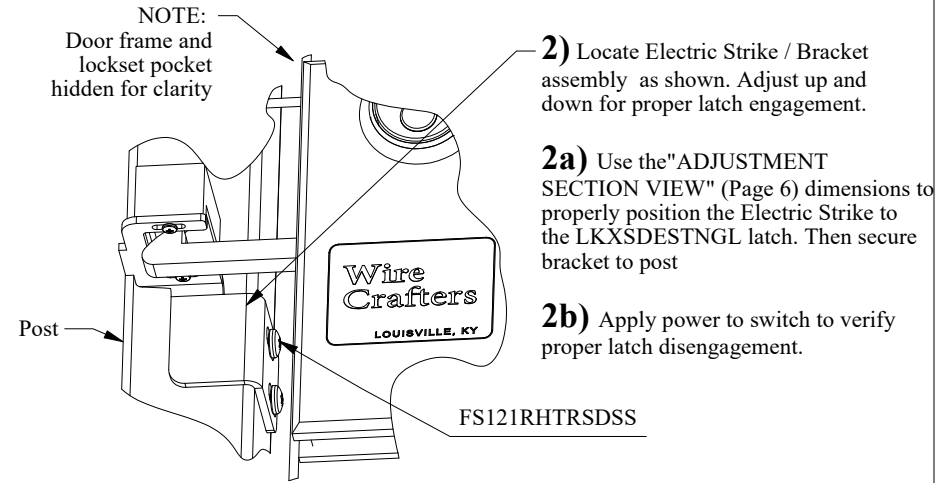
**1a)** Use the "ADJUSTMENT SECTION VIEW" (page 6) dimensions to properly position the Strike to the Bracket.



**POST INSTALL**



**PICK COLLAR INSTALL**

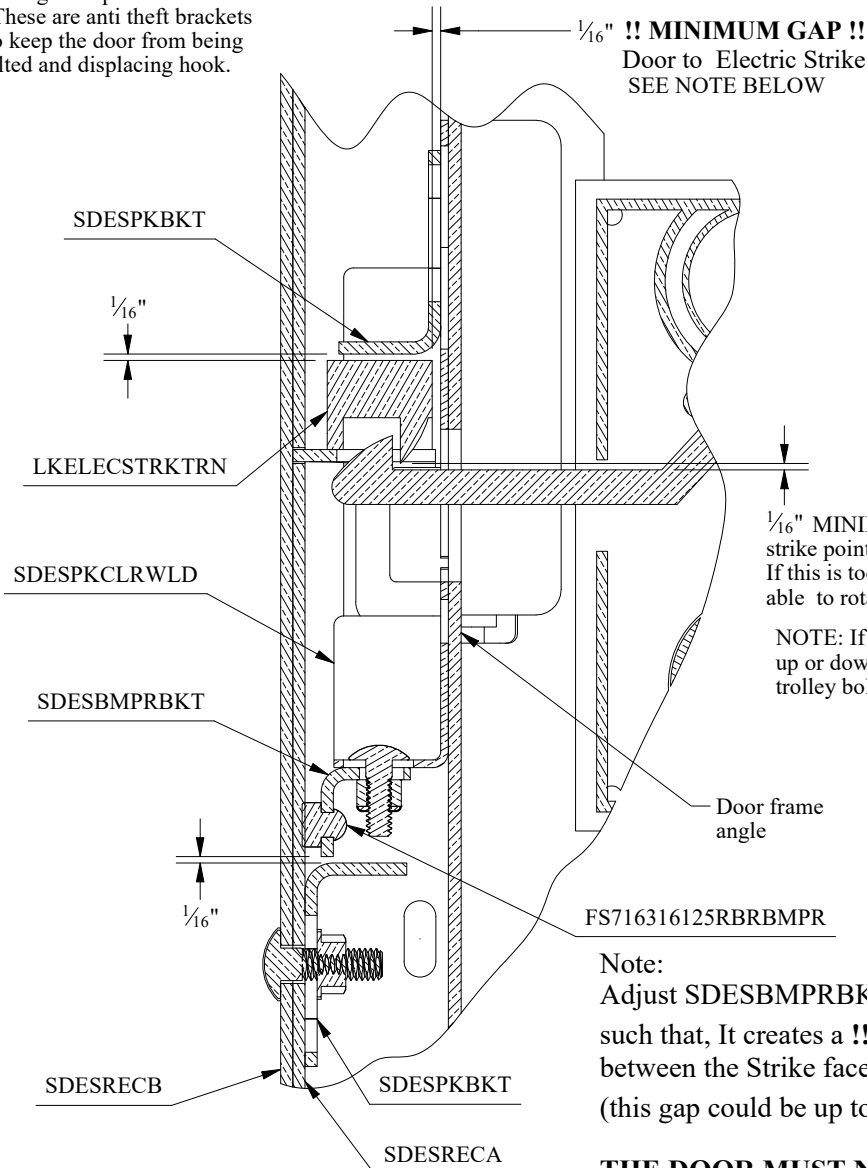


**DOOR INSTALL**

# WireCrafters

# Right Hand Assembly & Adjustment

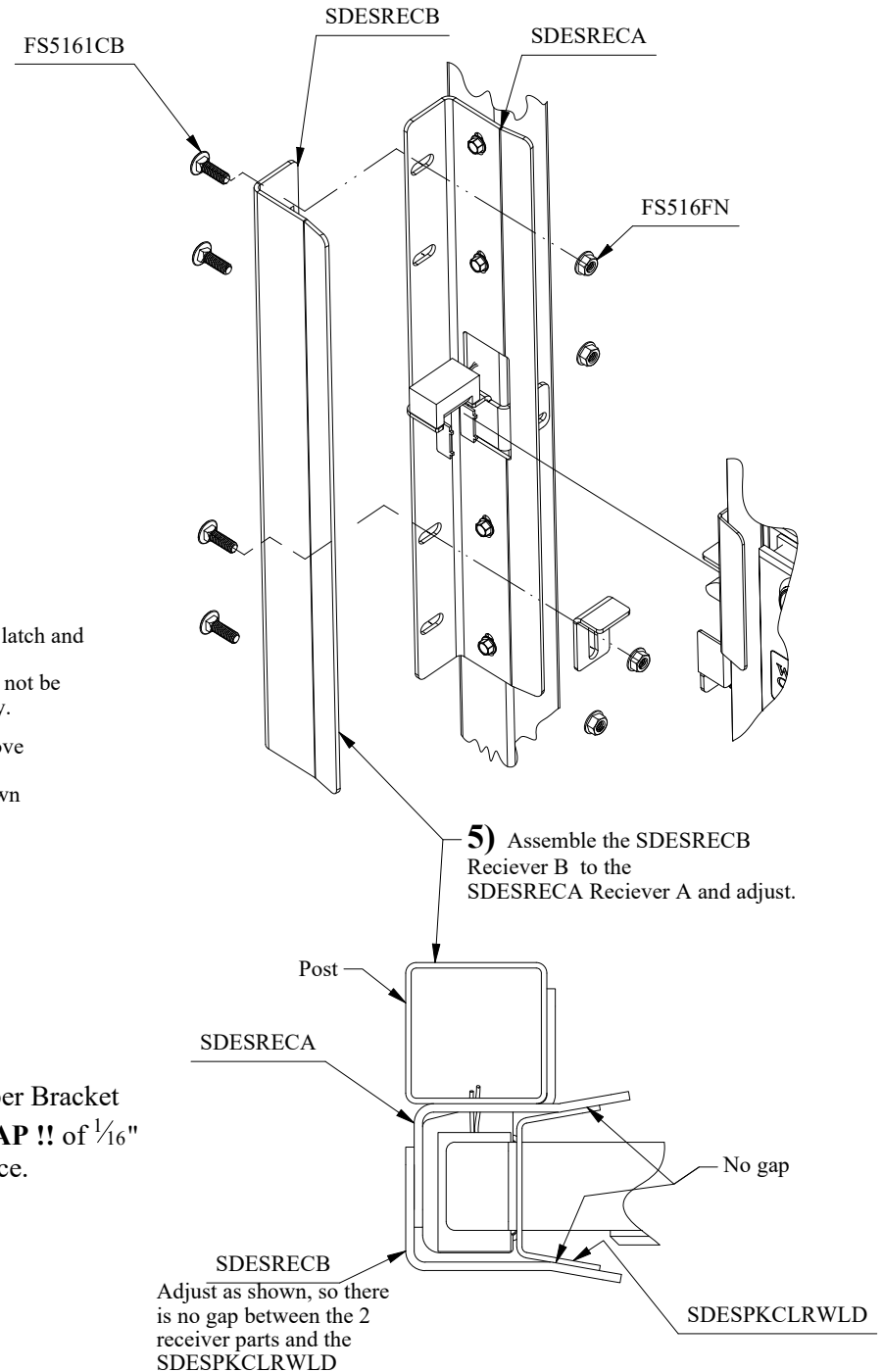
NOTE:  
Position the SDESPKBKT brackets as close as practicable with out interfering with the sliding door parts.  
These are anti theft brackets to keep the door from being tilted and displacing hook.

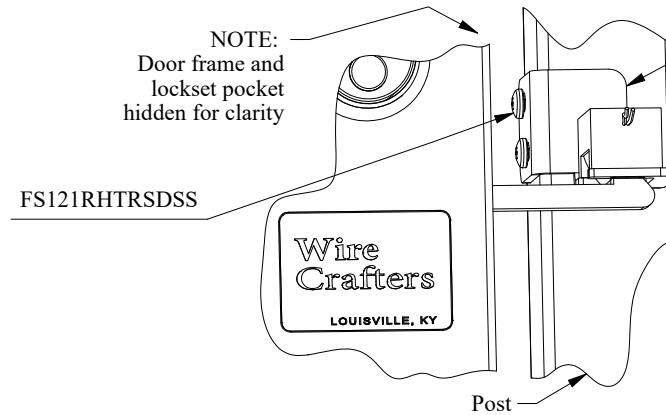
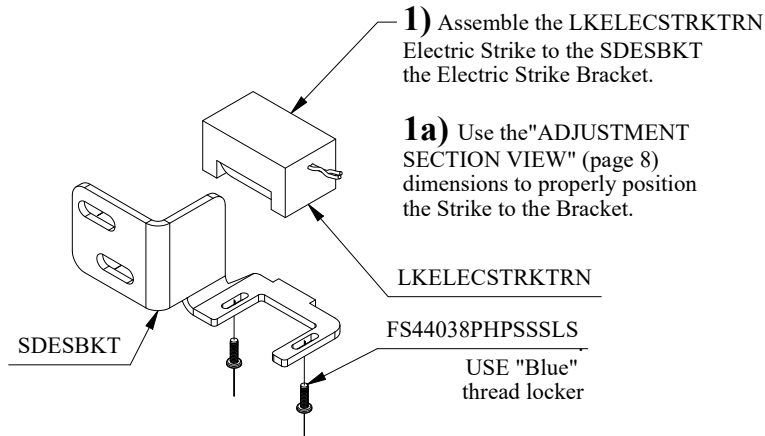


**ADJUSTMENT SECTION VIEW**

Note:  
Adjust SDESBMPRBKT Rubber Bumper Bracket such that, It creates a **!! MINIMUM GAP !!** of 1/16" between the Strike face and the Door face.  
(this gap could be up to 3/16")

**THE DOOR MUST NOT IMPACT THE ELECTRIC STRIKE**



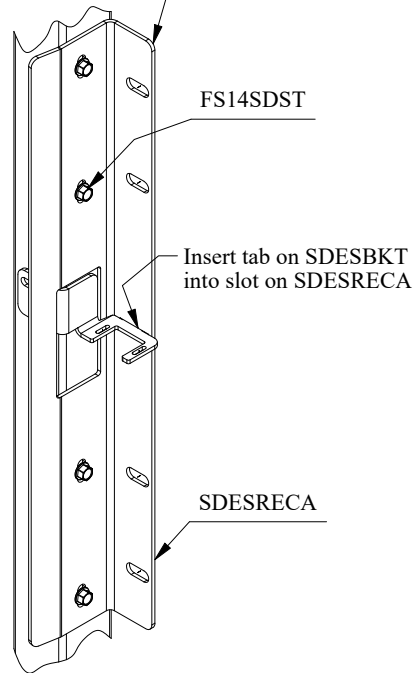


**2)** Locate Strike / Bracket assembly as shown. Adjust up and down for proper latch engagement. Secure bracket to post

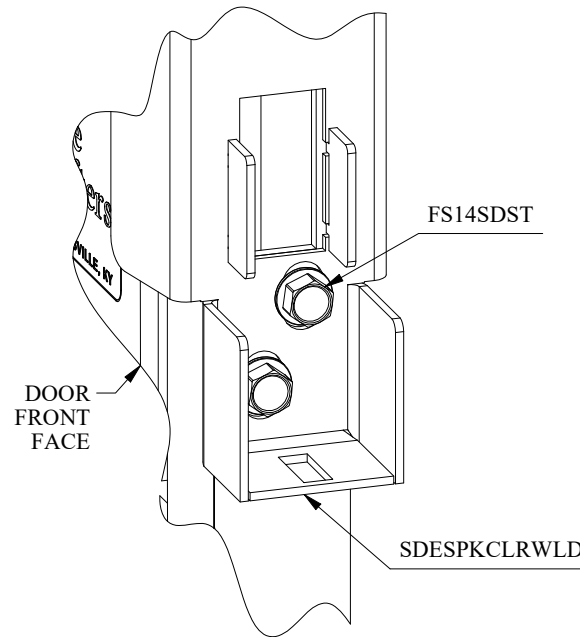
**2a)** Use the "ADJUSTMENT SECTION VIEW" (page 8) dimensions to properly position the strike to the latch.

**2b)** Apply power to switch to verify proper latch disengagement.

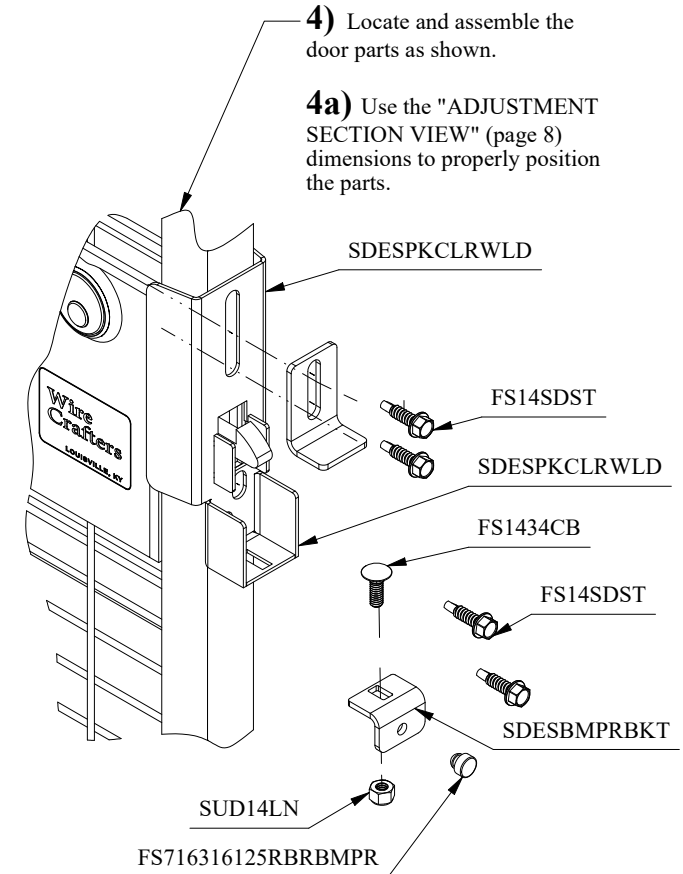
**3)** Locate and secure the SDESRECA Receiver A as shown. (Strike not shown for clarity)



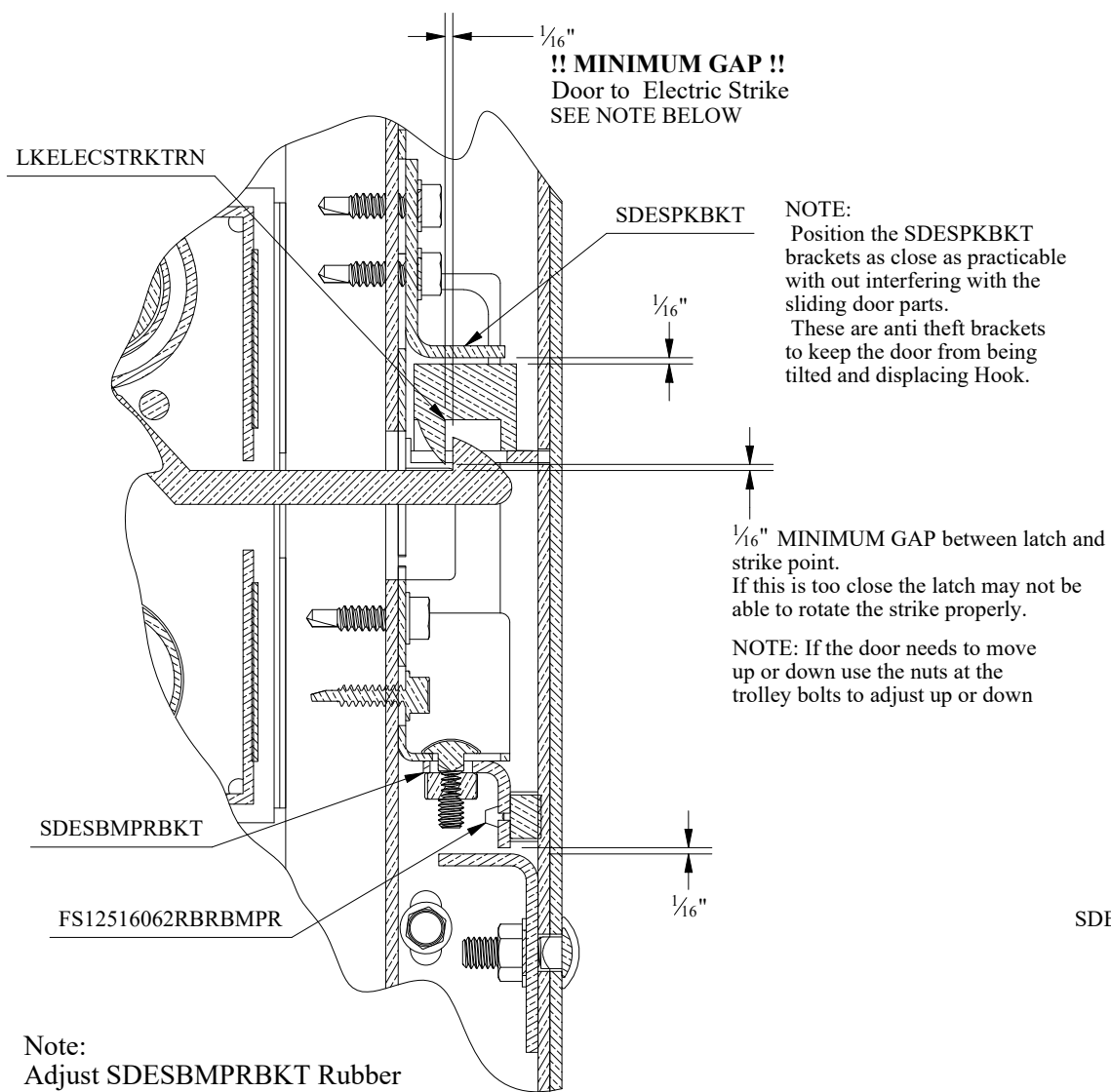
POST INSTALL



PICK COLLAR INSTALL



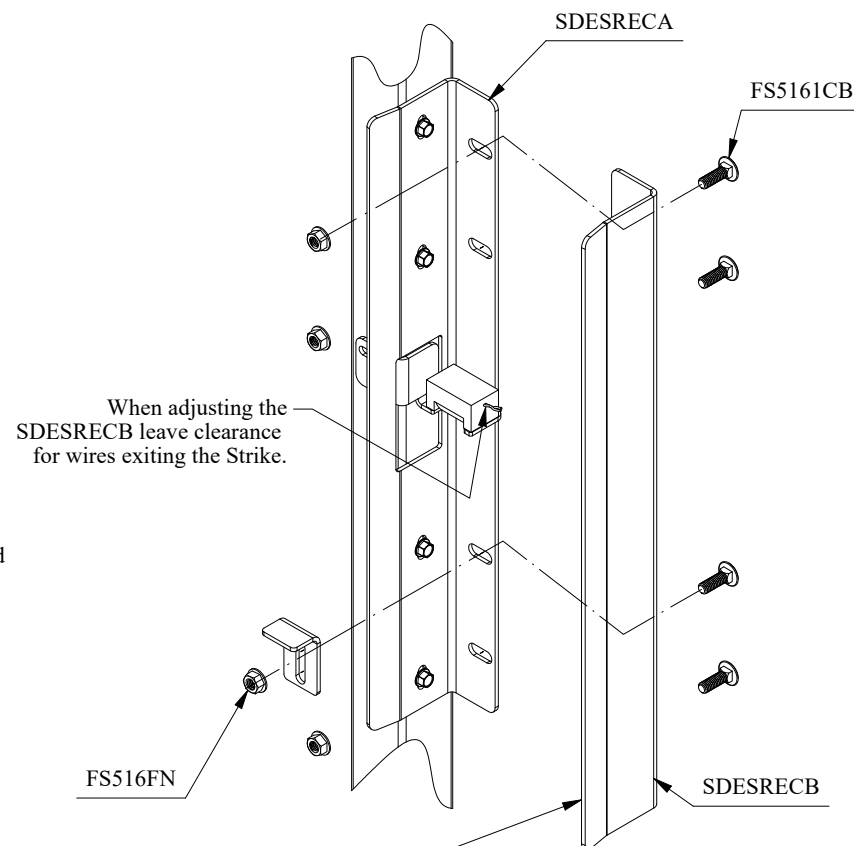
DOOR INSTALL



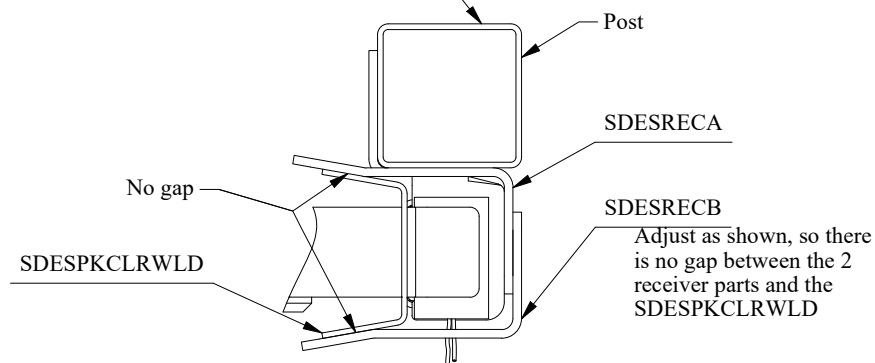
Note:  
Adjust SDESBMPRBKT Rubber Bumper Bracket such that, It creates a **!! MINIMUM GAP !!** of  $\frac{1}{16}$ " between the Strike face and the Door face.  
(this gap could be up to  $\frac{3}{16}$ " )

**THE DOOR MUST NOT IMPACT THE ELECTRIC STRIKE**

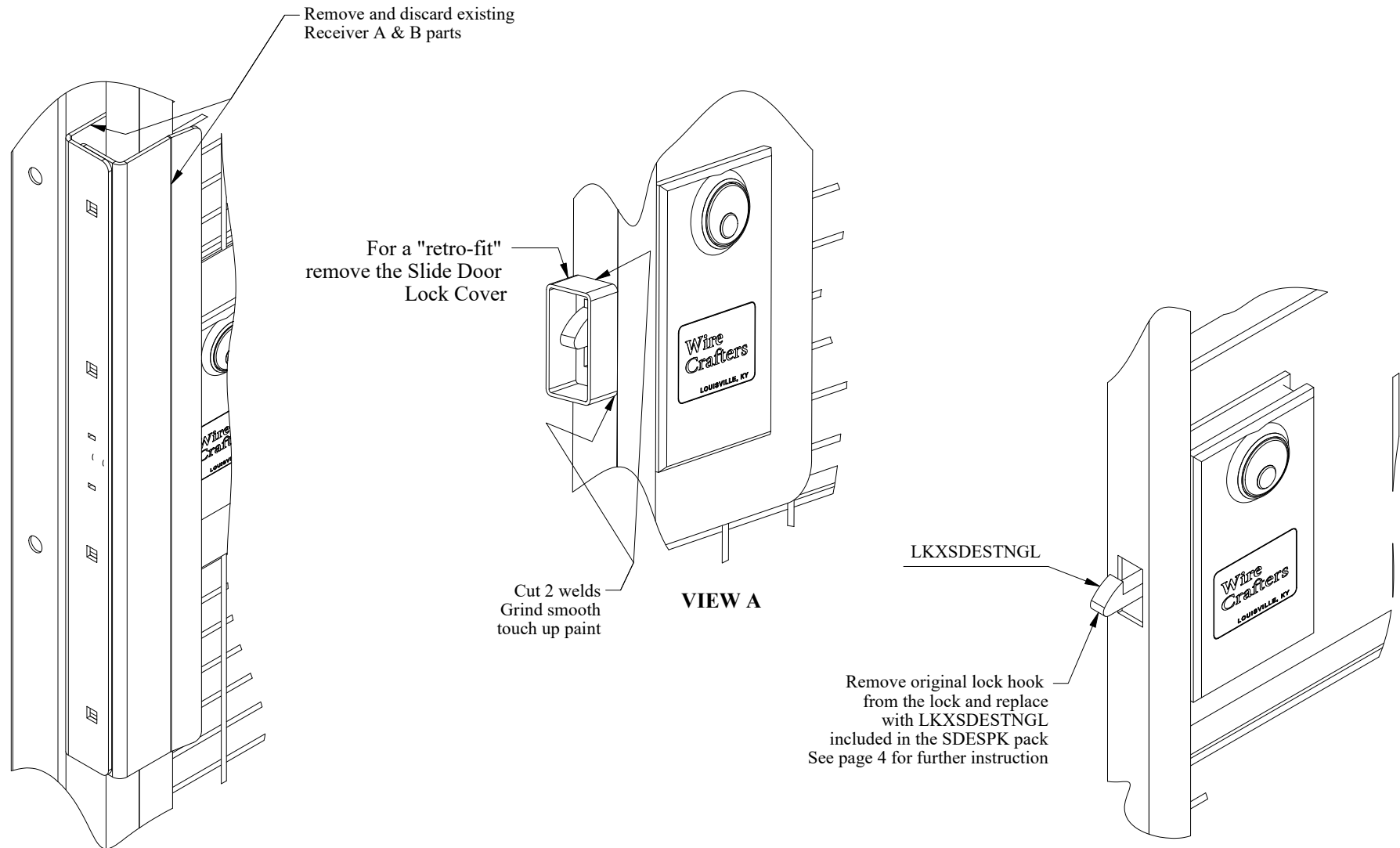
**ADJUSTMENT SECTION VIEW**



**5)** Assemble the SDESRECB Receiver B to the SDESRECA Receiver A and adjust.



NOTE: If this a "retro fit", or a "Quick Ship" the door must first be modified to remove the slide door lock cover, the existing door receivers mounted to the post and switch out the lock hook.



Thanks for using

**WireCrafters**

Wire Partition Systems

For more information on WireCrafters products please visit our website at [www.wirecrafters.com](http://www.wirecrafters.com)