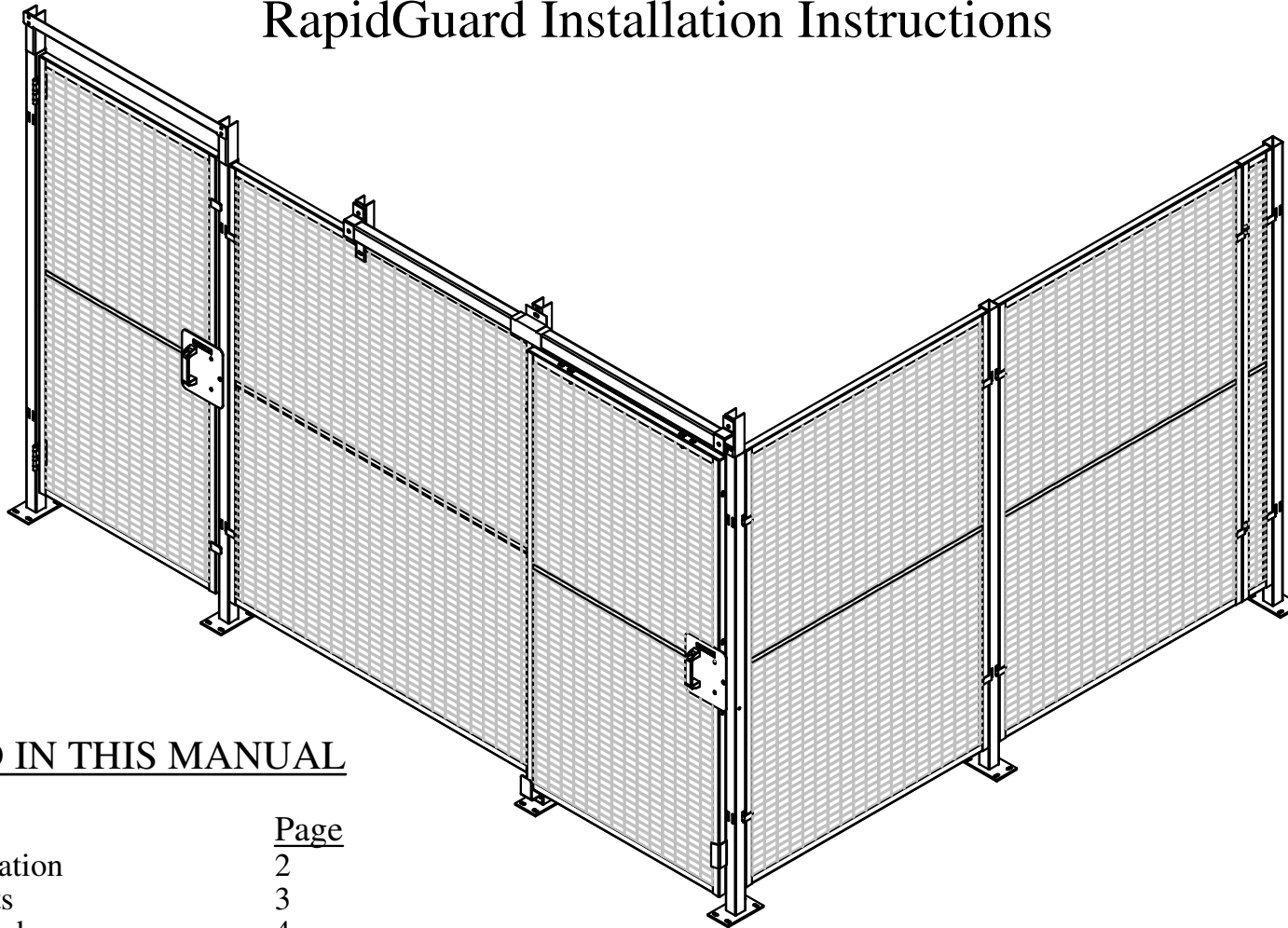


WireCrafters

RapidGuard Installation Instructions



INCLUDED IN THIS MANUAL

<u>Description</u>	<u>Page</u>
General Information	2
Panels and Posts	3
Hinge Door Hardware	4
Hinge Door	5-6
Hinge Door with Transom	7
Slide Door Hardware	8
Slide Door	9-10
Slide Door Assembly	11
Extension Panel	12

We're Here To Help
1-800-626-1816

WireCrafters, LLC.

General Information

6208 Strawberry Lane
Louisville, Kentucky 40214

502/363-6691
502/361-3857 FAX

www.wirecrafters.com
1-800-626-1816

These Installation Instructions are provided as a guide for assembling WireCrafters RapidGuard™ partition system. Due to varying job site conditions, and infinite layout possibilities, there is no “recommended” or standard way to install the product. **Common sense and proper safety measures must be used during installation.** The product may be unstable during installation; adequate temporary bracing should be used until the layout is fully assembled with all fasteners and anchors properly tightened. Depending on site and layout conditions, permanent field bracing to building structure may be necessary. Addition of field bracing is the responsibility of, and shall be done at installer’s or owner’s discretion and expense. Installation problems arising from job site conditions should be referred to a professional installer. Refer product assembly questions to WireCrafters.

TOOLS RECOMMENDED

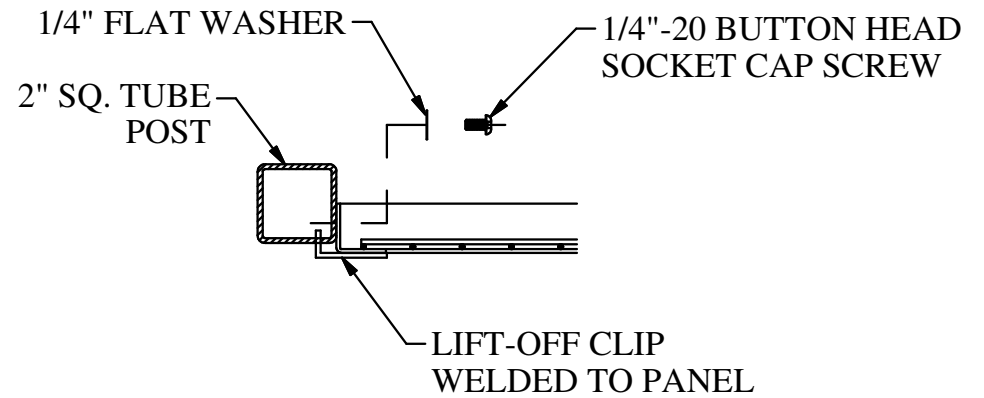
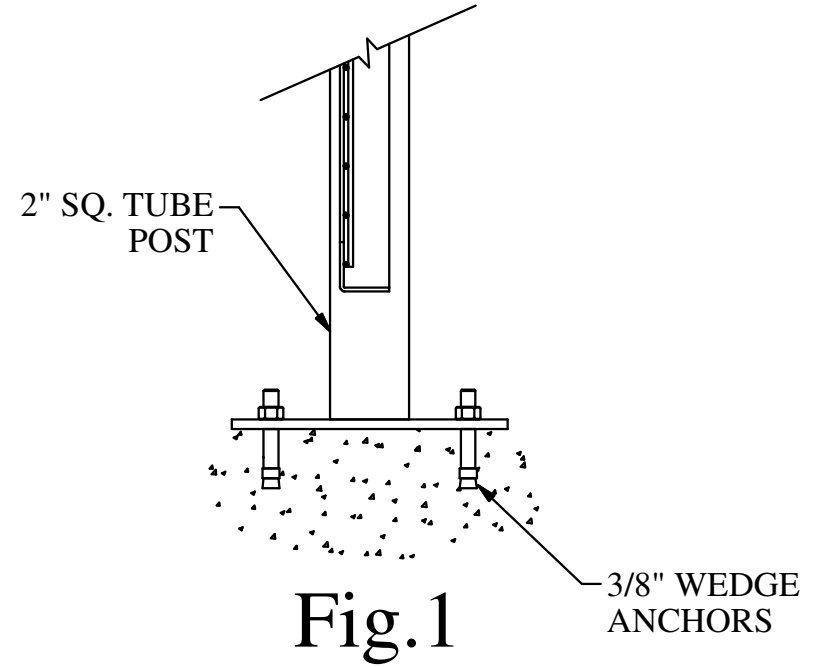
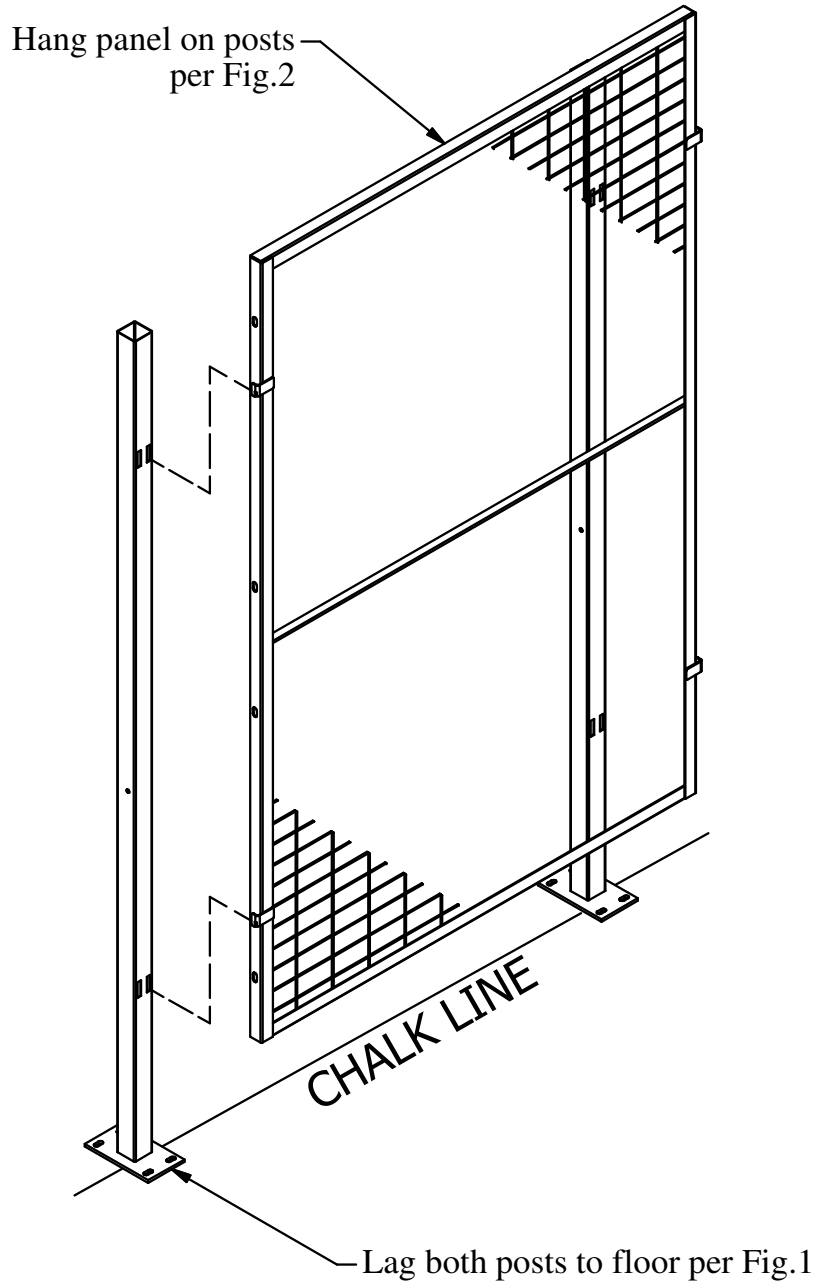
Chalk line & marker	Drill with adjustable clutch and 3/8” nut driver	(2) Step ladders
Tape Measure	Hammer Drill with 3/8” masonry bit	(2) C clamps or Vise-Grip® type clamps
Level	(2) 9/16” open end wrenches and/or	#1 & #2 Phillips Screw Driver
Hacksaw	(2) 9/16” deep socket ratchets	1/2” deep socket or 1/2” open end wrench
5/32” Allen Wrench	5/16” open end wrench	3/16” Steel drill bit

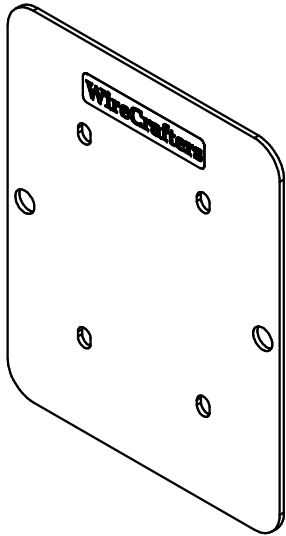
SELF DRILLING SCREW INSTALLATION RECOMMENDATIONS

When installing self drilling screws use a standard variable speed screw gun equipped with an adjustable clutch or depth locating nose piece. Take care not to over tighten or strip, set drill accordingly. **DO NOT USE IMPACT TYPE GUN WHEN INSTALLING SELF DRILLING SCREWS.** Securely clamp component parts in place before attaching with self drilling screws.

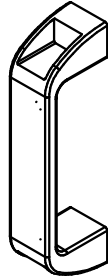
INSTALLER TIPS

1. Installation is best accomplished with a two or three person crew.
2. Before starting, review all installation instructions pertinent to your layout (i.e. panels, doors, etc.)
3. “Face Side” of the partition is the outside.. “Inside” of the partition has one leg of the panel frame pointing in. Panel fastener hardware will be on the inside of the partition.
4. Panels install vertically between posts, 2½” mesh opening should be parallel with floor.
5. Identify all panels by part number. If possible stage parts where they will be installed.
6. Special size panels have sticker tags on the angle and are referenced on drawing.
7. Make sure all posts are installed plumb (vertically perpendicular to floor). Shims (not provided) may be necessary.
8. Use a 4” spacer block (not provided) to support far end of panel during setup.
9. Begin installation process at a building wall, end or corner of layout.
10. Gauge hinge door opening width by installing header angle.
11. Gauge slide door opening by door width (e.g. 48” between posts for 4’ wide slide door). When necessary, slide door openings may be narrowed to adjust length of adjacent run.
12. Standard hinge and slide doors are universal and may be installed left or right hand.
13. Installer should touch up all nicks, marks, and scratches with touch up paint provided.

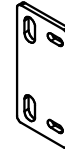




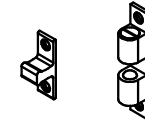
Door Plate
Quantity (1)
Part# RGDRPLT



Door Handle
Quantity (1)
Part# RGHANDLE



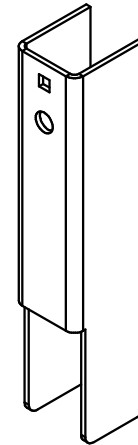
Catch Bracket for Post
Quantity (1)
Part# RGHDCBKTA



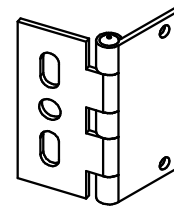
Door Catch
Quantity (1)
Part# RGCATCH



Catch Bracket for Door
Quantity (1)
Part# RGHDCBKTB



Post Extension Bracket
Quantity (2)
Part# RGTRKXMBP



Door Hinge
Quantity (2)
Part# HDHG44IPL

RGHDFSPK - Fastener Pack (Contents Below)

- (8) FS38STA - 3/8" Wedge Anchor
- (4) FS1412BHSCS - 1/4"-20 Button Head Sockets
- (6) FS632FN - #6 Flange Nuts
- (6) FS63238FHMS - #6 Phillips Flat Head Machine Screws
- (4) FS381 - 3/8" x 1" Hex Head Cap Screw
- (4) FS38N - 3/8" Hex Nut
- (8) FS38FW - 3/8" Flat Washer
- (10) FS14SDST - 1/4"-14 x 1" Self-Drilling & Tapping Screw
- (14) FS14FW - 1/4" Flat Washer
- (4) FS141CB - 1/4"-20 x 1" Carriage Bolts
- (4) FS141N - 1/4"-20 Hex Nut
- (2) FS5161CB - 5/16" x 1" Carriage Bolts
- (2) SUD516N - 5/16"-18 Hex Nut

NOTE: 8' High Posts, See Page 7

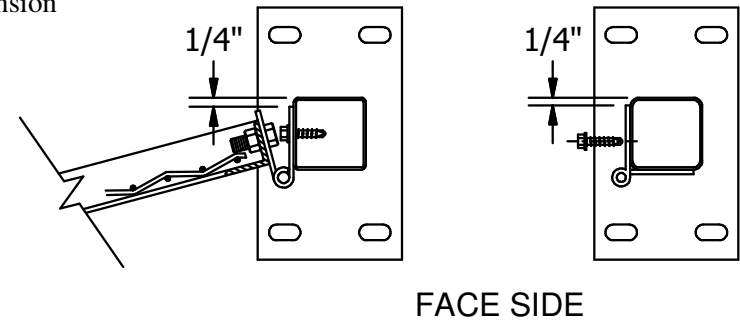
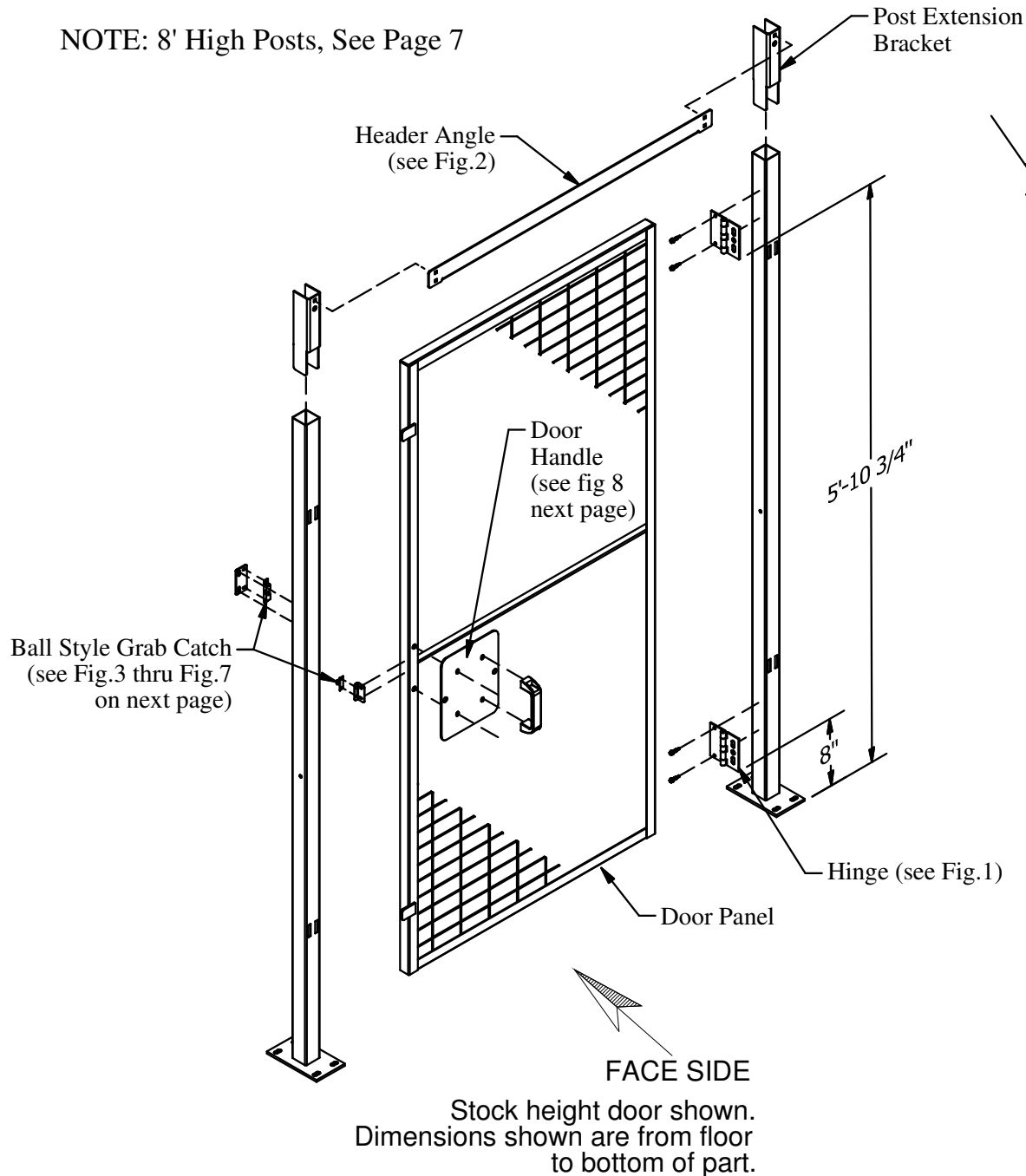


Fig. 1

INSTALLATION TIP:

- 1) When attaching hinge to door post wrap hinge around post (as shown in drawing) to set proper offset alignment
- 2) Dimensions on this page are shown for a door panel 6'-2 3/4" tall with a 4" sweep space.

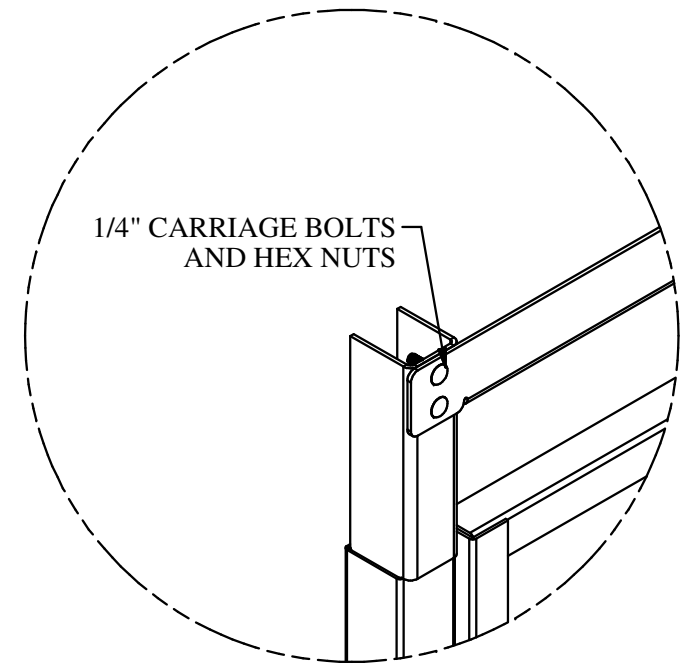


Fig.2

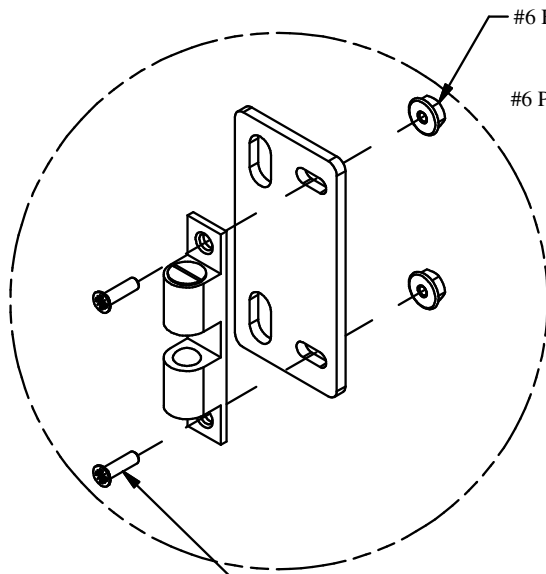


Fig. 3

#6 PHILLIPS FLAT HEAD MACHINE SCREWS

#6 FLANGE NUTS

#6 PHILLIPS FLAT HEAD MACHINE SCREWS

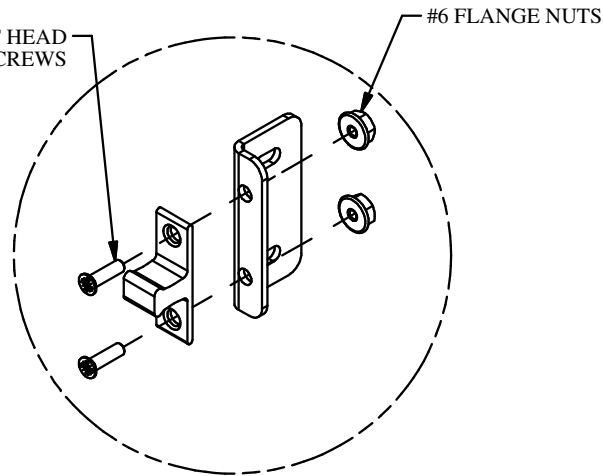


Fig. 4

#6 FLANGE NUTS

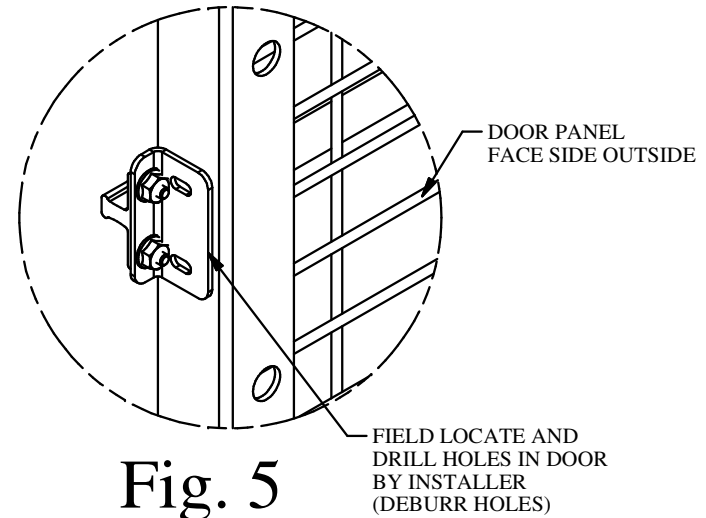


Fig. 5

DOOR PANEL FACE SIDE OUTSIDE

FIELD LOCATE AND DRILL HOLES IN DOOR BY INSTALLER (DEBURR HOLES)

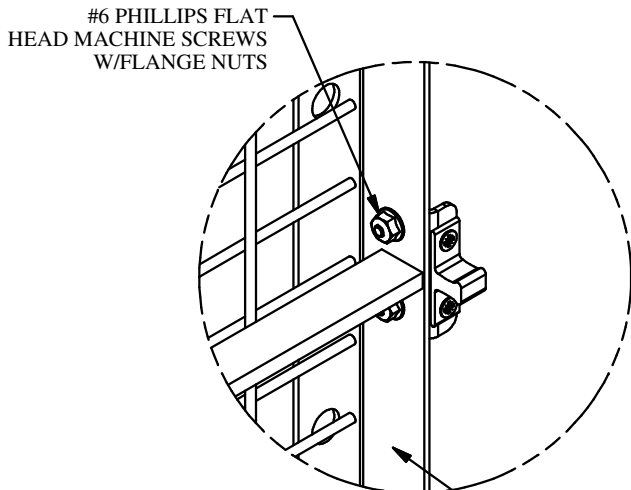


Fig. 6

DOOR PANEL INSIDE

#6 PHILLIPS FLAT HEAD MACHINE SCREWS W/FLANGE NUTS

SELF-DRILLING AND TAPPING SCREWS

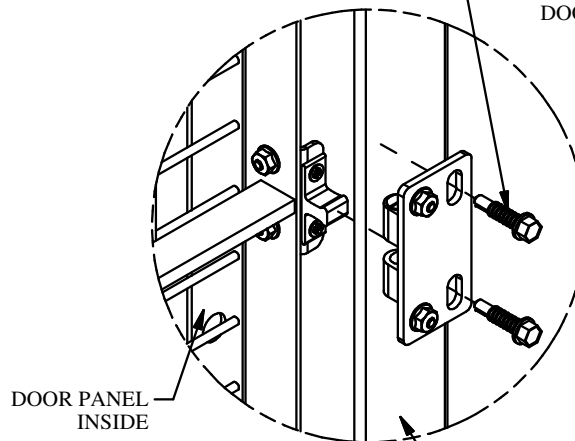


Fig. 7

DOOR PANEL INSIDE

2" SQ POST

3/8" CARRIAGE BOLTS

DOOR HANDLE

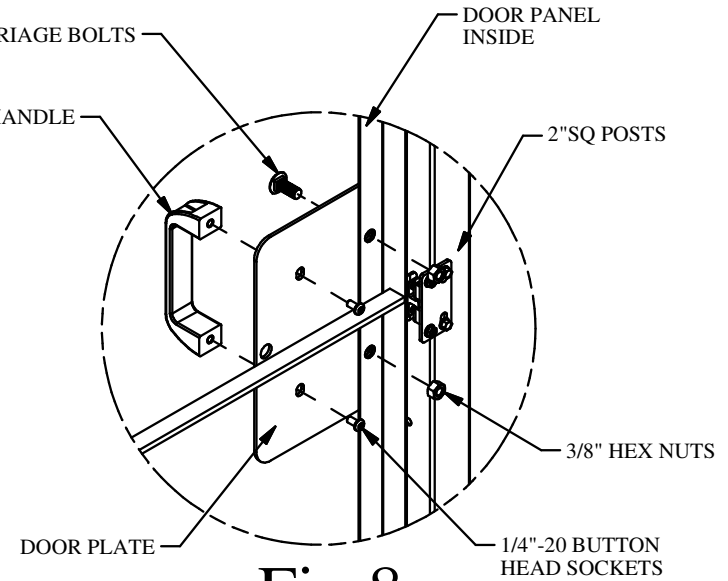


Fig. 8

DOOR PLATE

1/4"-20 BUTTON HEAD SOCKETS

DOOR PANEL INSIDE

2" SQ POSTS

3/8" HEX NUTS

NOTE: MESH NOT SHOWN FOR CLARITY

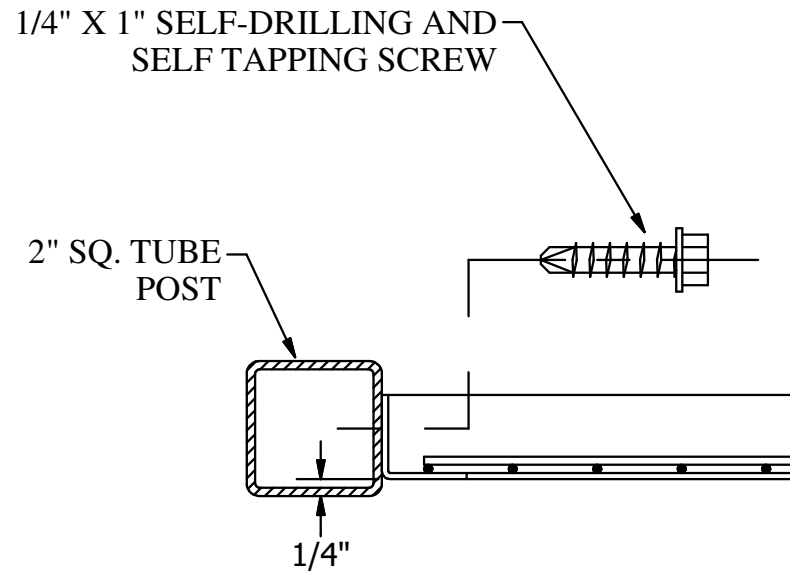
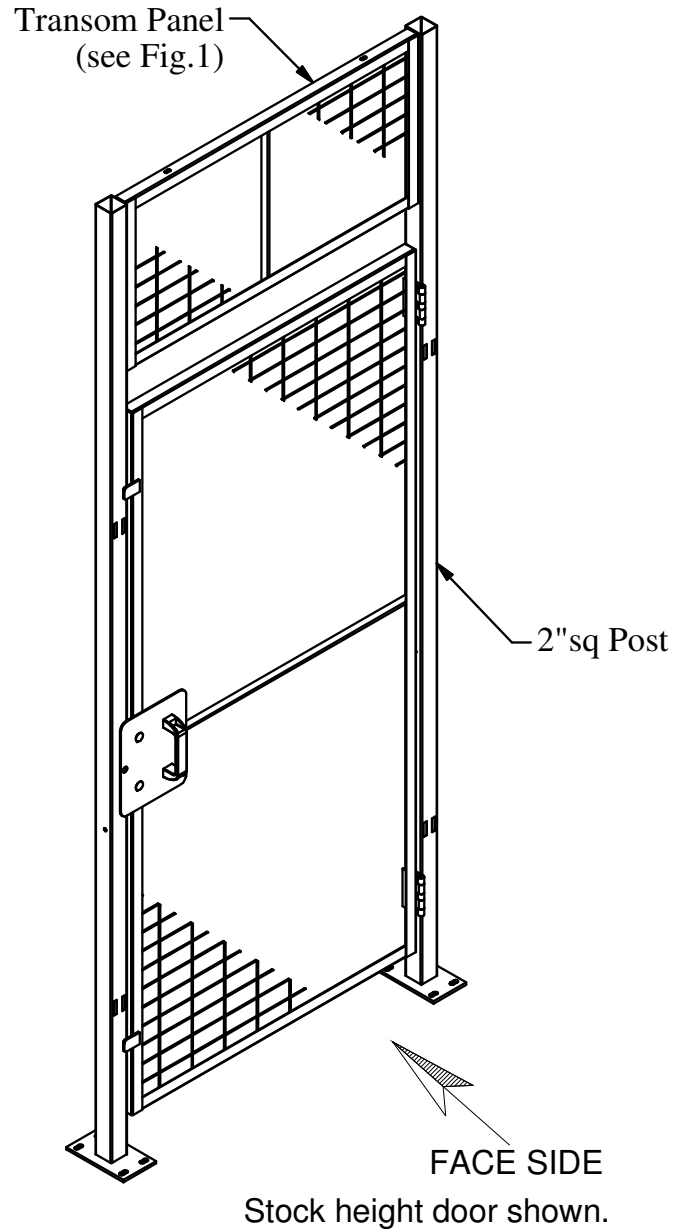
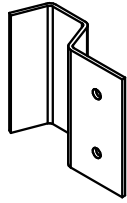
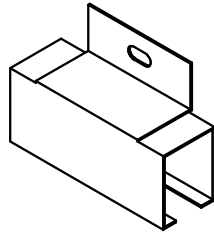


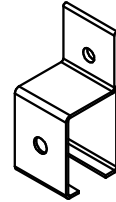
Fig.1



Keeper Plate
Quantity (1)
Part# RGSDKI



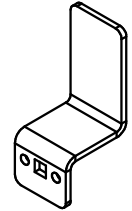
Splice Track Bracket
Quantity (1)
Part# RGSDTJBKT



Slide Door Track Bracket
Quantity (2)
Part# RGSDTCBKT



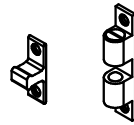
4 Wheel Trolley Truck
Quantity (2)
Part# SDTT4WH



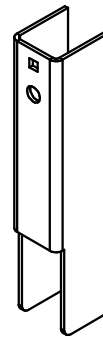
Door Guide
Quantity (1)
Part# RGSDBGO



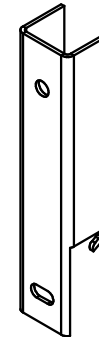
Slide Door Catch Bracket
Quantity (1)
Part# RGSDCBKT



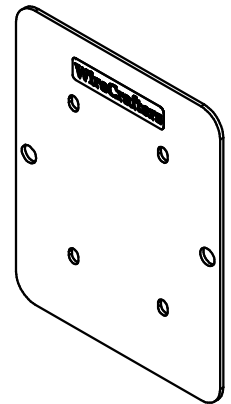
Door Catch
Quantity (1)
Part# RGCATCH



Post Extension Bracket
Quantity (2)
Part# RGTRKXMBP



Panel Extension Bracket
Quantity (1)
Part# RGTRKXMB



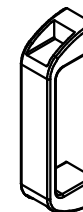
Door Plate
Quantity (1)
Part# RGDRPLT

RGSDFPSK - Fastener Pack (Contents Below)

- (8) FS38STA - 3/8" Wedge Anchor
- (4) FS1412BHSCS - 1/4"-20 Button Head Sockets
- (4) FS632FN - #6 Flange Nuts
- (4) FS63238FHMS - #6 Phillips Flat Head Machine Screws
- (3) FS381 - 3/8" x 1" Hex Head Cap Screw
- (5) FS38N - 3/8" Hex Nut
- (10) FS38FW - 3/8" Flat Washer
- (1) FS381CB - 3/8" x 1" Carriage Bolts
- (1) FS38234STB - 3/8" x 2 3/4" Carriage Bolts
- (1) FS38LN - 3/8"-16 Nylon Insert Lock Nut
- (6) FS14SDST - 1/4"-14 x 1" Self-Drilling & Tapping Screw
- (2) FS5161CB - 5/16" x 1" Carriage Bolts
- (2) SUD516N - 5/16"-18 Hex Nut

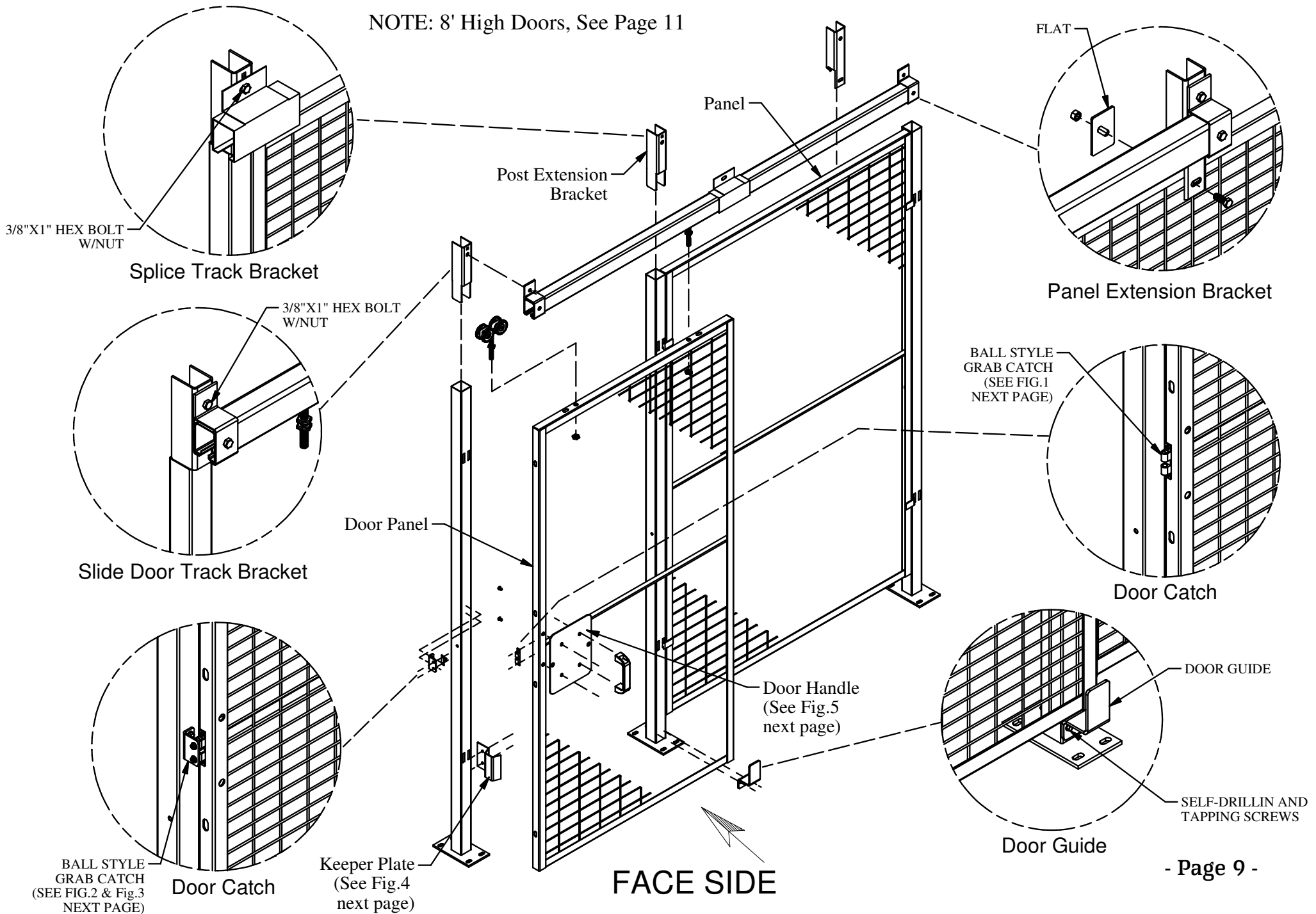


Flat
Quantity (1)
Part# RGAPFL



Door Handle
Quantity (1)
Part# RGHANDLE

NOTE: 8' High Doors, See Page 11



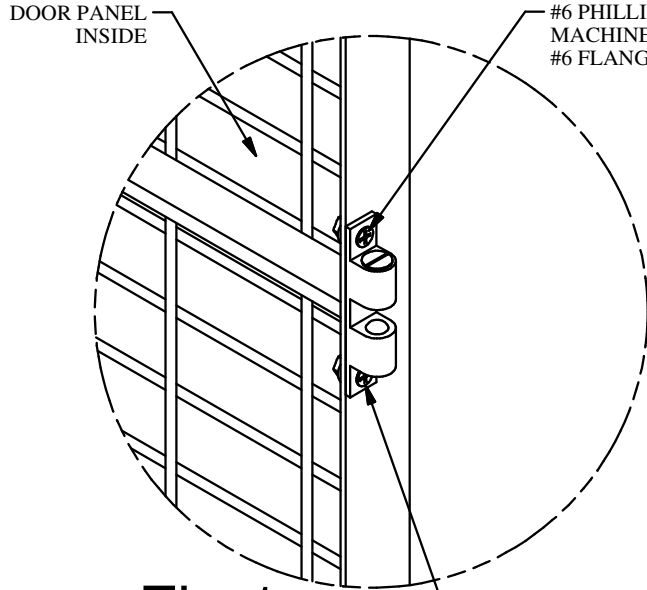


Fig. 1

FIELD LOCATE AND DRILL HOLES IN DOOR BY INSTALLER (DEBURR HOLES)

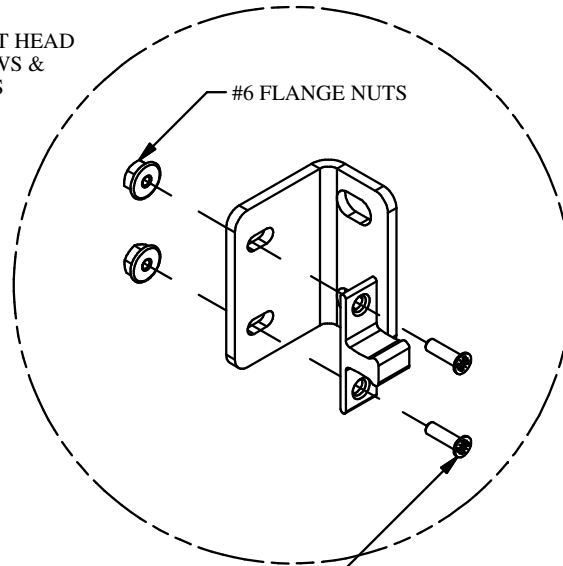


Fig. 2

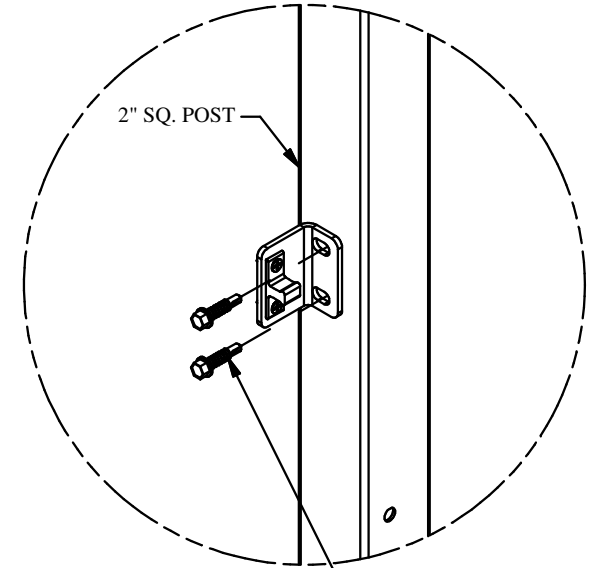


Fig. 3

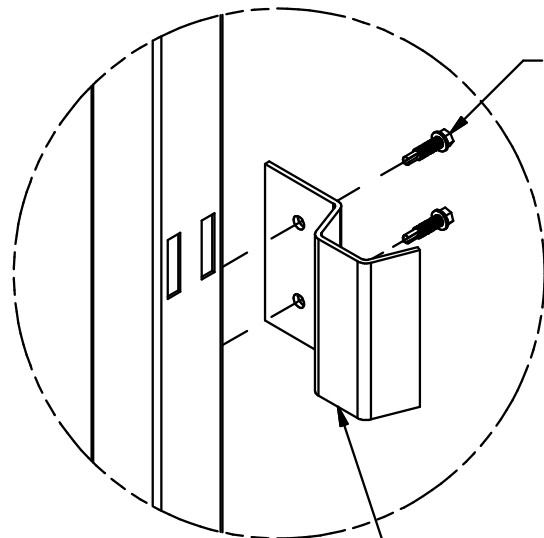


Fig. 4

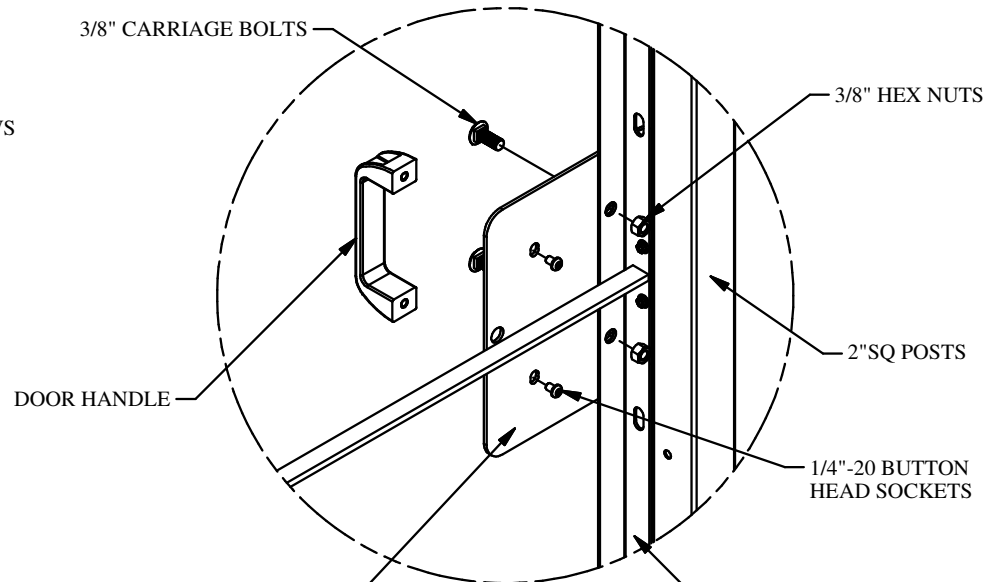
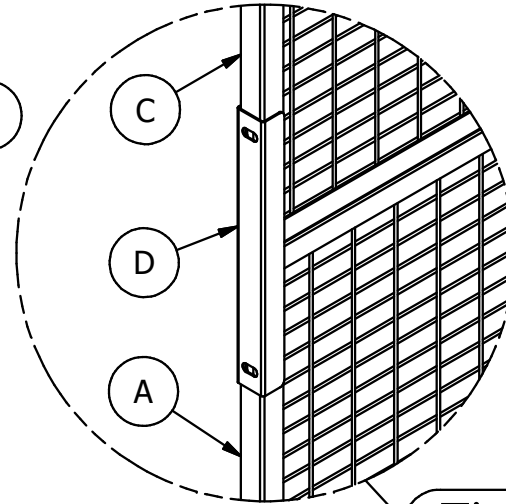
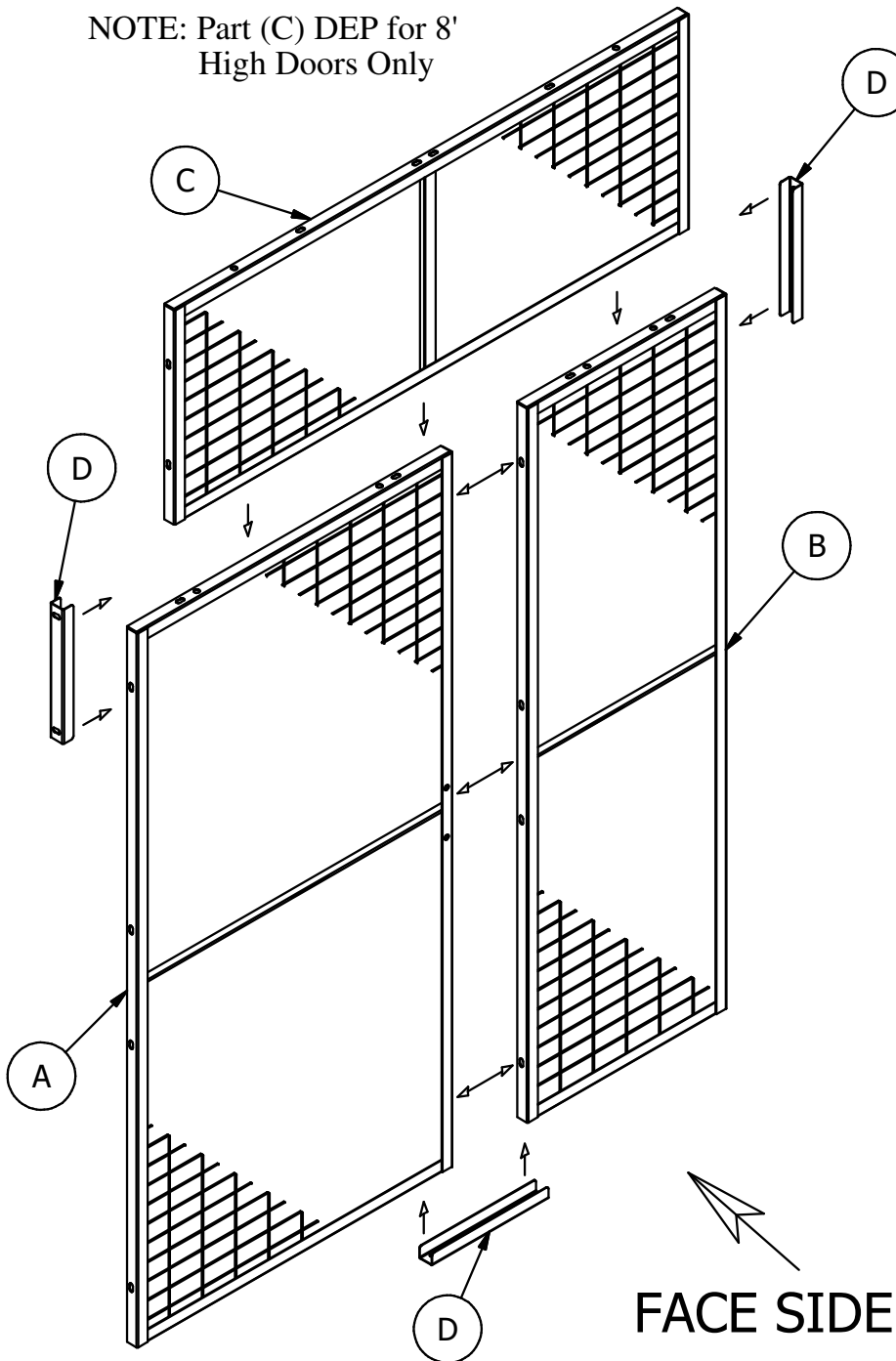


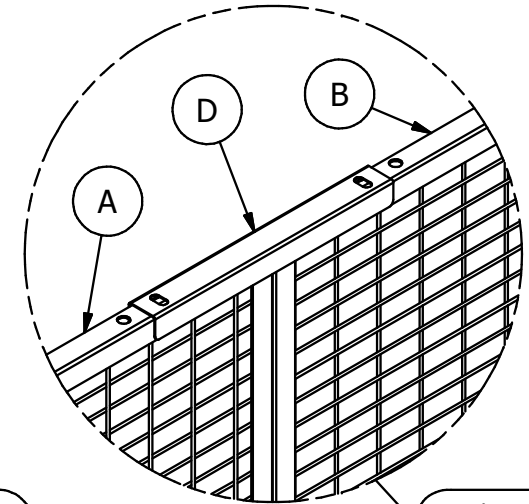
Fig. 5

NOTE: Part (C) DEP for 8'
High Doors Only



8' High Doors

Fig.1

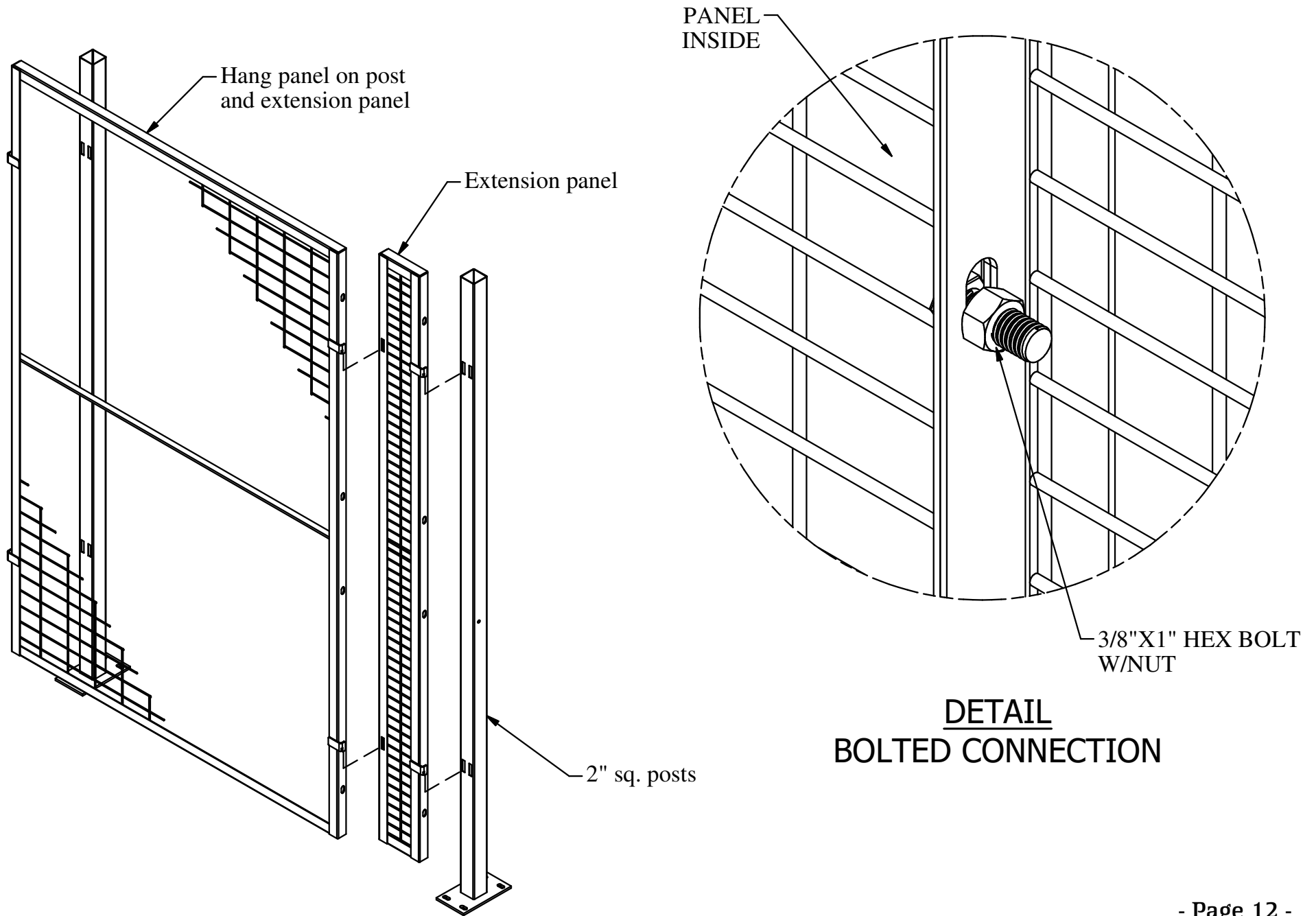


6' High Doors

Fig.2

SLIDE DOOR PANEL ASSEMBLY

1. Attach door panel (A) to leaf panel (B) with 3/8" x 1" bolts.
2. For 8' high doors, attach 1'-10 1/2" high DEP panel (C)
 - a. Attach two 18" DEP Channels (D) with 3/8" x 1" carriage bolts to splice connection between door and DEP see Fig.1.
3. For 6' high doors, attach one 18" DEP Channel (D) per joint, to top frame with 3/8" x 1" carriage bolts, see Fig.2.
4. Attach lower DEP Channel (D) to bottom of door with 3/8" bolts and nuts.



Thanks for using
WireCrafters
RapidGuard partitions.

Tool Cribs * Storage Lockers * Machine Guards * Mezzanine Rails * Pallet Rack Backs * Security Enclosures