

RapidGuard II: RapidSlide Door Installation Instructions

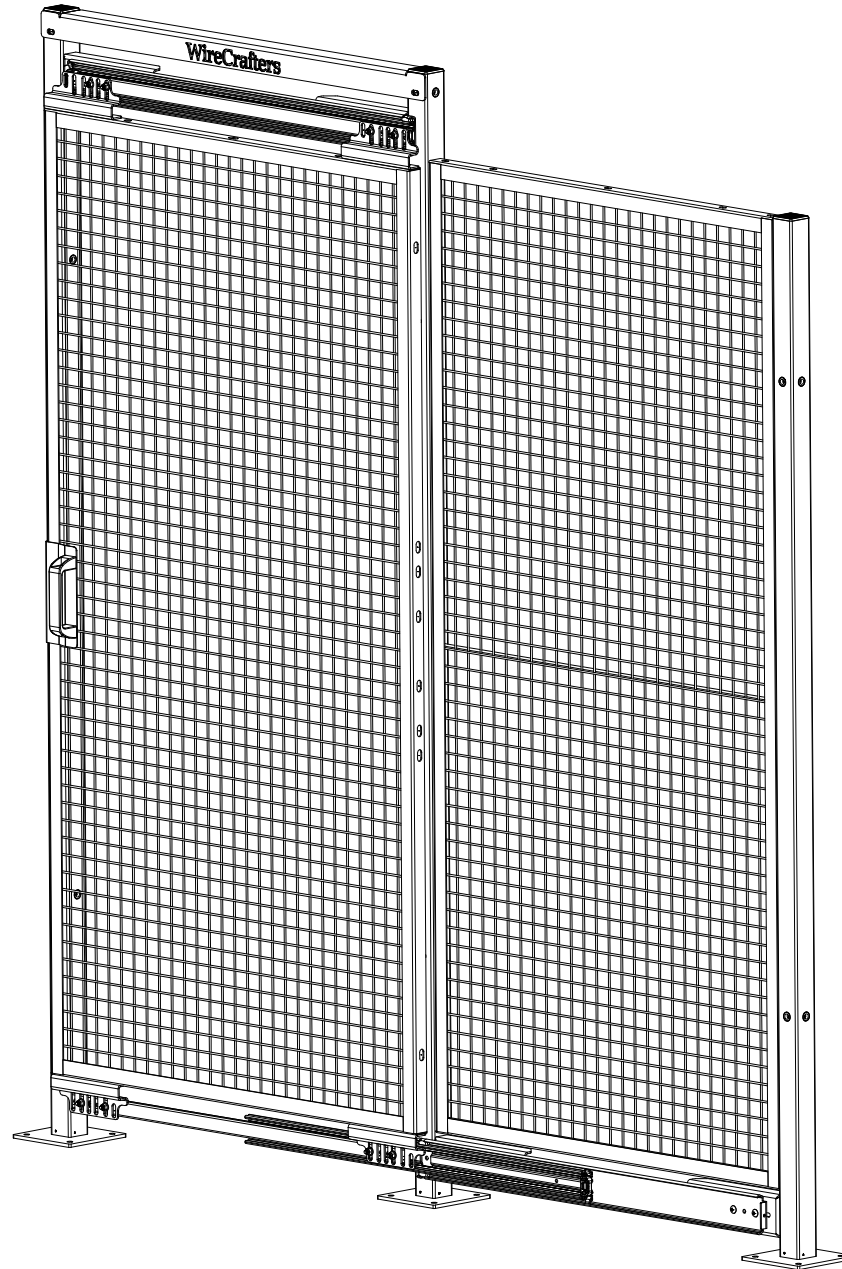


Table of Contents

Description	Page
Introduction	2
Hardware Pack	3
Door Sub-Assembly	4
Upper Slide Install	5
Upper Slide Install #2	6
Post Bracket Install	7
Door Install Position #1	8
Door Install Position #2	9
Door Install Position #3	10
Stop And Determine Your Installation	11
Lower Slide Install Std	12
Lower Slide Install Position #2	13
Lower Slide Install Pnl Mnt Option	14
Lower Slide Install Pnl Mnt Finish	15
Door To Lower Slide Install	16
Handle Install	17

We're Here To Help
1-800-626-1816

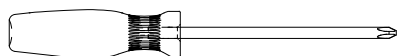
RapidGuard II: RapidSlide Door

Introduction

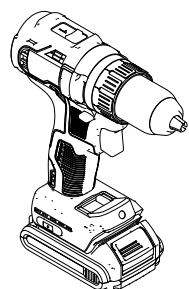
- Before beginning:

- Read the entire installation instruction before starting work.
- This manual covers installation instructions for the RapidGuard II slide door with drawer slides (www.https://www.wirecrafters.com/resources/installation/)
- Refer to RapidGuard II installation instructions for direction on installing posts and panels. (www.https://www.wirecrafters.com/resources/installation/)
- These instructions show a right hand open - door setup, the left hand open - door setup is the same except symmetrically opposite.
- Whatever your door opening (36", 48", 60" for example) that distance between door posts, MUST NOT be over that dimension, it can be less than by an 1/8" or more. Otherwise the door will not fully close and leave a gap.

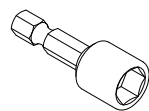
Recommended Tools



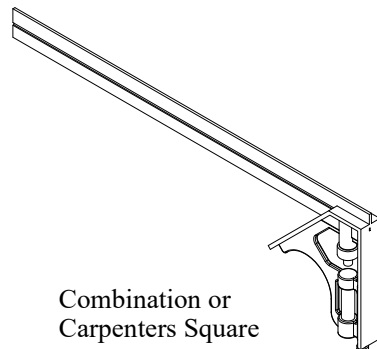
PH#3 (large phillips)
PH-3 #3 Phillips Screw Driver
Or Bit



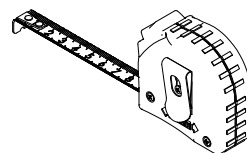
Drill / Driver



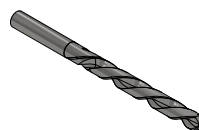
3/8 Nut Driver



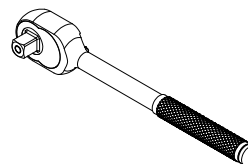
Combination or
Carpenters Square



Tape Measure



5/16 Drill Bit
(Panel mount option only)



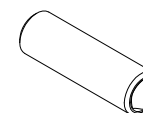
Ratchet



10mm Socket



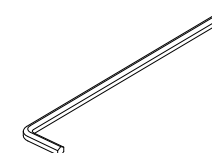
7/16 Socket



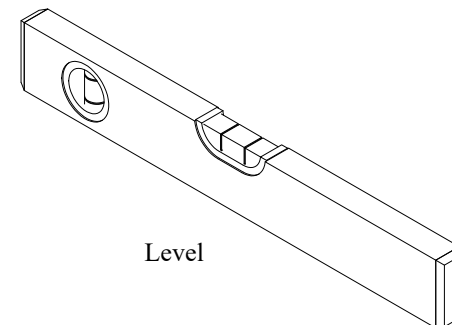
9/16 Deep Socket



1/2 Socket



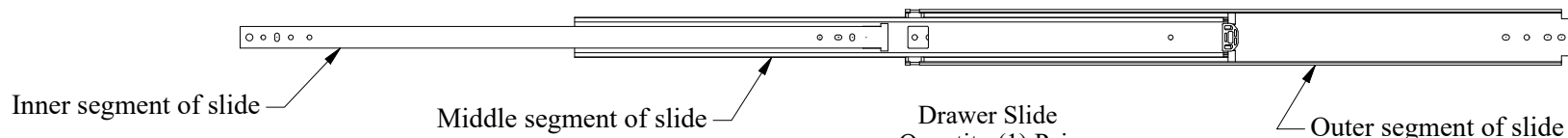
5/32 Hex Key or Bit



Level

RapidGuard II: RapidSlide Door

Hardware Pack



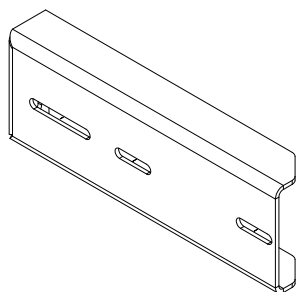
Inner segment of slide

Middle segment of slide

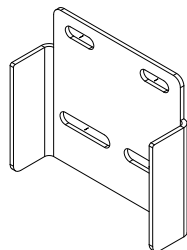
Drawer Slide
Quantity (1) Pair

Outer segment of slide

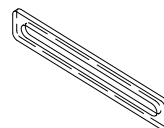
Part# SDDS3 (3') or SDDS4 (4') or SDDS5 (5')
3' Slide = 6' extended, 4' slide = 8' extended, 5' Slide = 10' extended



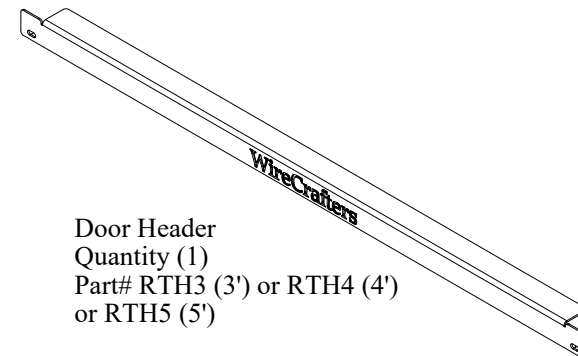
Post Mounting Bracket
Quantity (4)
Part# RTSDDSPSTBKT



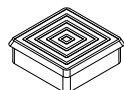
Panel Mounting Bracket
Quantity (1)
Part # RTSDDSPNLBKT
(Use only with the panel mount option)



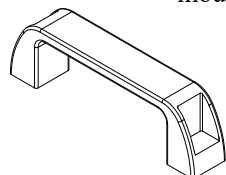
Mesh Flat Washer
Quantity (2)
RTDSPNLBCKPLT



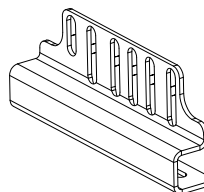
Door Header
Quantity (1)
Part# RTH3 (3') or RTH4 (4')
or RTH5 (5')



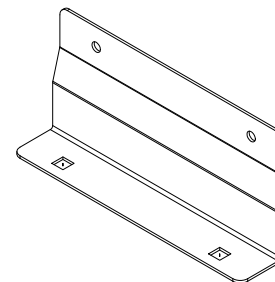
Post Cap
Quantity (3)
Part # PCAPPLST



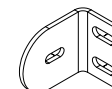
Door Handle
Quantity (1)
Part# RGHANDLE



Door Mounting Bracket
Quantity (4)
Part# RTSDDSDRBKT



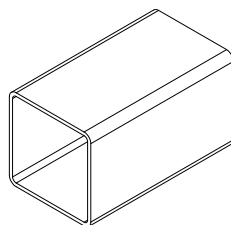
Door Handle Bracket
Quantity (1)
Part# SDMGBKTHNDL



Magnet Bracket
Quantity (1)
Part# SDMGCTHRCVR

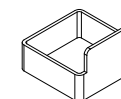
RTSDDSFSPK - RapidSlide Door Hardware Pack
Includes These Fasteners

- (2) FS1412BHSCS 1/4" X 1/2" Button Cap Screw
- (4) FS14SDST - 1/4" X 1" Self-Drilling Screw
- (12) FS38STA - 3/8" X 3" Stud Anchor
- (2) FS516FN - 5/16" Flange Nut
- (2) FS5161CB - 5/16" X 1" Carriage Bolt
- (26) SUD14LN - 1/4" Lock Nut
- (26) FS14FW - 1/4" Washer
- (8) FS1434CB - 1/4" X 3/4" Carriage Bolt
- (2) FS141CB - 1/4" X 1" Carriage Bolt
- (15) FS51634FB - 5/16" X 3/4" Flange Bolt
- (1) HDPBMAG - Door Magnet
- (1) HDPBMAGANUT - M6 Acorn nut
- (16) FS1434THP - 1/4" X 3/4" Truss #3PH Screw
- (1) HDPBMAGWSHR - Magnet Washer



Door Sweep Space Gauge
Quantity (2)
Part# SWPSPACRC514

These 2 spacers are to be used during installation and can be discarded after.



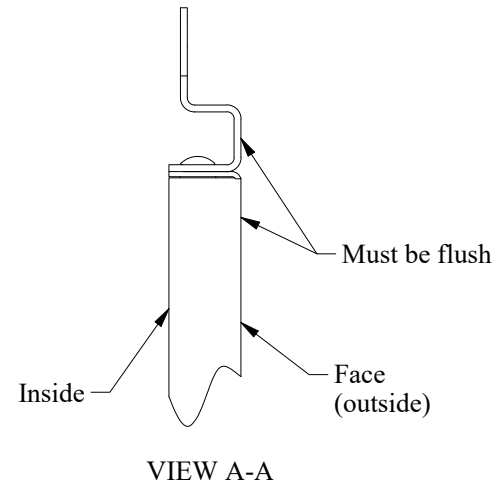
3/4" Slide Setting Gauge
Quantity (2)
Part# RTSDDSSPACR34

RapidGuard II: RapidSlide Door

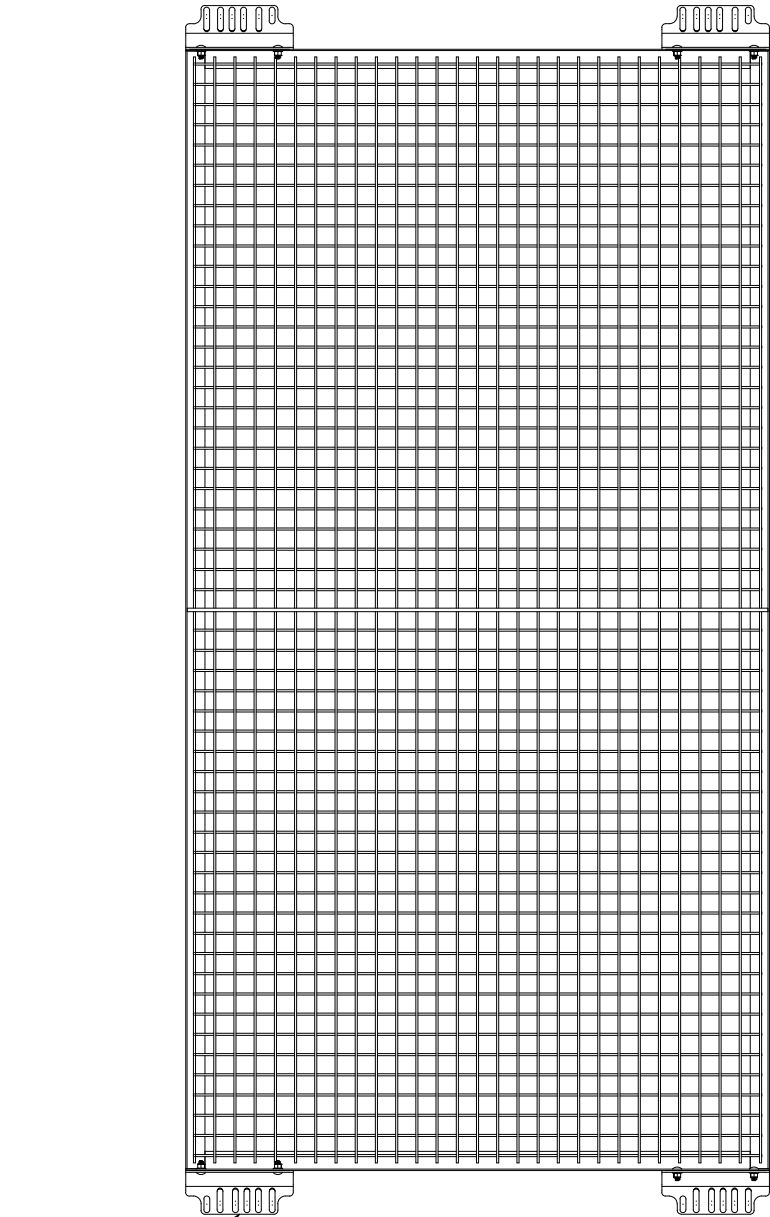
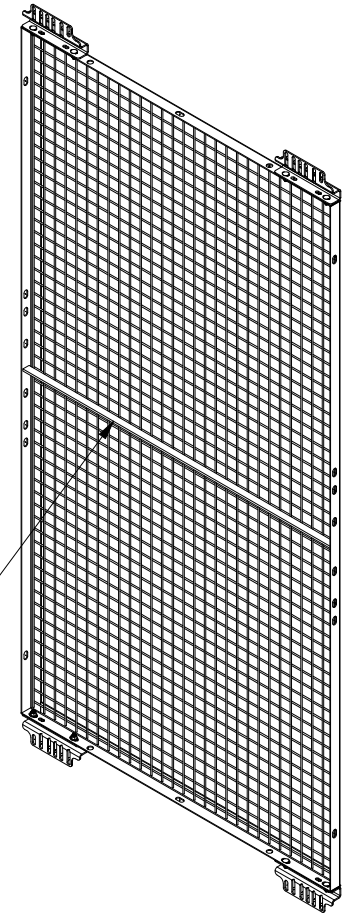
Door Sub-Assembly

A
←

***SAME FOR RIGHT
& LEFT HAND***



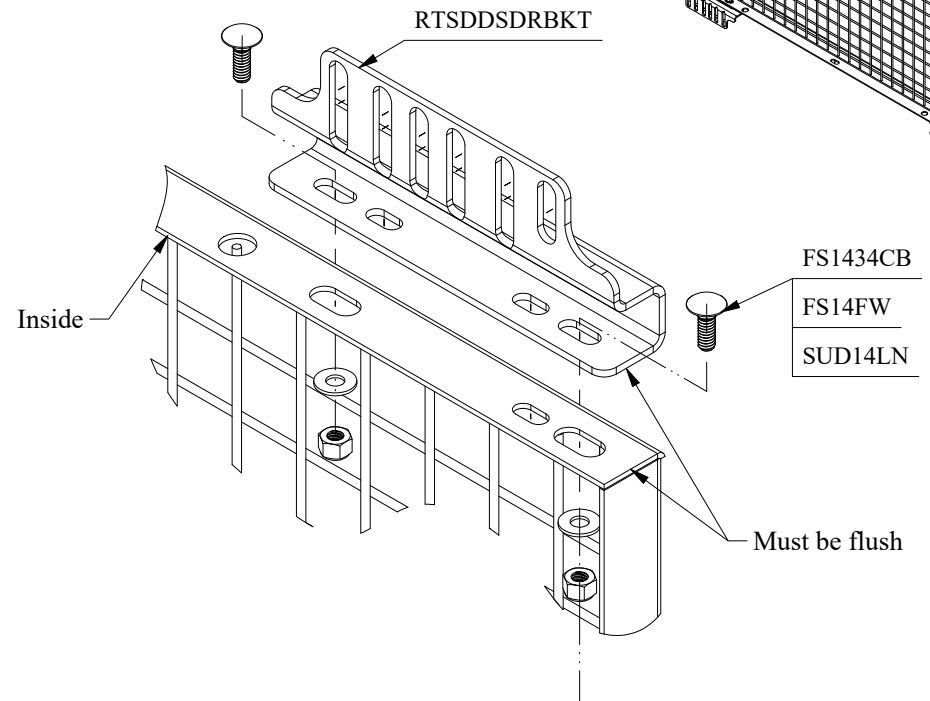
Looking at the
INSIDE of the
door



RTSDDSDRBKT

BACK (INSIDE) VIEW

←
A

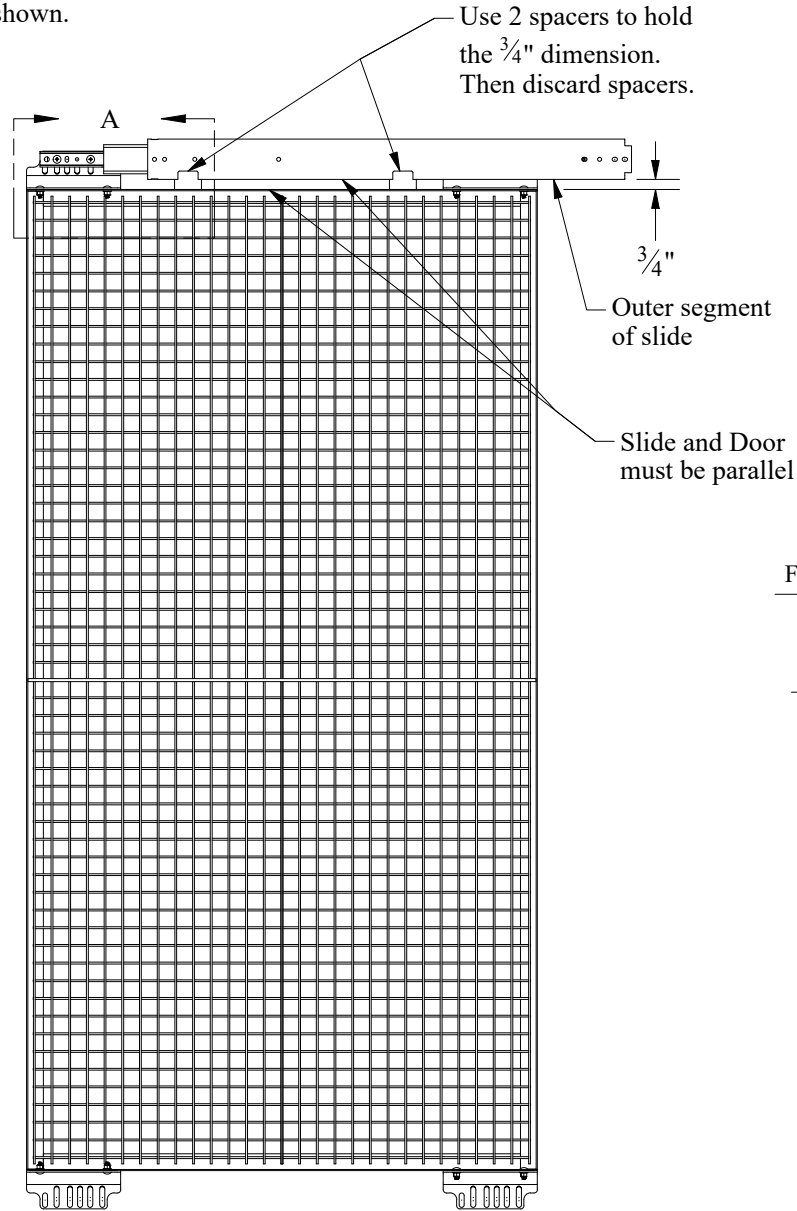
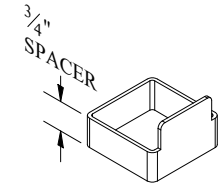


RapidGuard II: RapidSlide Door

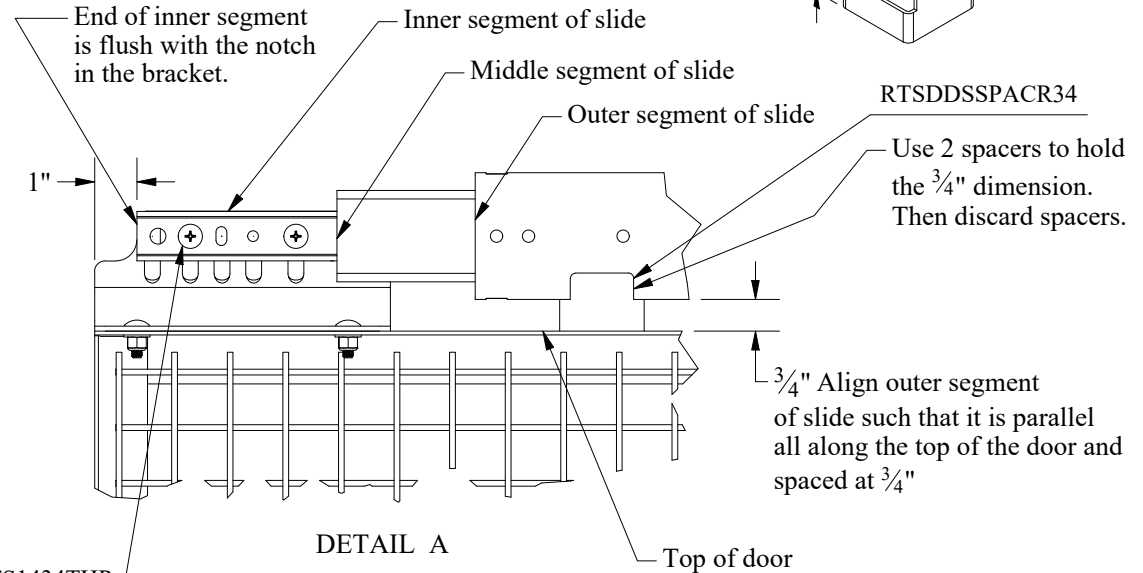
Upper Slide Install

With the door laying face down.
(inside of door up).
Lay the upper slide on the 2 brackets
as shown, and open the slide about 6" to
expose the hole pattern in the slide
as shown.

RIGHT HAND OPEN SHOWN
REVERSE FOR LEFT HAND

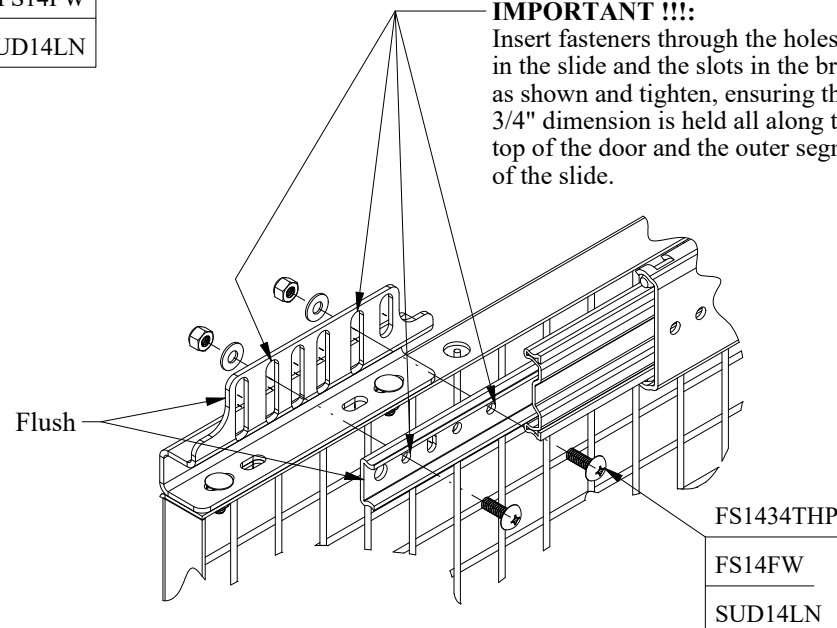


BACK (INSIDE) VIEW



FS1434THP
FS14FW
SUD14LN

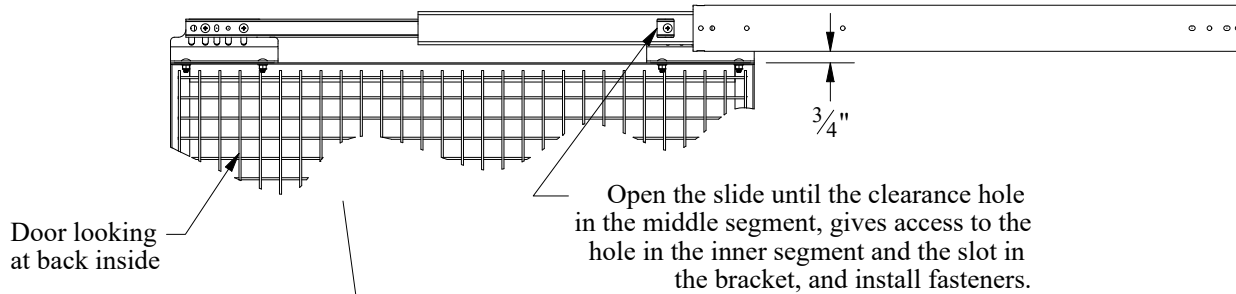
IMPORTANT !!!:
Insert fasteners through the holes in the slide and the slots in the bracket as shown and tighten, ensuring the 3/4" dimension is held all along the top of the door and the outer segment of the slide.



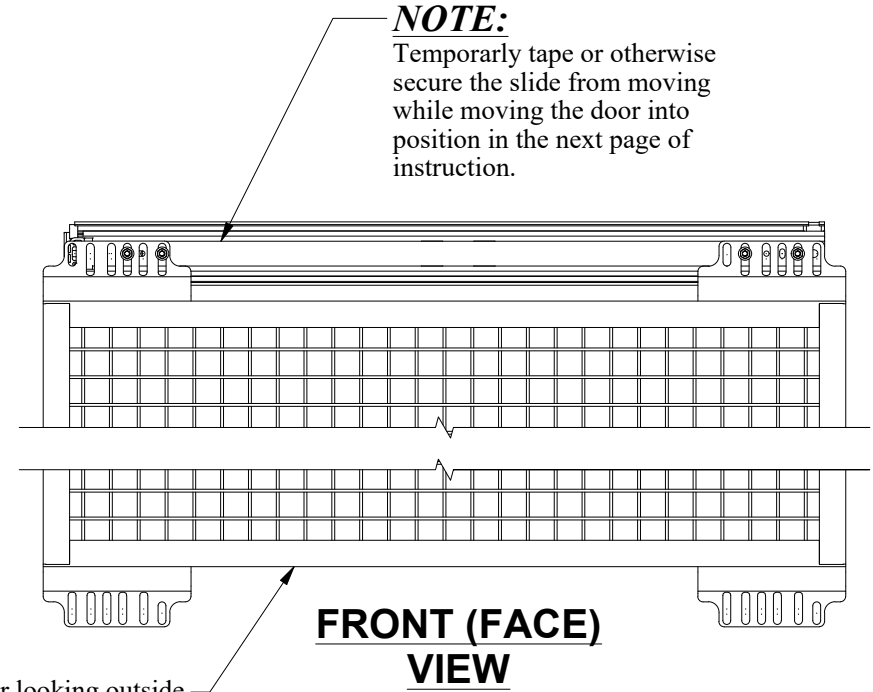
RapidGuard II: RapidSlide Door

Upper Slide Install #2

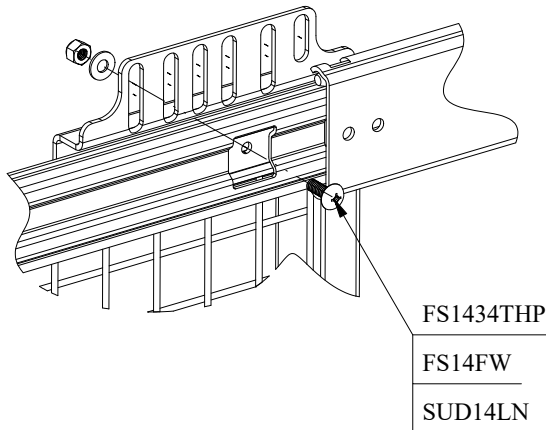
**RIGHT HAND OPEN SHOWN
REVERSE FOR LEFT HAND**



BACK (INSIDE) VIEW

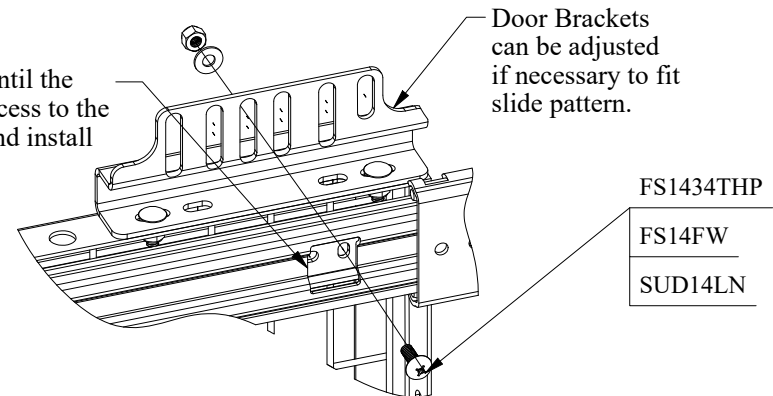


NOTE:
Temporarily tape or otherwise secure the slide from moving while moving the door into position in the next page of instruction.



BACK (INSIDE) VIEW

Again move the slide until the clearance hole gives access to the 2nd set of holes/slots and install fasteners

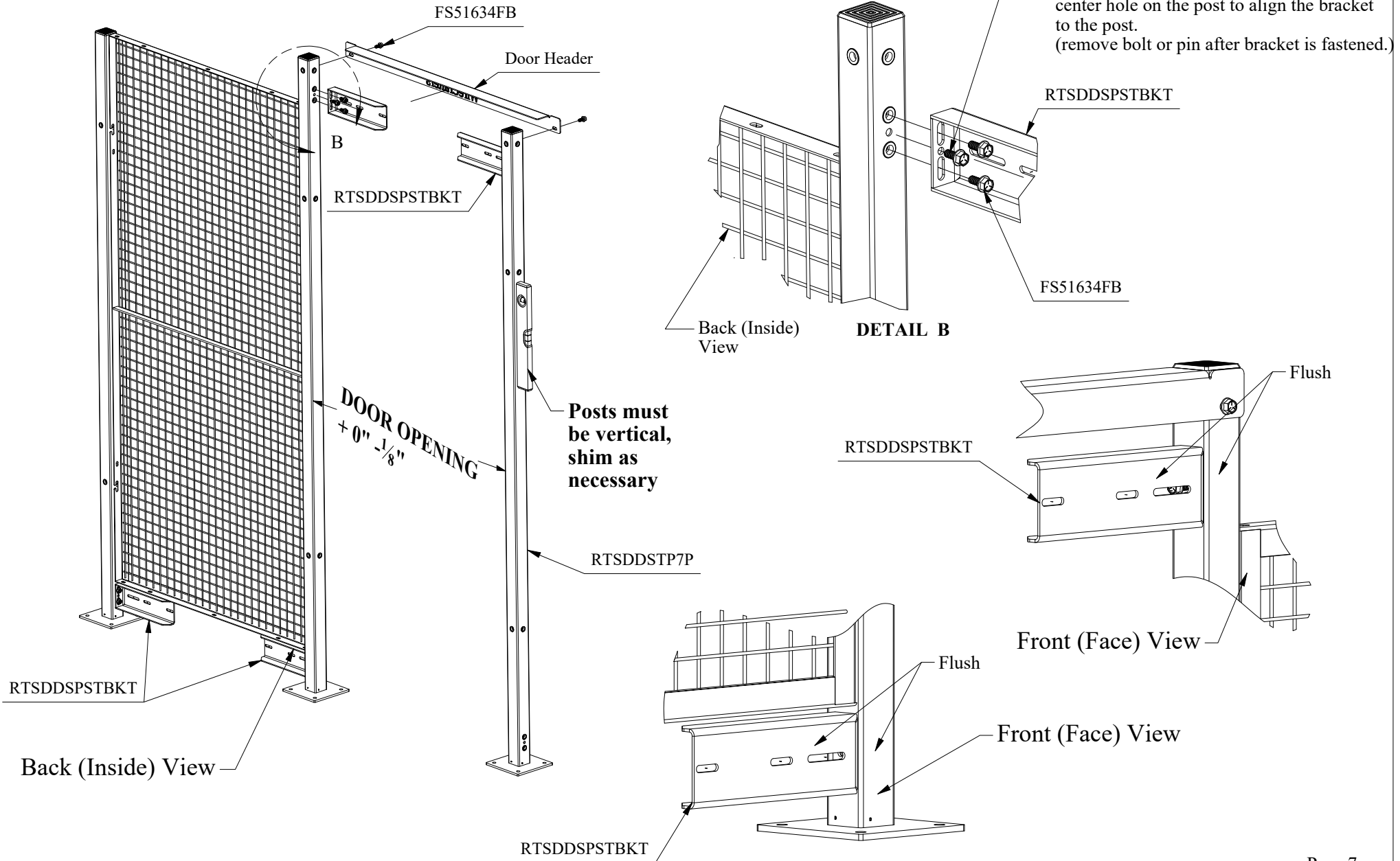


BACK (INSIDE) VIEW

RapidGuard II: RapidSlide Door

Post Bracket Install

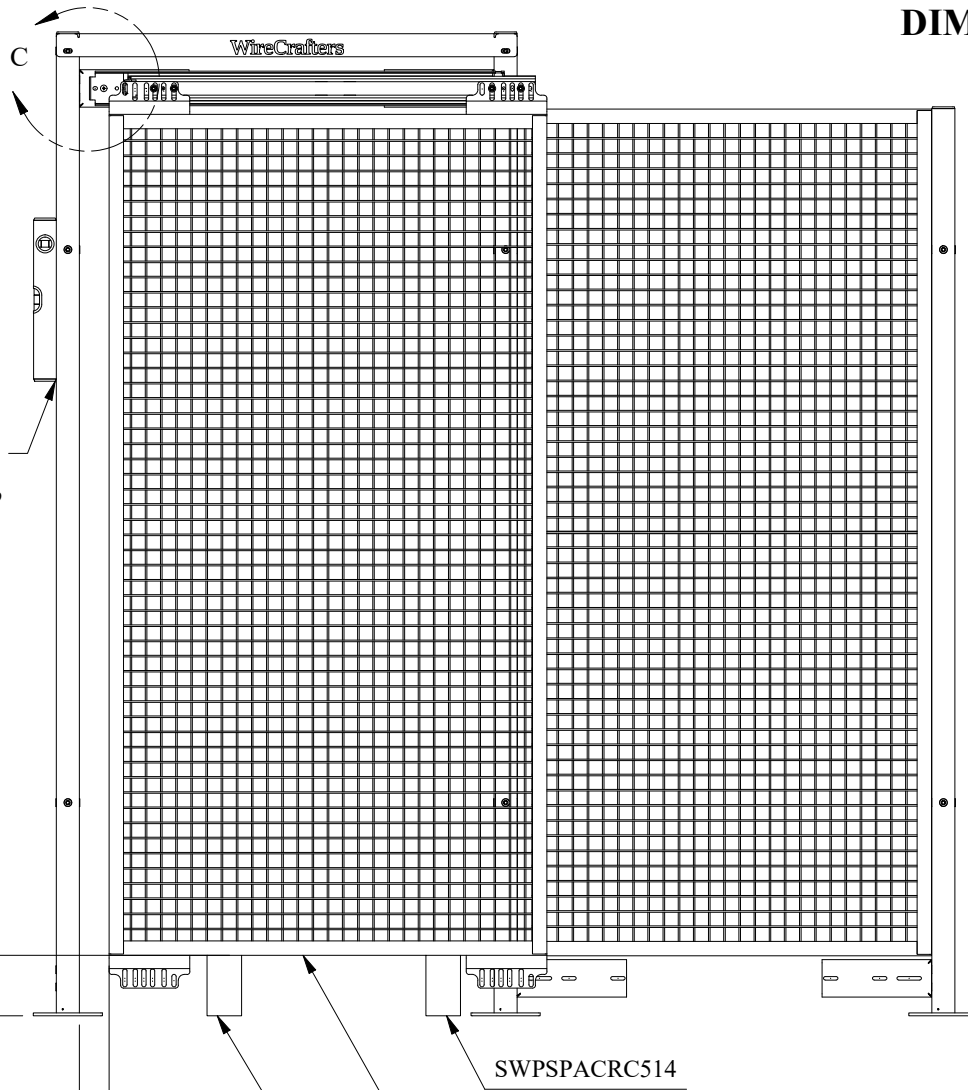
RIGHT HAND OPEN SHOWN
REVERSE FOR LEFT HAND



RapidGuard II: RapidSlide Door

Door Install Position #1

RIGHT HAND OPEN SHOWN
REVERSE FOR LEFT HAND



Posts must be vertical, shim as necessary

PLACE DOOR AS SHOWN APPROXIMATELY 3"

Place door assembly on sweep spacers as shown and temporarily secure as necessary.

Position door sweep spacers approximately as shown.

$2\frac{7}{8}$ "
!! HOLD THIS DIMENSION !!

Extend outer segment of slide as shown, to expose the hole pattern. Install one set of fasteners, tighten while holding the $2\frac{7}{8}$ " dimension.

- FS1434THP
- FS14FW
- SUD14LN

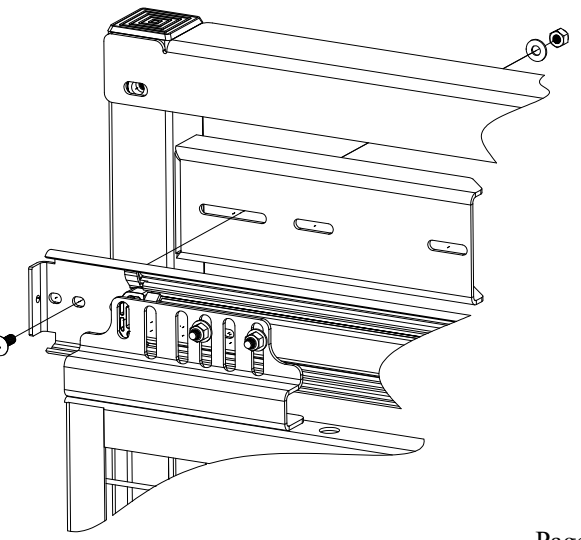
Extend slide approximately 3"

Install one set of fasteners and tighten.

DETAIL C

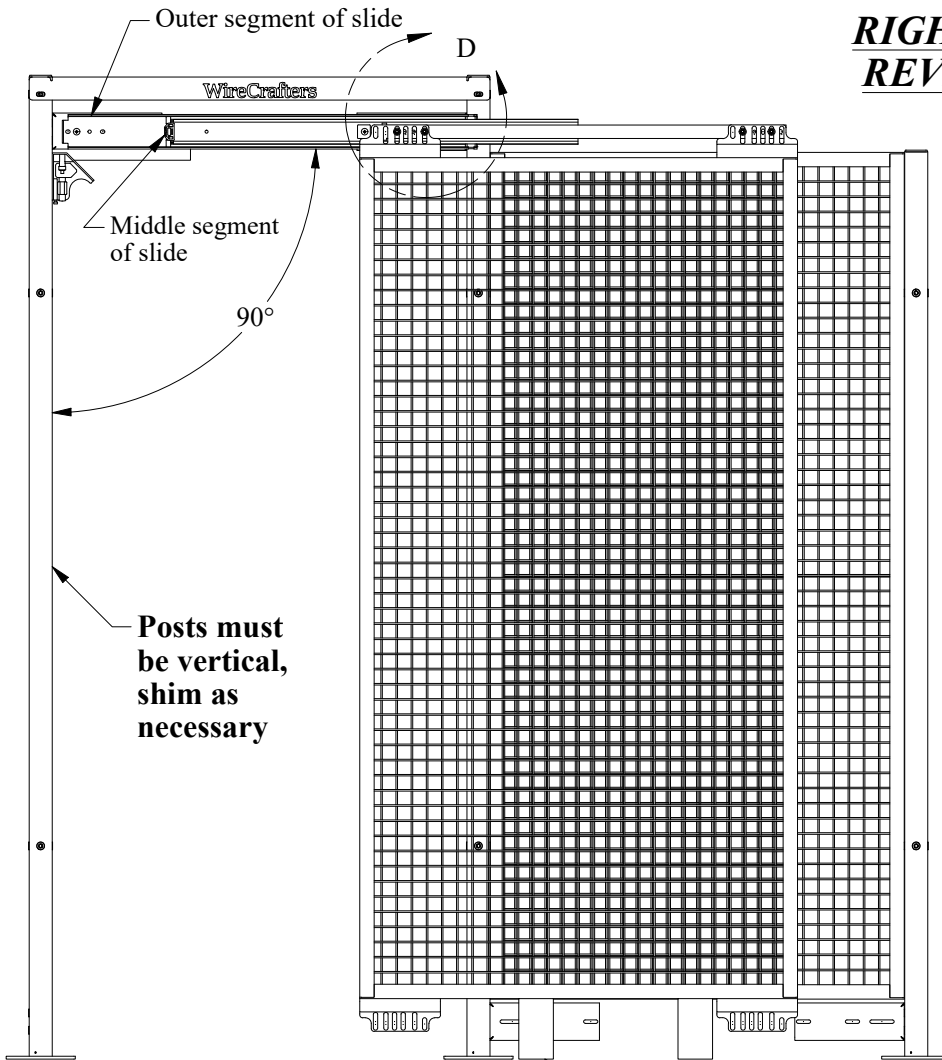
90°

- FS1434THP
- FS14FW
- SUD14LN



RapidGuard II: RapidSlide Door

Door Install Position #2

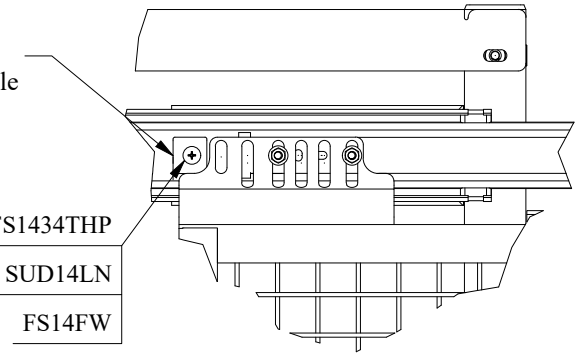


***RIGHT HAND OPEN SHOWN
REVERSE FOR LEFT HAND***

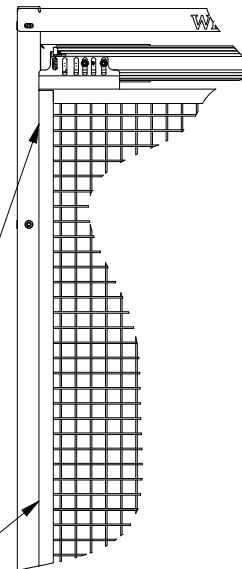
Align access hole in middle segment of slide, with the hole in the outer segment of slide and the slot in post bracket

Install one set of fasteners here and tighten.

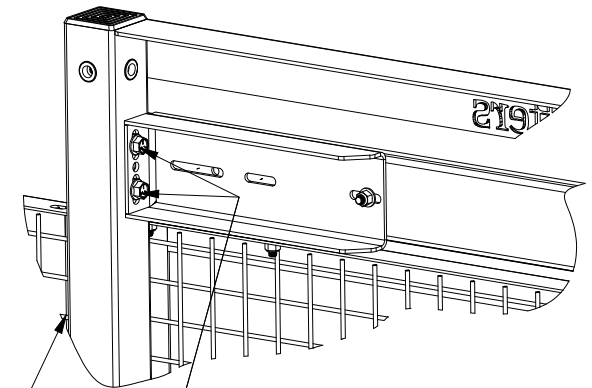
FS1434THP
SUD14LN
FS14FW



Remove the sweep spacers, and **gently** close the door all the way. (Note: at this point only 2 fasteners are holding the door)



Ensure the the door frame is parallel with the post. (Should be flush or 1/8" overlap) See view to the right for adjustment



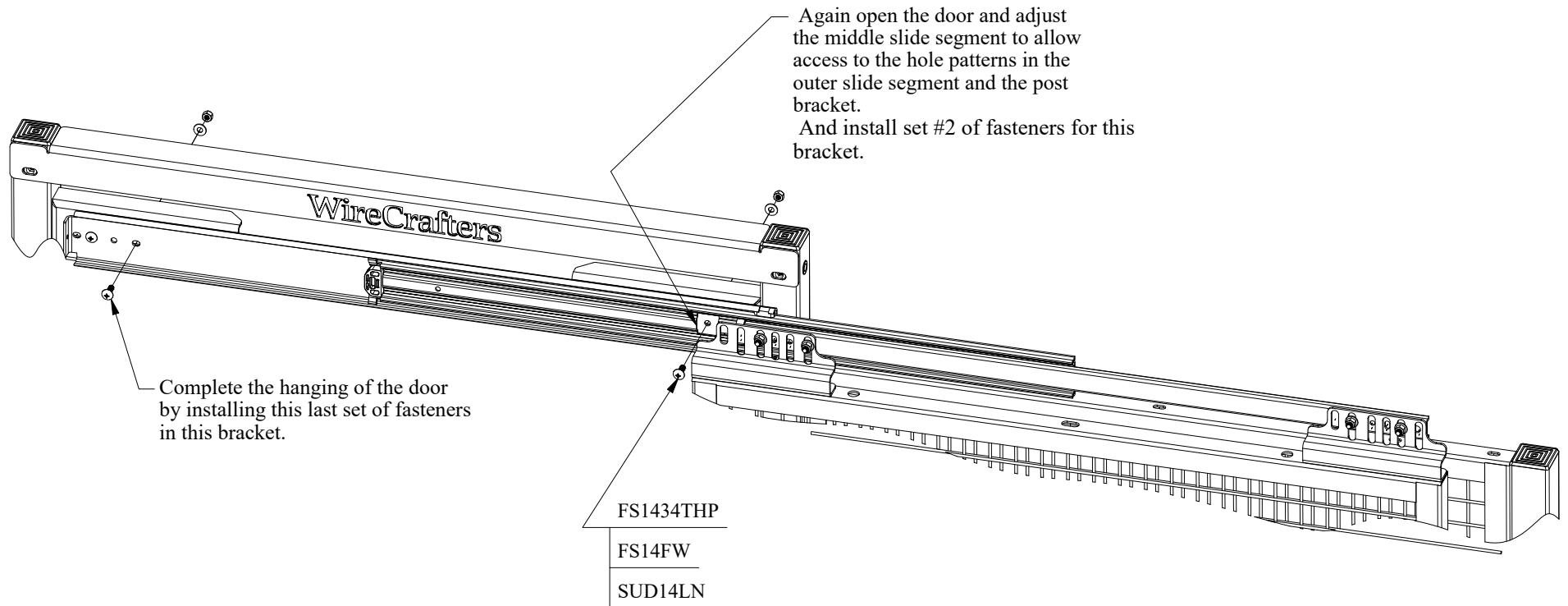
To adjust the door such that it is parallel to the post. Loosen these 2 bolts and move bracket up or down until the door is parallel with the post.

Carefully slide the door open, until the access hole in the middle segment of the slide allows access to the hole in the outer segment of the slide and the post bracket. See detail "D" above.

Reposition the sweep spacers as shown

Ensure the outer segment of the slide is still 90° square to the post. Temporarily secure door as necessary

RIGHT HAND OPEN SHOWN
REVERSE FOR LEFT HAND

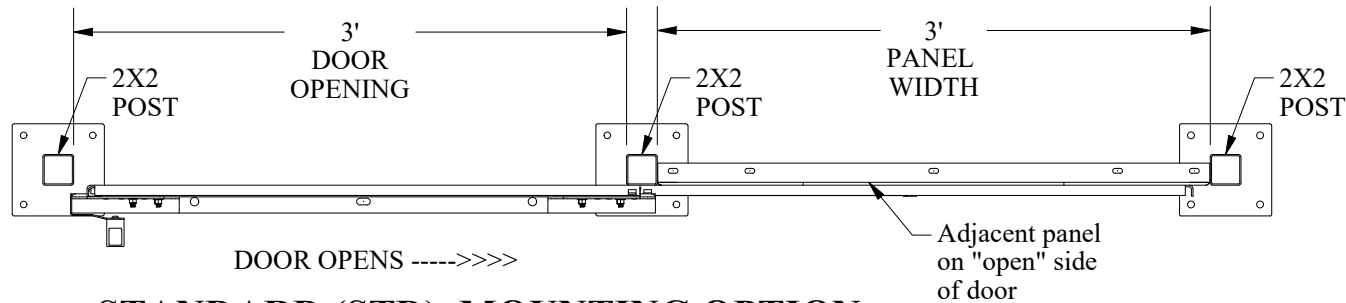


Determine which mounting assembly is required.

Note: Depending on panel widths and post locations, There can be a situation in which the slide will not extend far enough to be able to mount to the post bracket. In which case a bracket must be mounted some where on the panel. see below to determine which method to use.

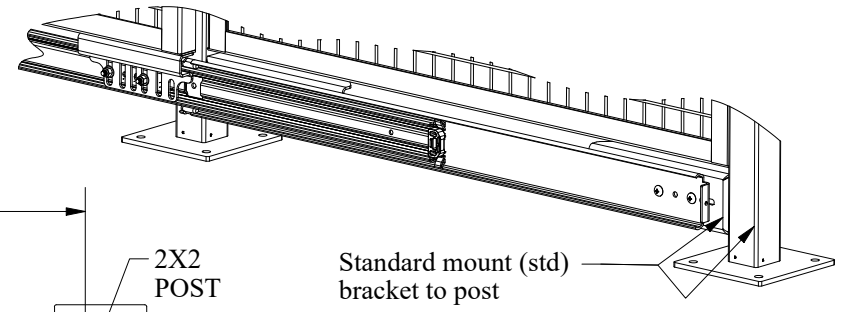
If the door opening is equal to the adjacent panel then proceed to **page 12** for assembly using the standard (std) mounting option.

Note: A 3' door open and 3' adjacent panel are shown.

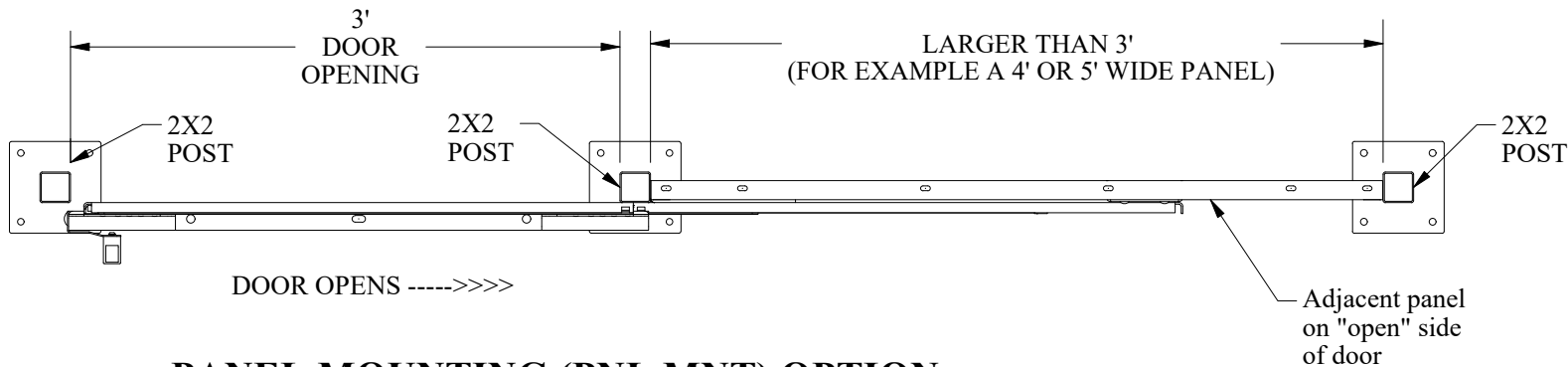


STANDARD (STD) MOUNTING OPTION

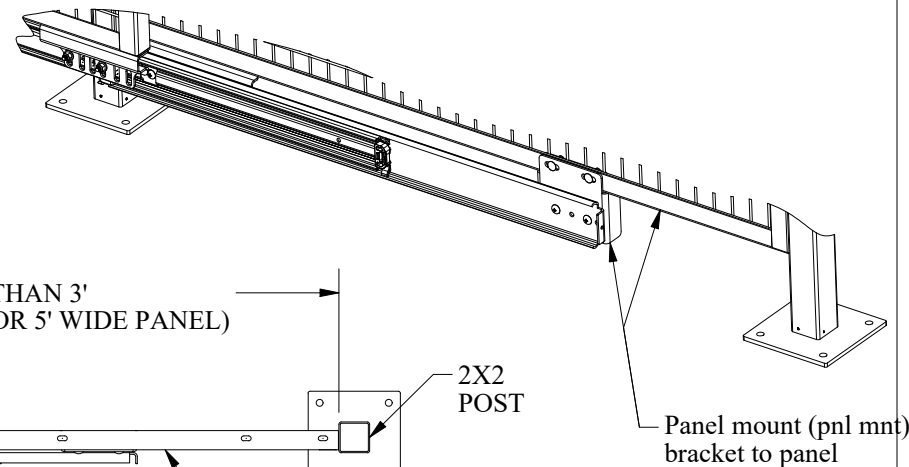
***RIGHT HAND OPEN SHOWN
REVERSE FOR LEFT HAND***



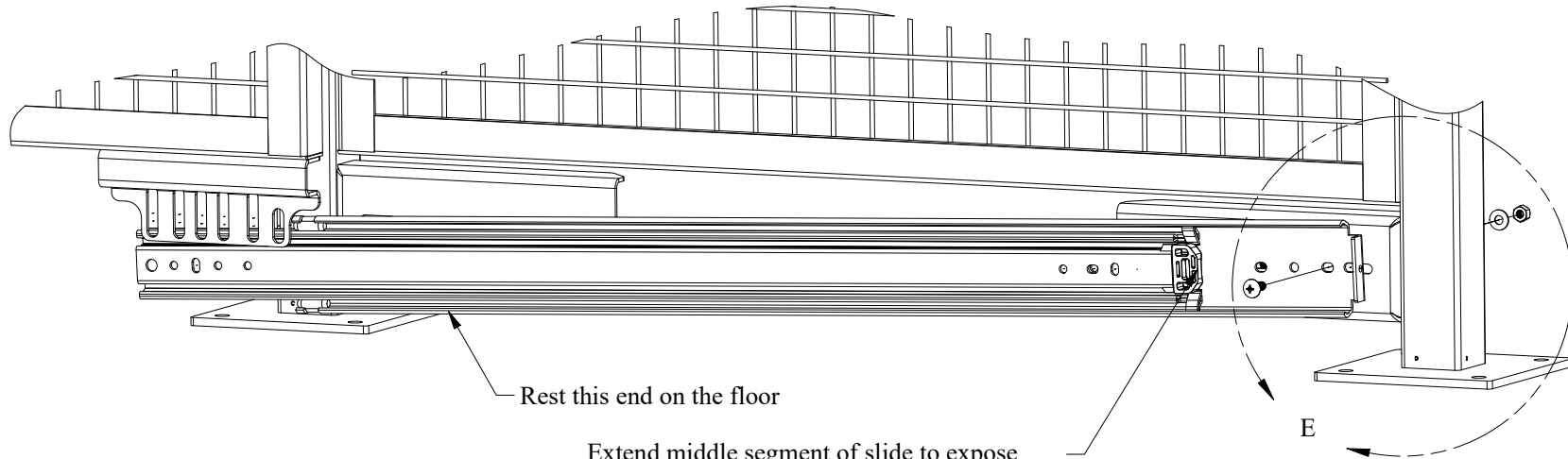
If the door opening is smaller than the adjacent panel then proceed to **page 14** for assembly using the panel mounting (pnl mnt) option.



PANEL MOUNTING (PNL MNT) OPTION

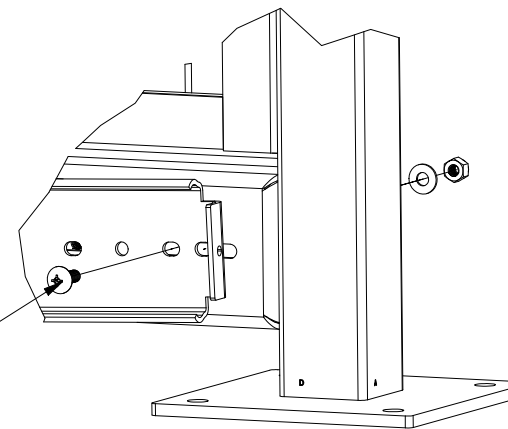


RIGHT HAND OPEN SHOWN
REVERSE FOR LEFT HAND



Rest this end on the floor

Extend middle segment of slide to expose the hole pattern in the outer segment of slide. And install fasteners through the hole shown, but do not tighten.



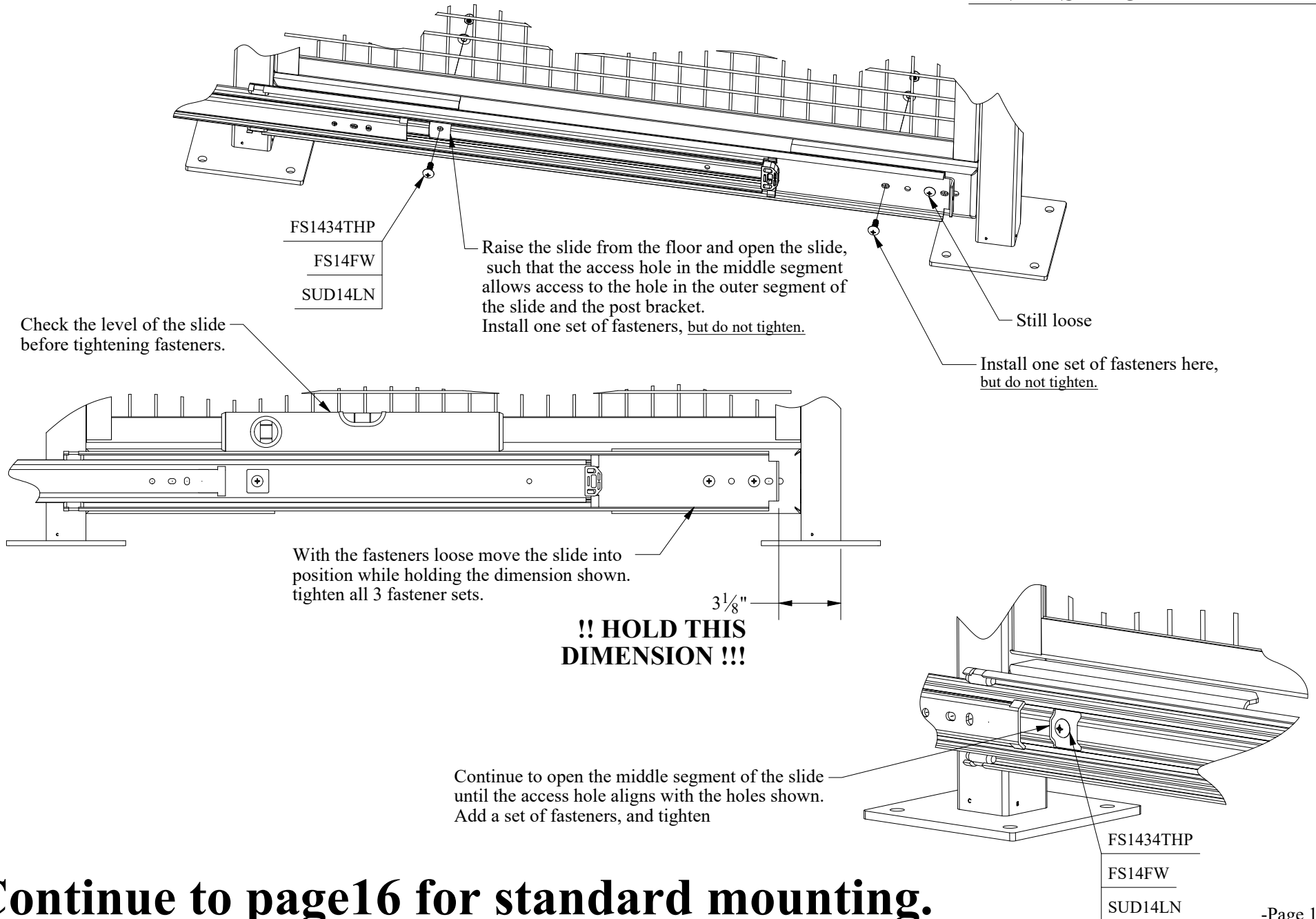
FS1434THP

FS14FW

SUD14LN

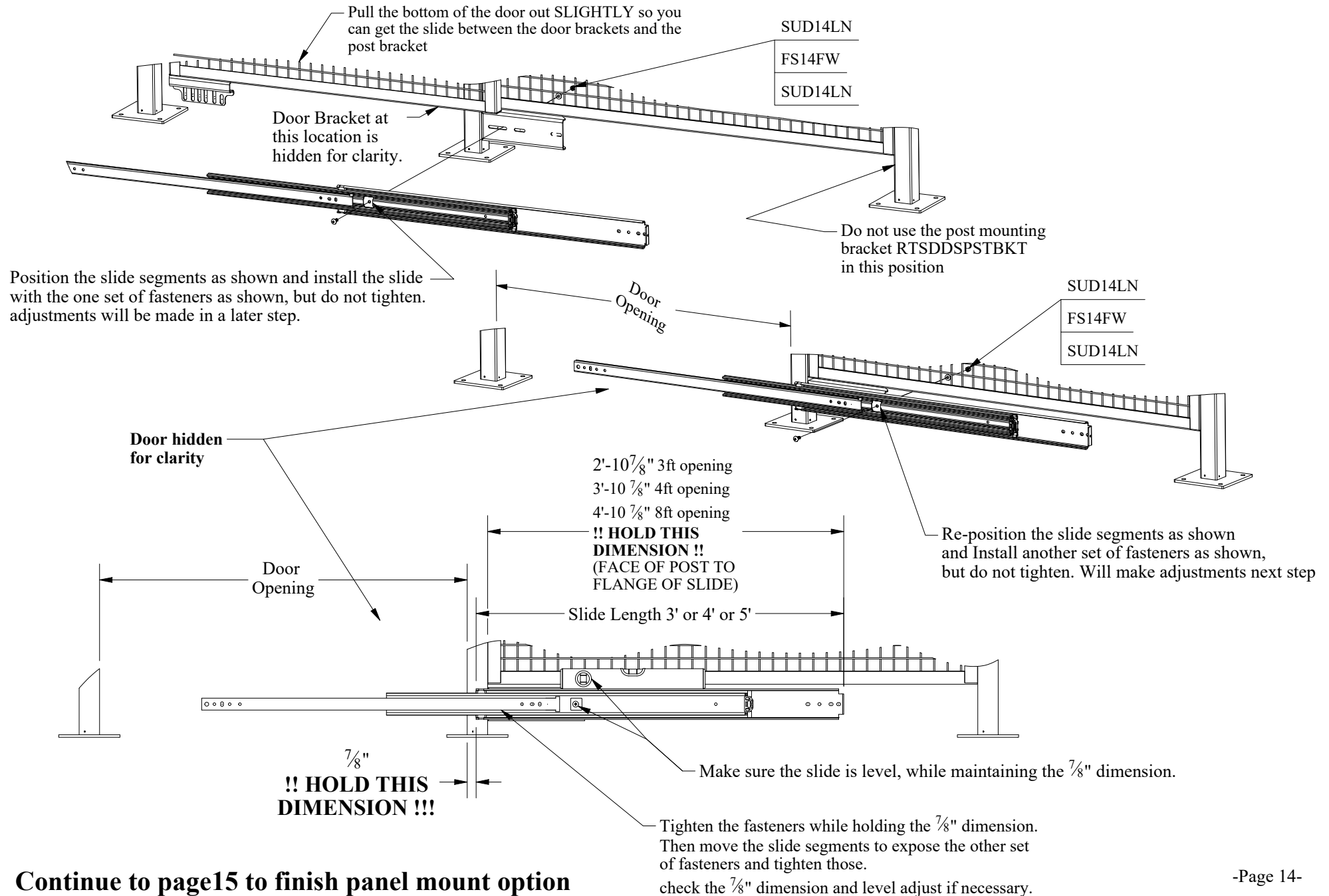
DETAIL E

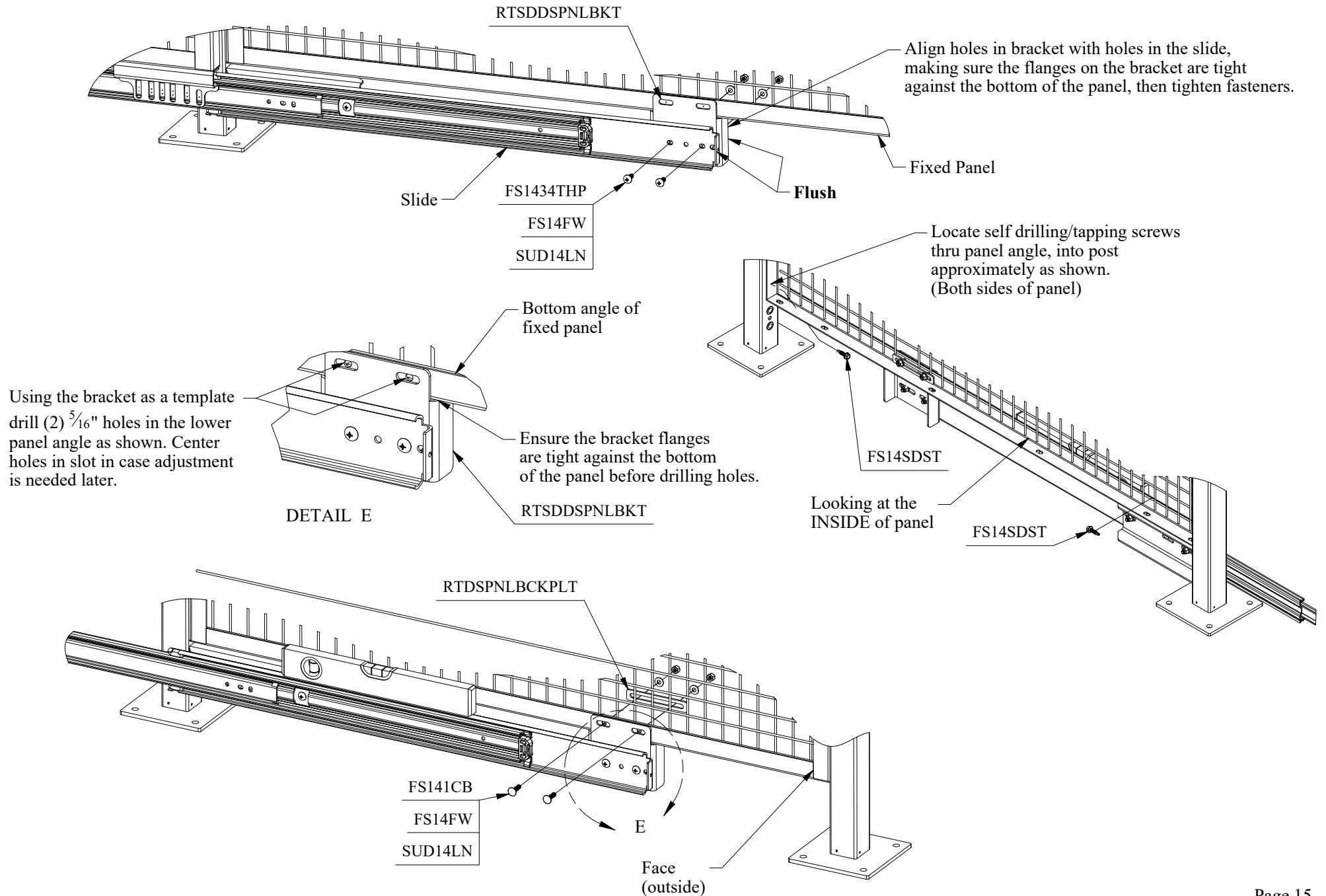
RIGHT HAND OPEN SHOWN
REVERSE FOR LEFT HAND



Continue to page 16 for standard mounting.

Continuing assembly for panel mount option from page 11



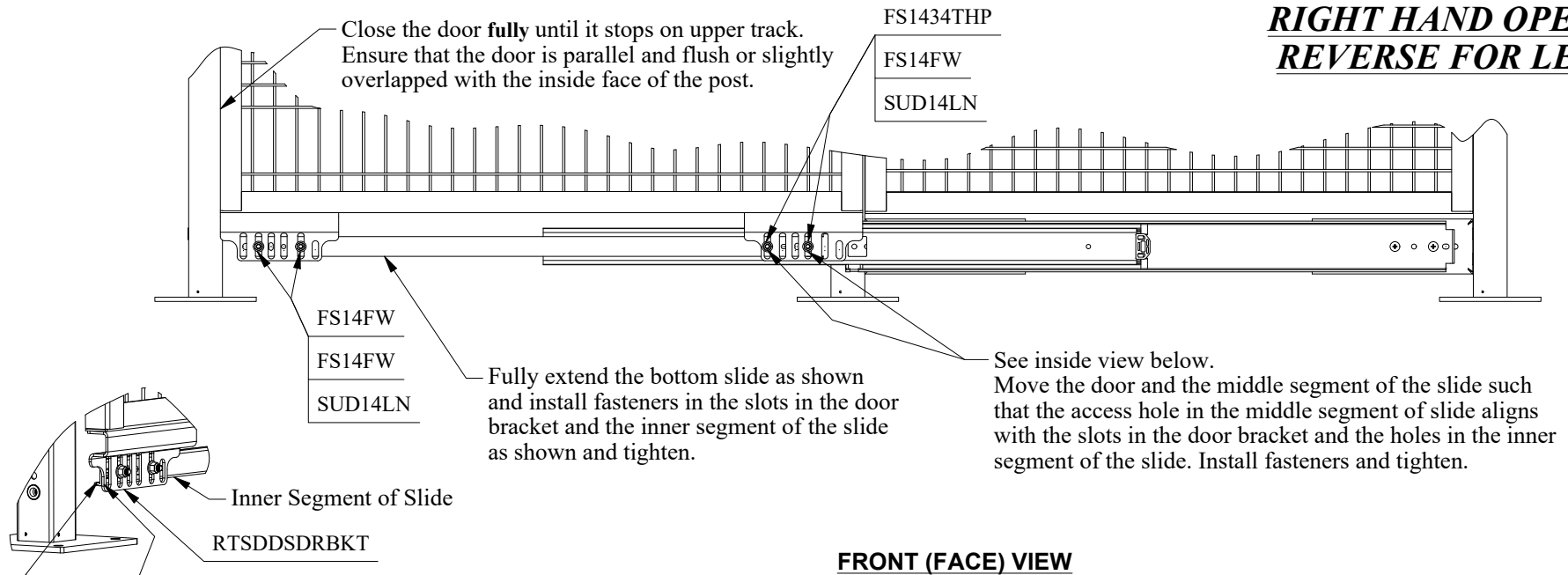


Continue to page16 to finish installation

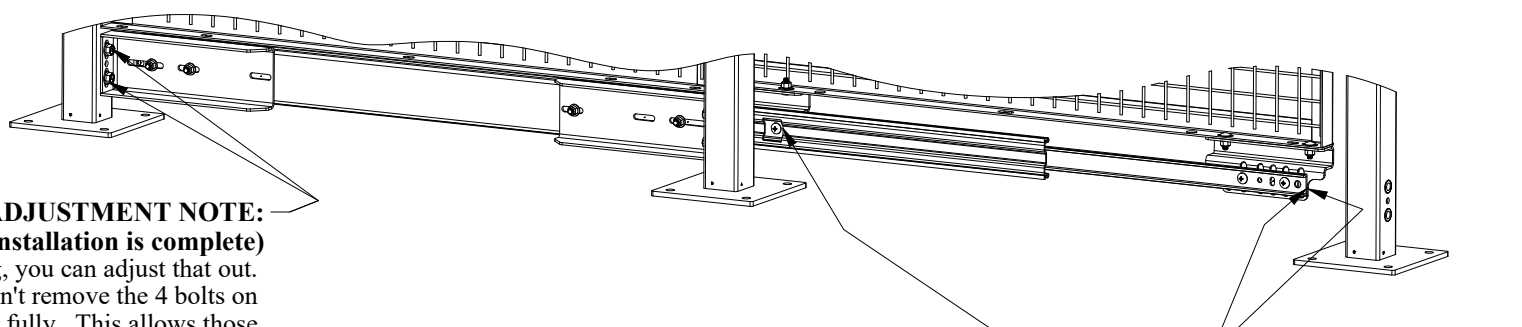
RapidGuard II: RapidSlide Door

Door To Lower Slide Install

RIGHT HAND OPEN SHOWN
REVERSE FOR LEFT HAND



NOTE: With the door fully closed: If the inner segment of the slide is not flush with the door bracket it will need to be adjusted such that it is. First loosen the outer segment of slide at the post brackets then move slide until it is fully extended. And the inner segment of slide is now flush with door bracket notch and the holes in the inner slide segment and door bracket slots align.



ADJUSTMENT NOTE:
(after installation is complete)
 If the door seems stiff when opening, you can adjust that out. While the door is closed, loosen but don't remove the 4 bolts on the 2 post brackets. Then open the door fully. This allows those brackets to "float" into position. With the door still open tighten the bolts when satisfied.

Move the door and the middle segment of the slide such that the access hole in the middle segment of slide aligns with the slots in the door bracket and the holes in the inner segment of the slide. Install fasteners and tighten.

End of inner segment of slide and notch of door bracket must be flush.

BACK (INSIDE) VIEW

Thanks for using

WireCrafters

Machine Guarding

For more information on WireCrafters products please visit our website at www.machineguarding.com