

RapidGuard II RapidSlide Bi-Parting Door Installation Instructions

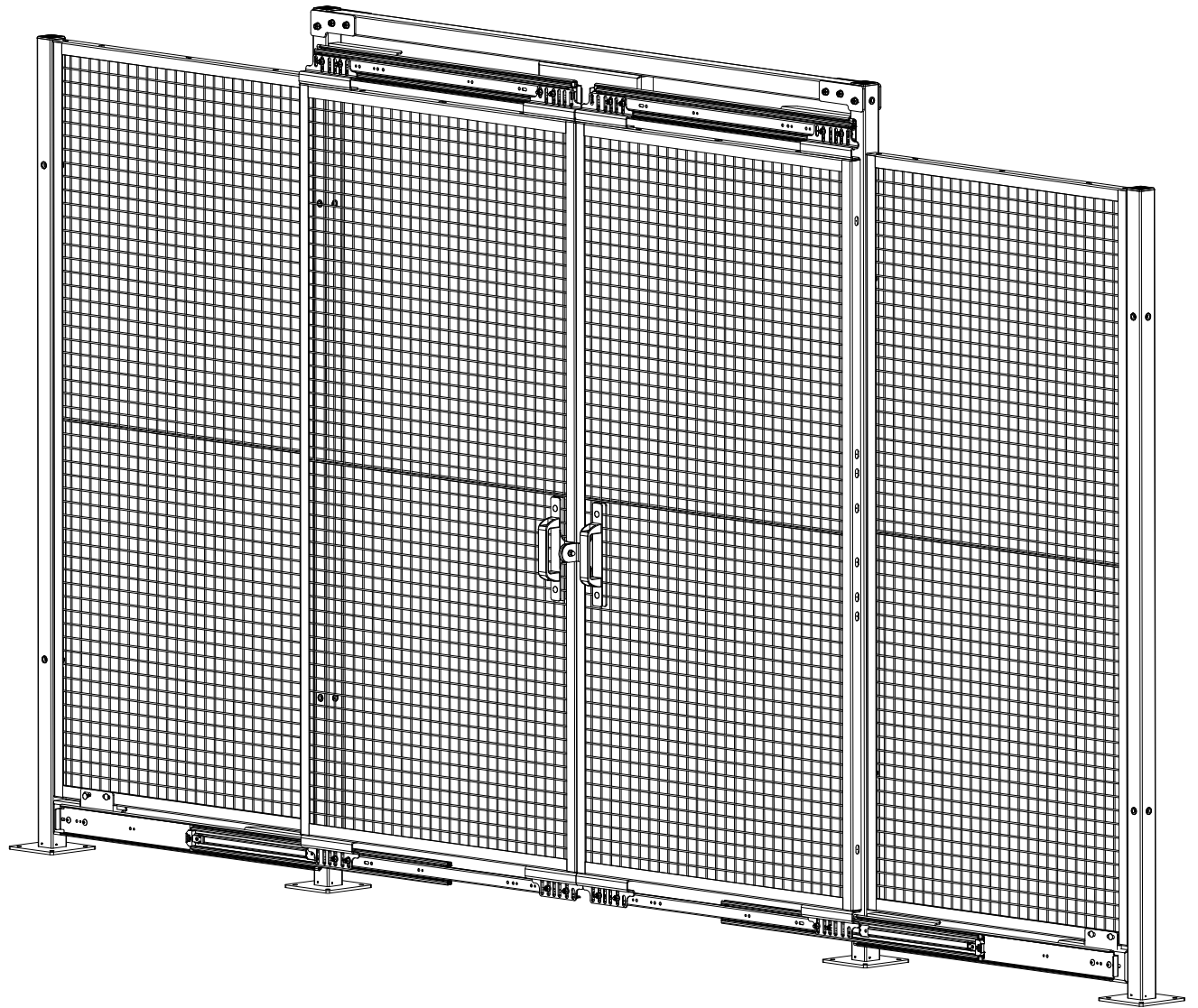


Table of Contents

Description	Page
Introduction	2
Hardware Pack	3
LH & RH Door Sub-Assembly	4
Upper Slide Install	5
Upper Slide Install #2	6
Post Bracket & Header Install	7
Door Install Position #1	8
Door Install Position #2	9
Door Adjustment	10
Door Install Position #3	11
Stop And Determine Your Installation	12
Lower Slide Install Std	13
Lower Slide Install Position #2	14
Lower Slide Install Pnl Mnt Option	15
Lower Slide Install Pnl Mnt Finish	16
Door To Lower Slide Install	17
Handle Install	18

We're Here To Help
1-800-626-1816

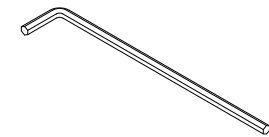
RapidGuard II Slide Door

Introduction

- Before beginning:

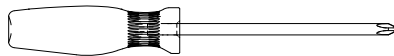
Read the entire installation instruction before starting work.

- This manual covers installation instructions for the RapidGuard II slide door with drawer slides. (www.https://www.wirecrafters.com/resources/installation/)
- Refer to RapidGuard II installation instructions for direction on installing posts and panels. (www.https://www.wirecrafters.com/resources/installation/)
- These instructions show a right hand open - door setup, the left hand open - door setup is the same except symmetrically opposite.
- Whatever your door opening (72", 96", 120" for example) that distance between door posts, **MUST NOT** be over that dimension, it can be less than by an 1/4" or more. Otherwise the door will not fully close and leave a gap.

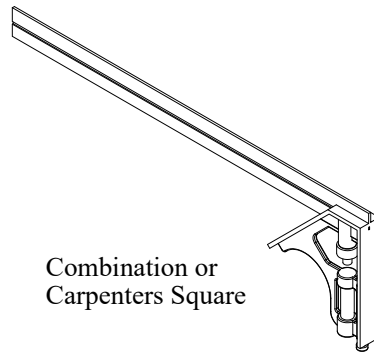


5/32 Hex Key or Bit

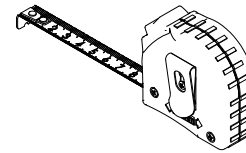
Recommended Tools



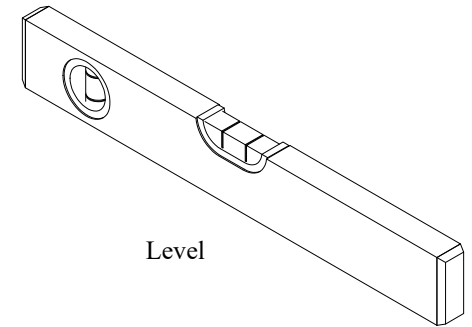
PH#3 (large phillips)
PH-3 #3 Phillips Screw Driver
Or Bit



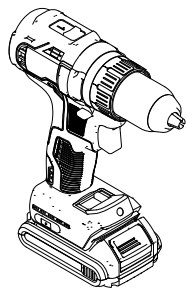
Combination or
Carpenters Square



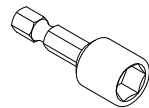
Tape Measure



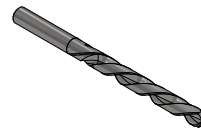
Level



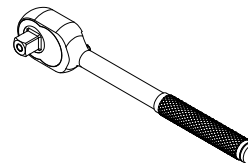
Drill / Driver



3/8 Nut Driver



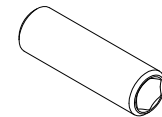
5/16 DRILL BIT
(Panel mount option only)



Ratchet



10mm Socket



9/16 Deep Socket



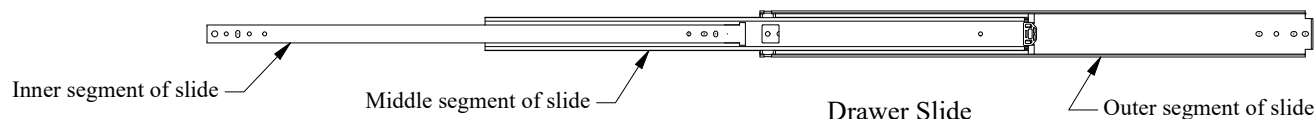
7/16 Socket



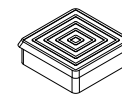
1/2 Socket

RapidGuard II Slide Door

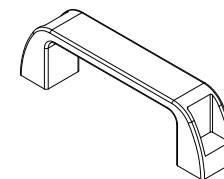
Hardware Pack



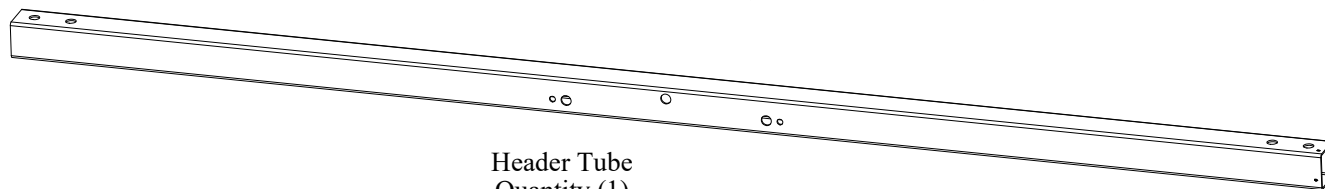
Drawer Slide
Quantity (2) Pair
Part# SDDS3 (3') or SDDS4 (4') or SDDS5 (5')
3' Slide = 6' extended, 4' slide = 8' extended, 5' Slide = 10' extended



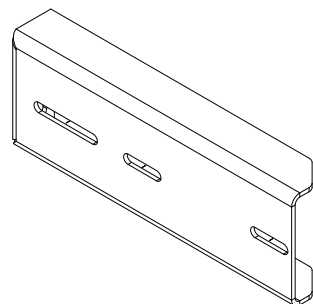
Post Cap
Quantity (3)
Part # PCAPPLST



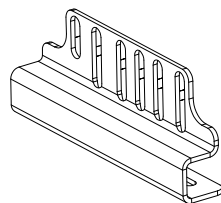
Door Handle
Quantity (2)
Part# RGHANDLE



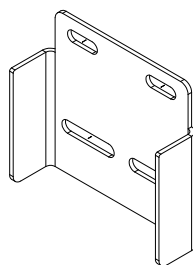
Header Tube
Quantity (1)
Part # RTHTBIPD6 (6ft), or RTHTBIPD8 (8ft), or RTHTBIPD10 (10ft),



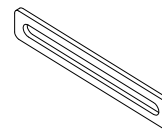
Post Mounting Bracket
Quantity (6)
Part# RTSDDSPSTBKT



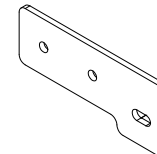
Door Mounting Bracket
Quantity (8)
Part# RTSDDSDRBKT



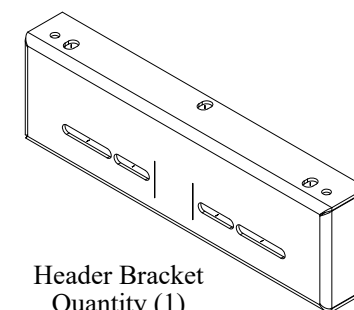
Panel Mounting Bracket
Quantity (2)
Part # RTSDDSPNLBKT
(Use only with the panel mount option)



Mesh Flat Washer
Quantity (2)
Part# RTDSPNLBCKPLT



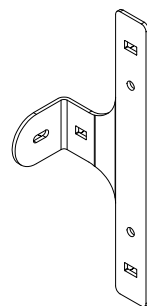
Header Tube Bracket
Quantity (4)
Part# RTHTBKT



Header Bracket
Quantity (1)
Part# RTBIPDHTBKT

RTSDDSBIPDFSPK - RapidSlide Hardware Pack
Includes These Fasteners

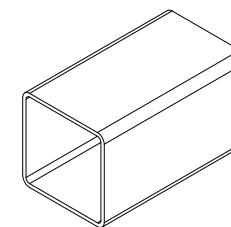
- (4) FS1412BHSCS 1/4" X 1/2" Button Cap Screw
- (4) FS14SDST - 1/4" X 1" Self-Drilling Screw
- (16) FS38STA - 3/8" X 3" Stud Anchor
- (56) SUD14LN - 1/4" Lock Nut
- (56) FS14FW - 1/4" Washer
- (16) FS1434CB - 1/4" X 3/4" Carriage Bolt
- (8) FS141CB - 1/4" X 1" Carriage Bolt
- (36) FS51634FB - 5/16" X 3/4" Flange Bolt
- (1) HDPBMAG - Door Magnet
- (1) HDPBMAGANUT - M6 Acorn nut
- (32) FS1434THP - 1/4" X 3/4" Truss #3PH Screw
- (1) HDPBMAGWSHR - Magnet Washer



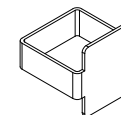
Handle Bracket
Quantity (2)
Part# RTBIPDHNDBKT



Handle Plate
Quantity (2)
Part# RTHNDLPLTMM



Door Sweep Space Gauge
Quantity (4)
Part# SWPSPACRC514



3/4" Slide Setting Gauge
Quantity (2)
Part# RTSDDSSPACR34

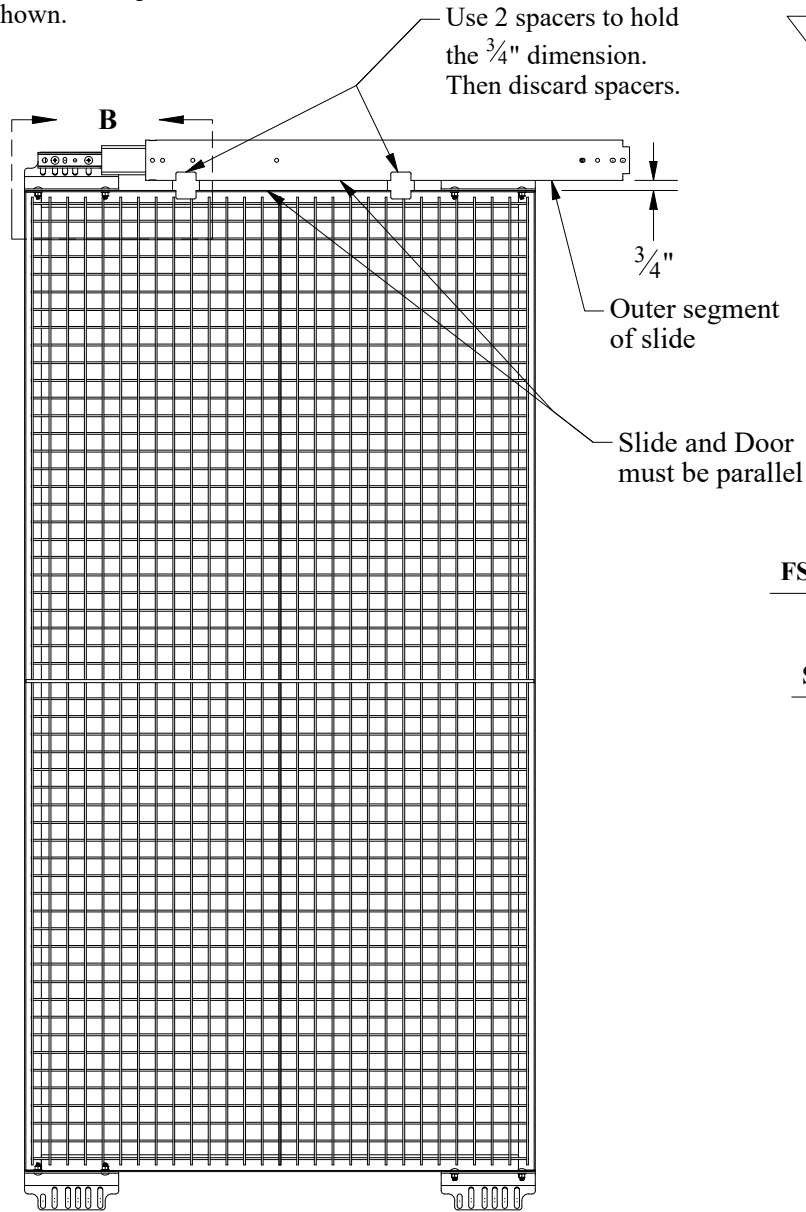
These 2 spacers are to be used during installation and can be discarded after.

RapidGuard II Slide Door

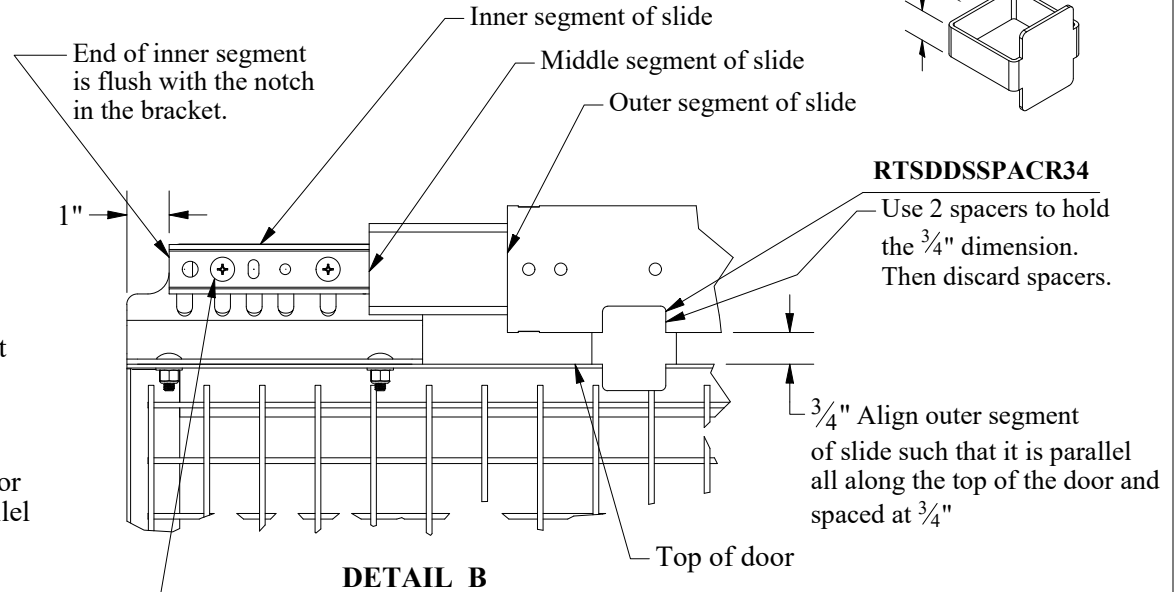
Upper Slide Install

With the door laying face down (inside of door up). Lay the upper slide on the 2 brackets as shown, and open the slide about 6" to expose the hole pattern in the slide as shown.

***RIGHT DOOR SHOWN
OPPOSITE FOR LEFT DOOR***



BACK (INSIDE) VIEW



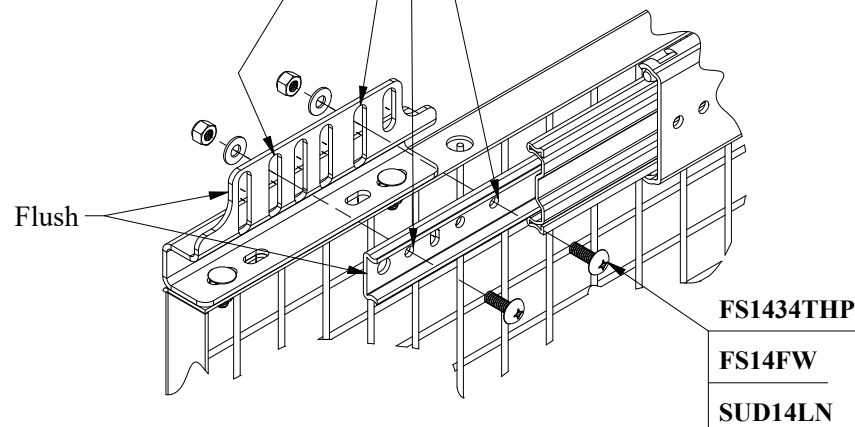
FS1434THP

FS14FW

SUD14LN

IMPORTANT !!!:

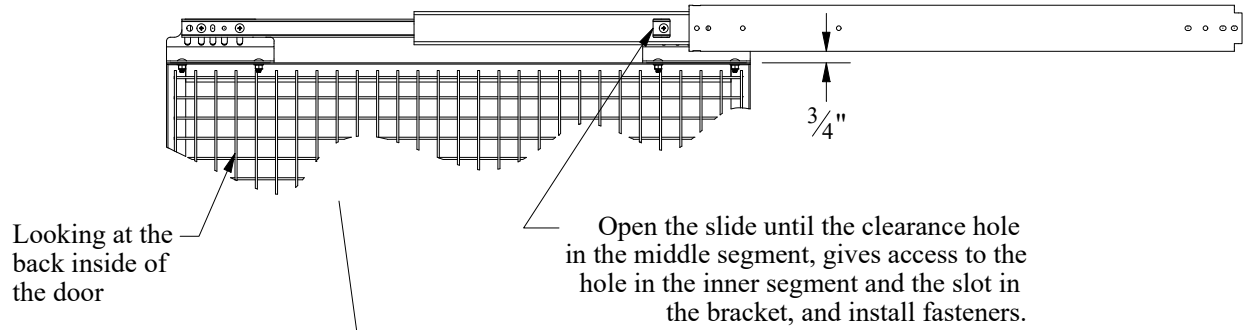
Insert fasteners through the holes in the slide and the slots in the bracket as shown and tighten, ensuring the 3/4" dimension is held all along the top of the door and the outer segment of the slide.



RapidGuard II Slide Door

Upper Slide Install #2

***RIGHT DOOR SHOWN
OPPOSITE FOR LEFT DOOR***



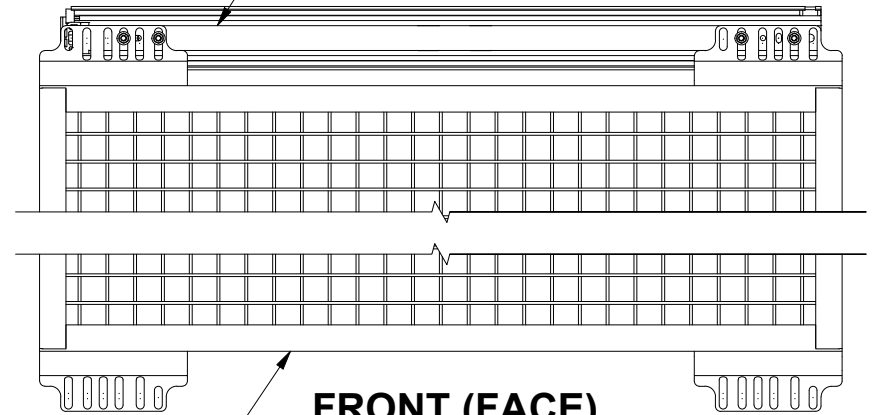
Looking at the back inside of the door

Open the slide until the clearance hole in the middle segment, gives access to the hole in the inner segment and the slot in the bracket, and install fasteners.

BACK (INSIDE) VIEW

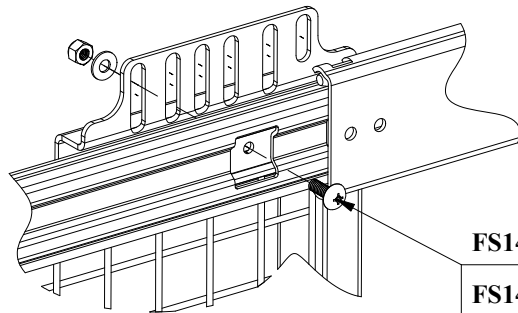
NOTE:

Temporarily tape or otherwise secure the slide from moving while moving the door into position in the next page of instruction.



FRONT (FACE) VIEW

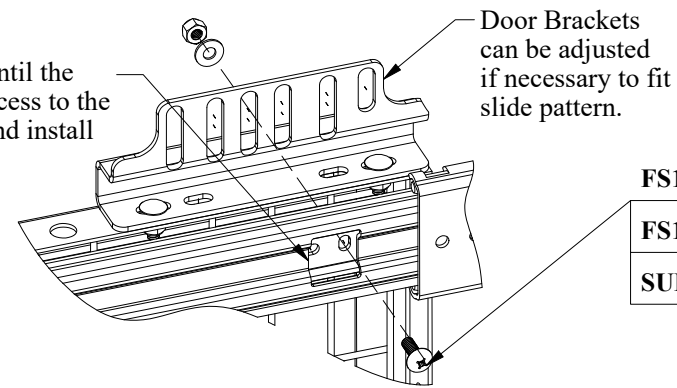
Door looking outside front face



FS1434THP
FS14FW
SUD14LN

BACK (INSIDE) VIEW

Again move the slide until the clearance hole gives access to the 2nd set of holes/slots and install fasteners

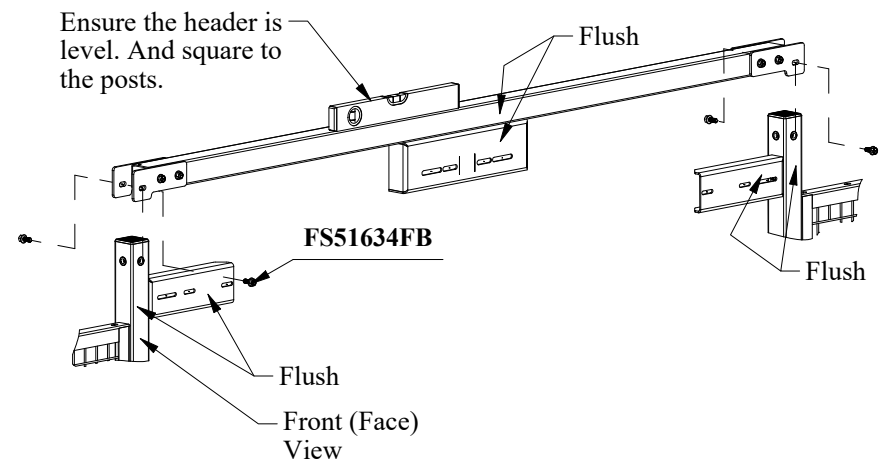
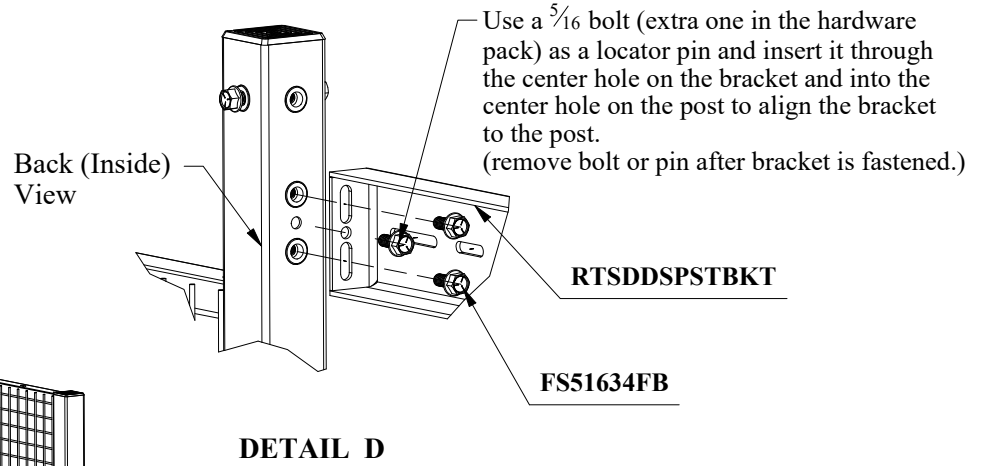
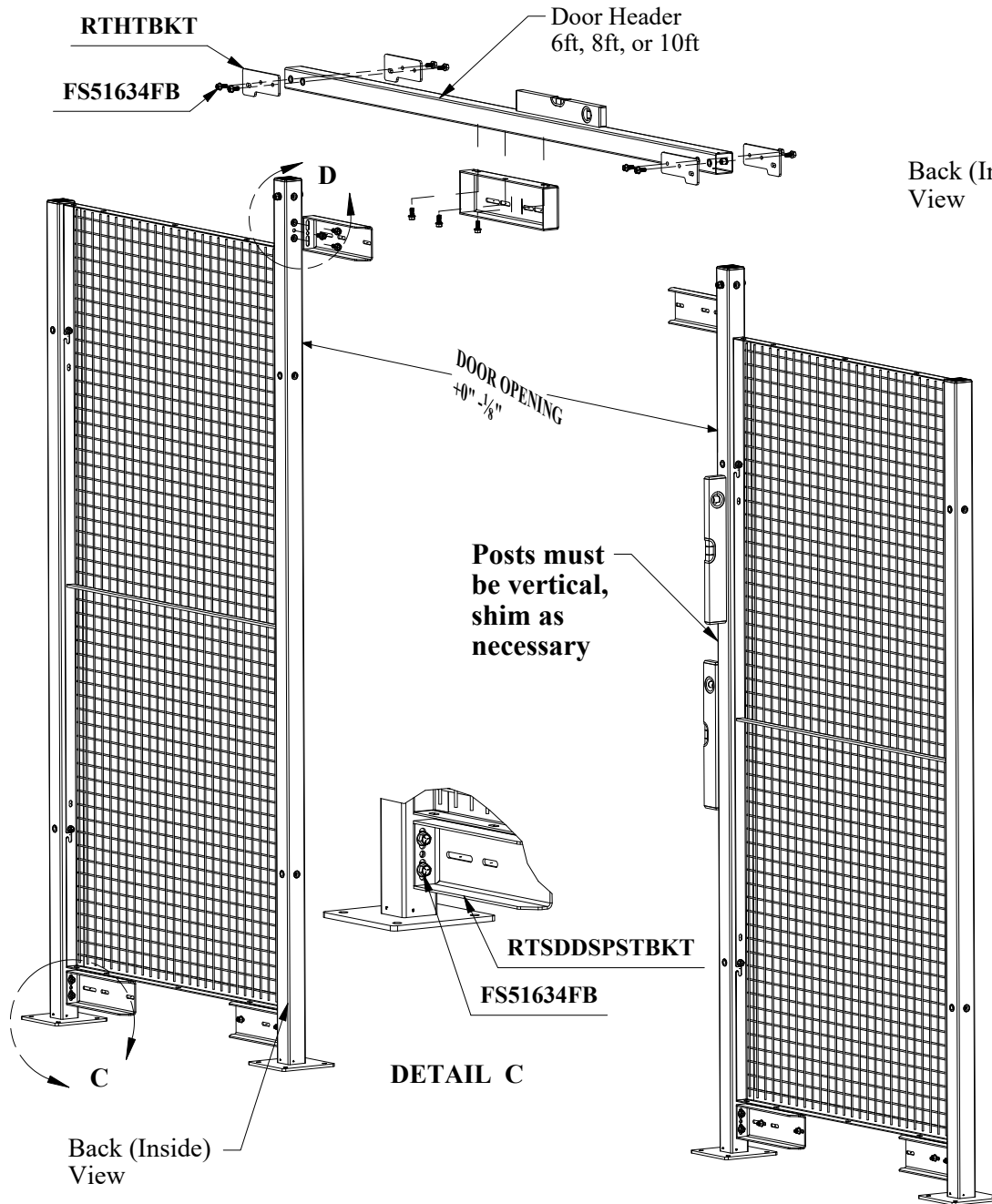


FS1434THP
FS14FW
SUD14LN

BACK (INSIDE) VIEW

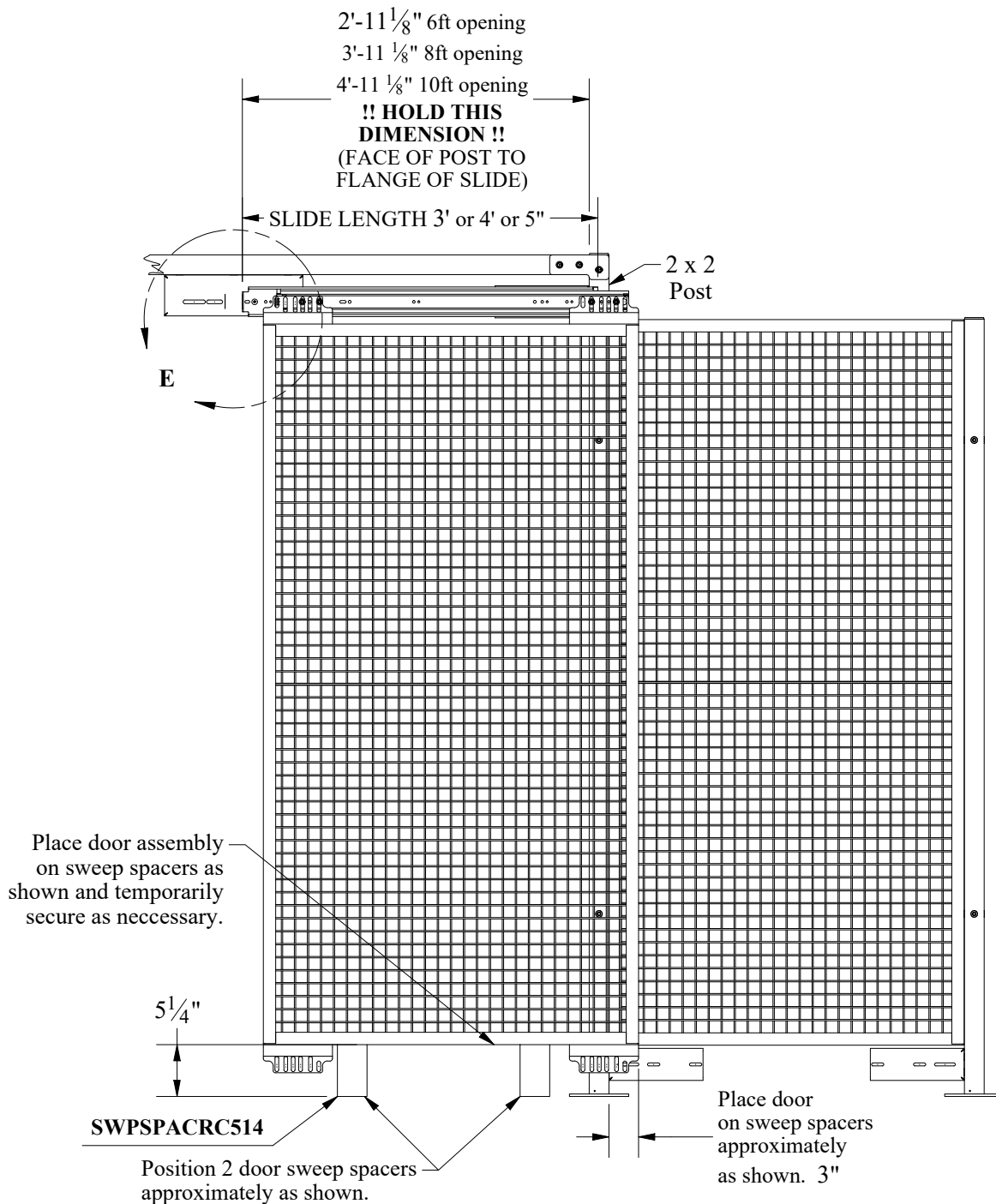
RapidGuard II Slide Door

Post Bracket & Header Install

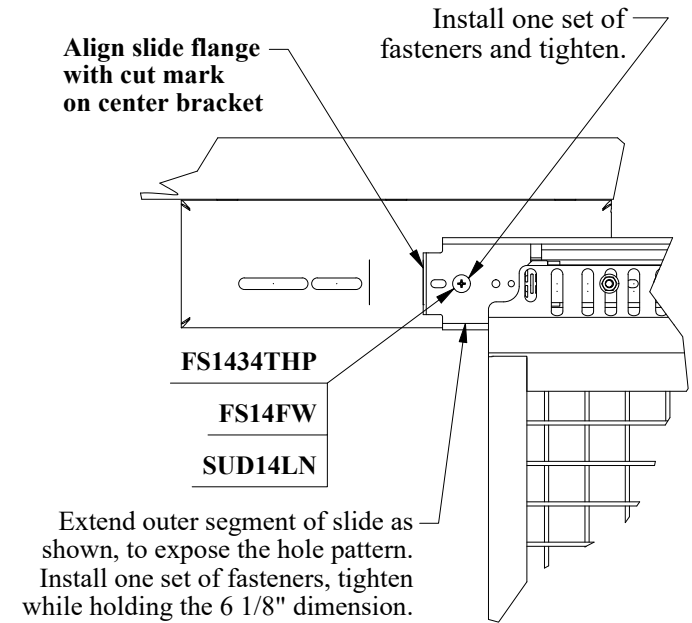


RapidGuard II Slide Door

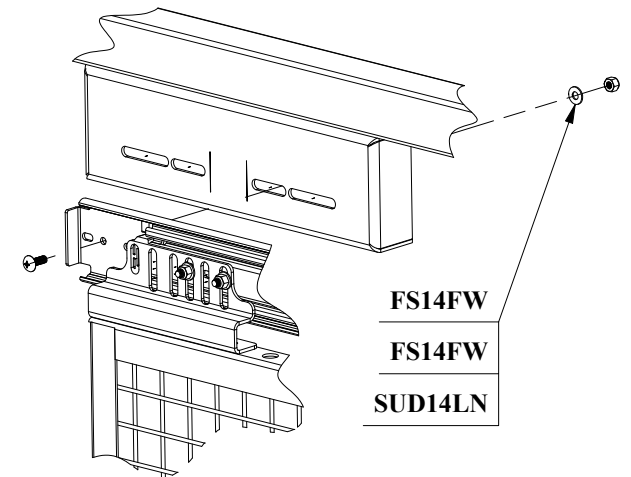
Door Install Position #1



RIGHT DOOR SHOWN OPPOSITE FOR LEFT DOOR



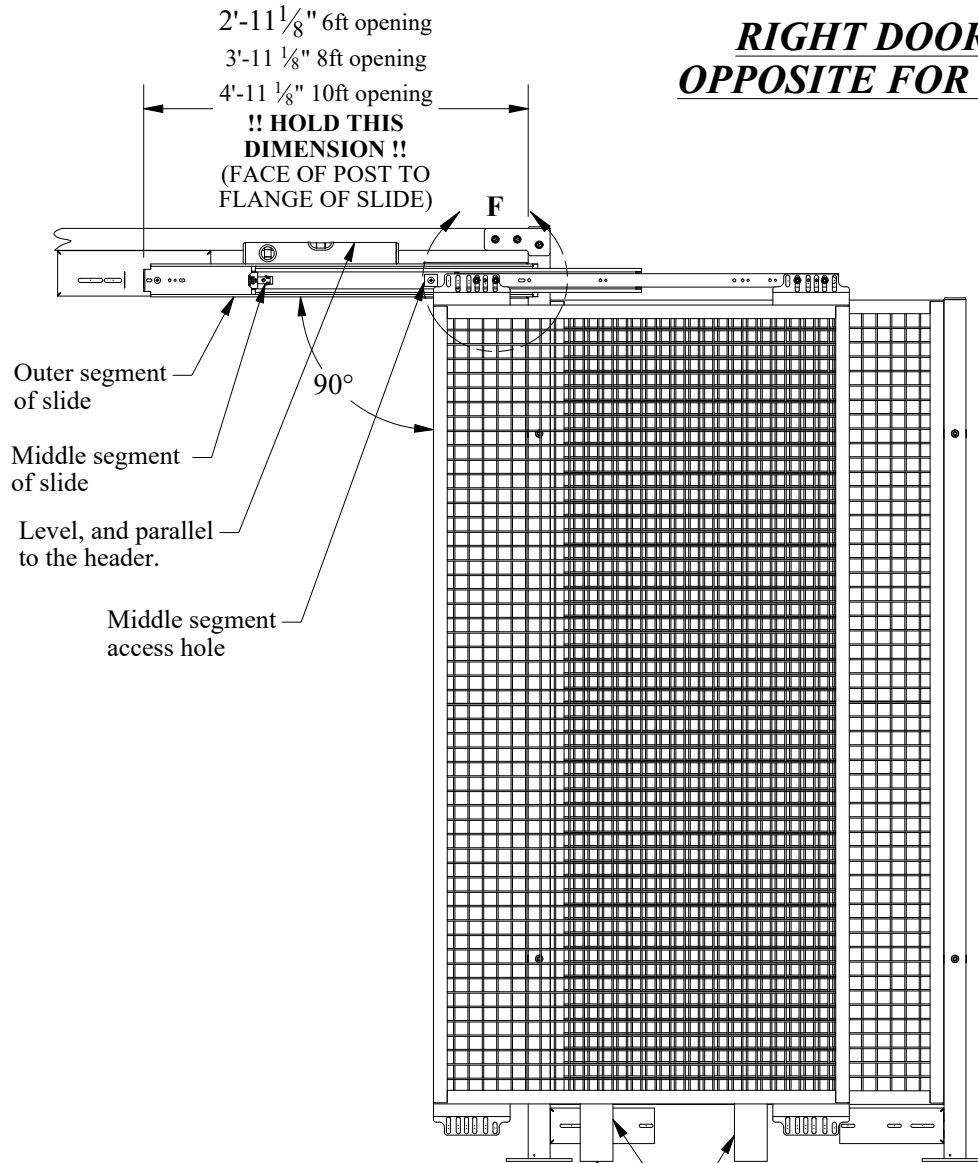
DETAIL E



RapidGuard II Slide Door

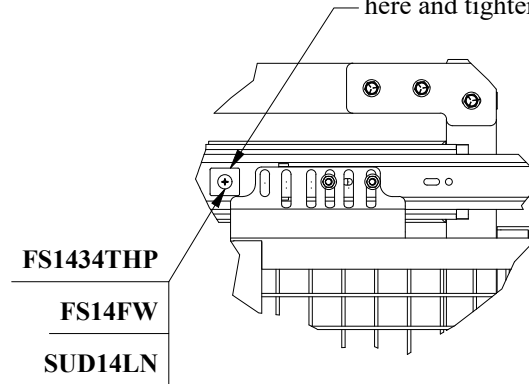
Door Install Position #2

***RIGHT DOOR SHOWN
OPPOSITE FOR LEFT HAND***



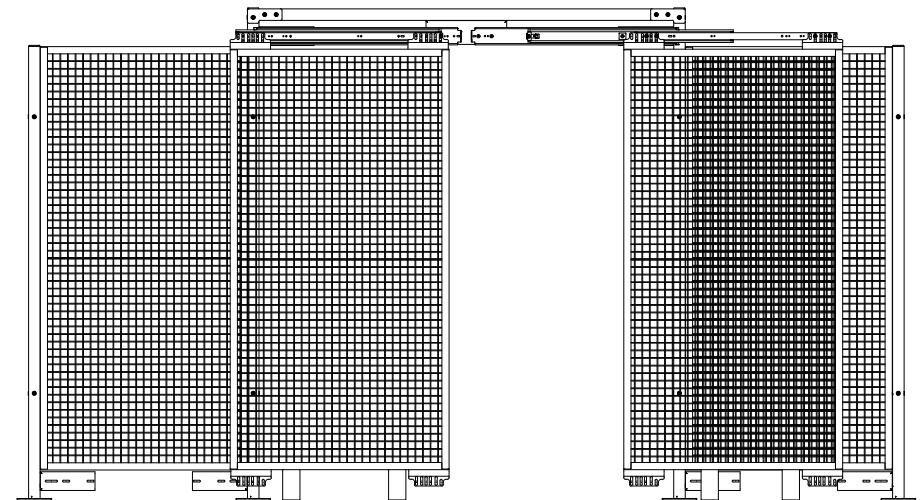
Align access hole in middle segment of slide, with the hole in the outer segment of slide and the slot in post bracket

Install one set of fasteners here and tighten.



DETAIL F

Install the left door.
Then remove the sweep spacers, and **gently** close both doors all the way together.
(Note: at this point only 2 fasteners are holding each door)
Go to next page and follow instructions for adjustment.

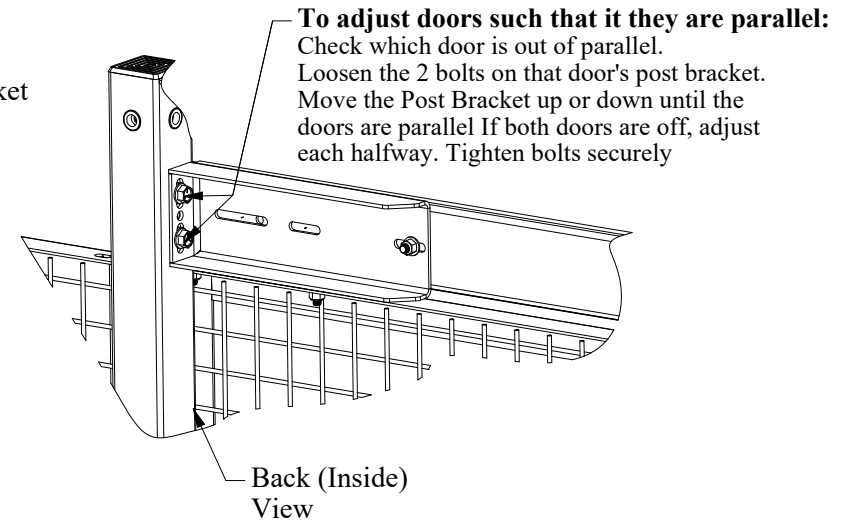
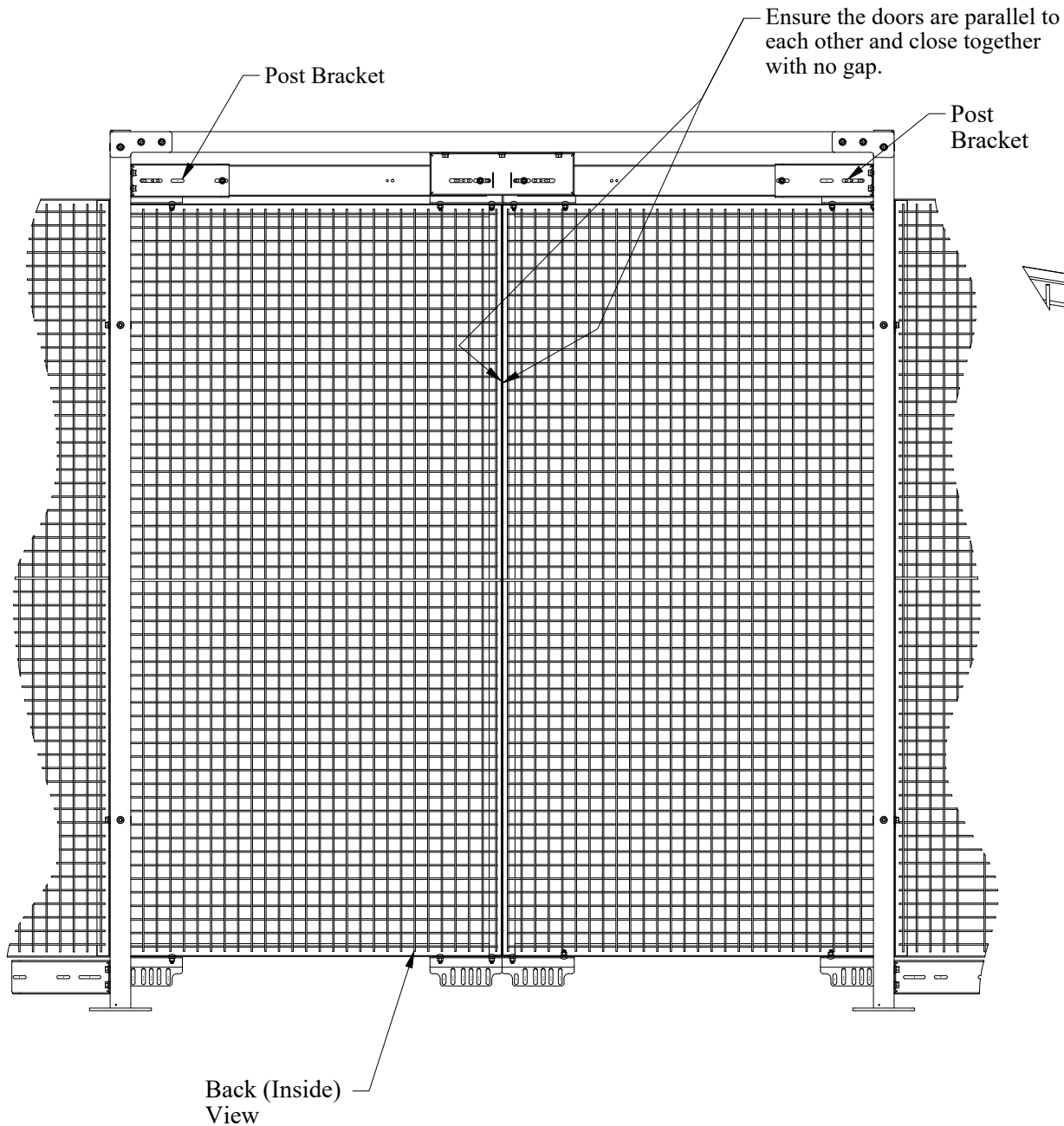


- Carefully slide the door open, until the access hole in the middle segment of the slide allows access to the hole in the outer segment of the slide and the post bracket. See detail above.
- Reposition the sweep spacers as shown
- Ensure the outer segment of the slide is still 90° square. Temporarily secure door as necessary

SWPSPACRC514

RapidGuard II Slide Door

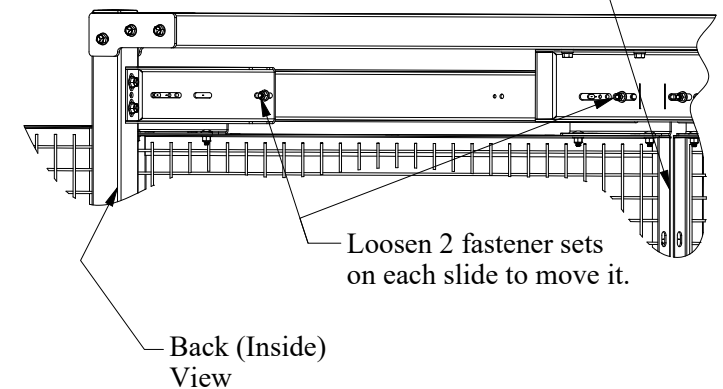
Door Adjustment

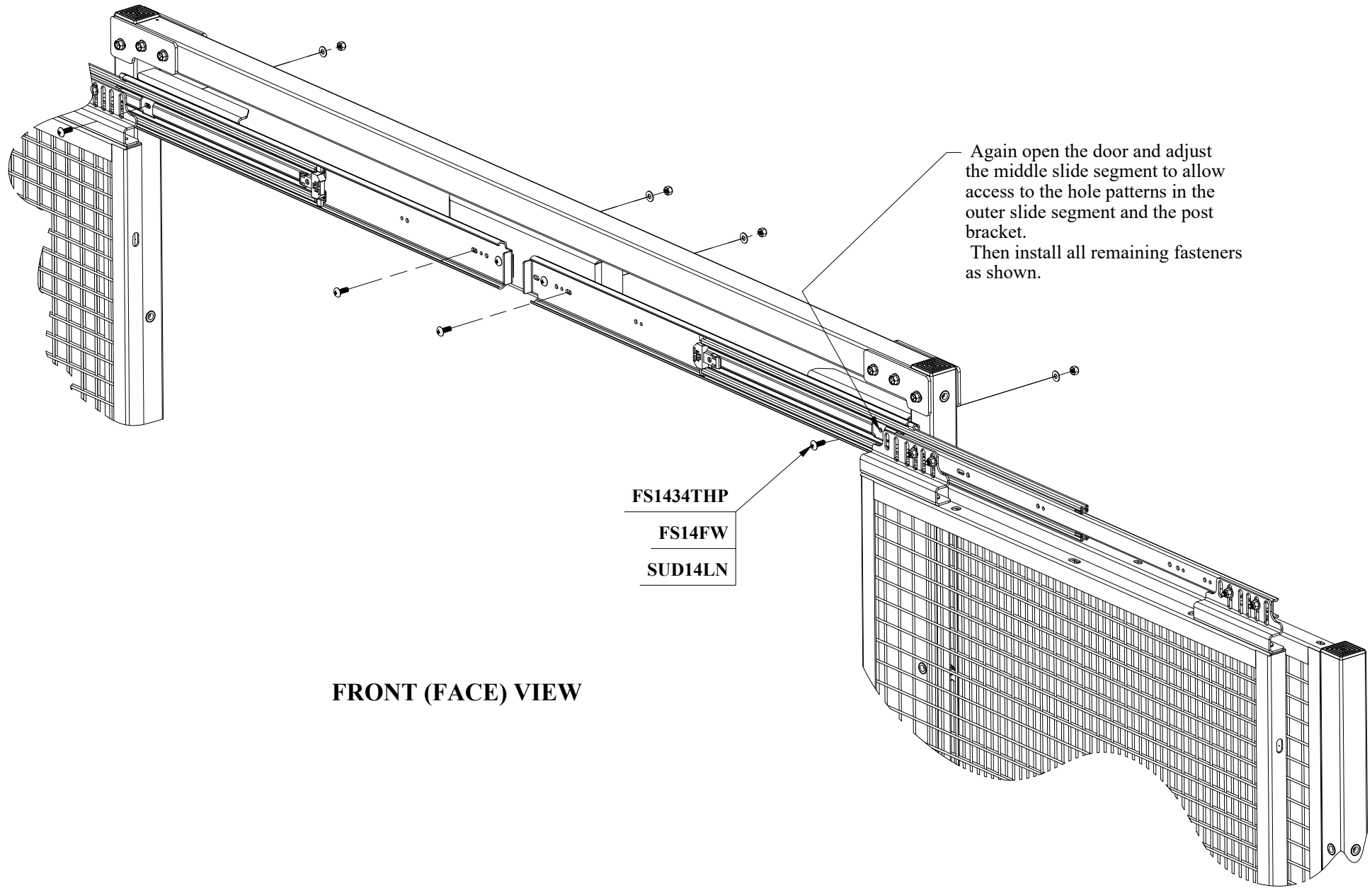


Check for gap:
After doors are parallel, check for gap. If a gap needs to be closed then loosen the slide fasteners and shift the slide until gap is closed.

If both doors require adjustment, move each slide halfway to close the gap

Tighten fasteners securely.





FRONT (FACE) VIEW

RapidGuard II Slide Door

Stop And Determine Your Installation

Determine which lower slide mounting assembly is required.

Note: Depending on panel widths and post locations, There can be a situation in which the slide will not extend far enough to be able to mount to the post bracket.

In which case a bracket must be mounted some where on the panel.

See below to determine which method to use.

-Measure the width of the door opening and the width of adjacent panel.

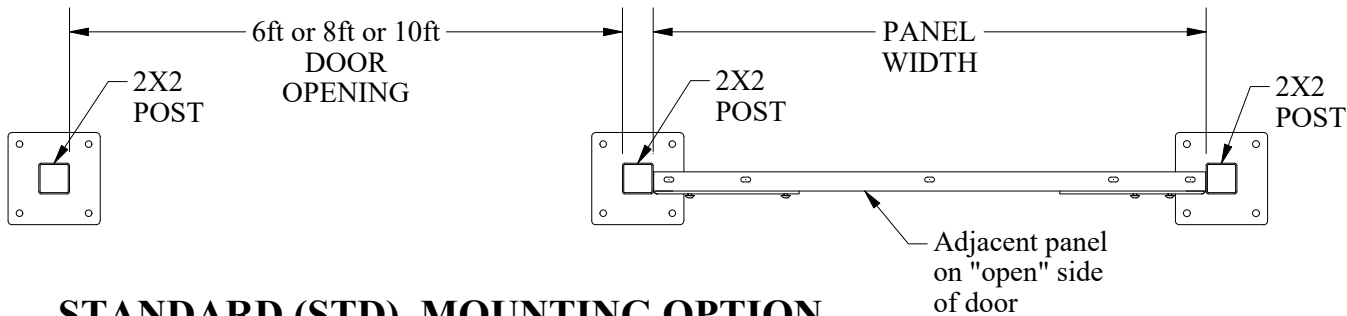
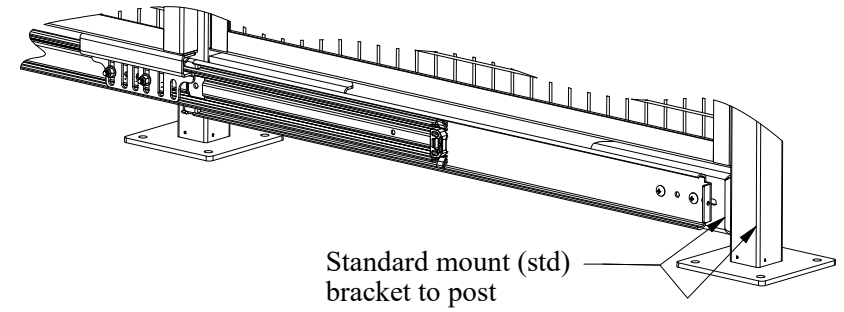
Compare $\frac{1}{2}$ the door opening width to the width of the adjacent panel.

-If they are equal: Use the standard (std) mounting option and proceed to **page 13**

Example: If the adjacent panel is 4 ft wide and the door opening is 8ft, then $\frac{1}{2}$ of 8ft =4ft, which equals the adjacent panel width

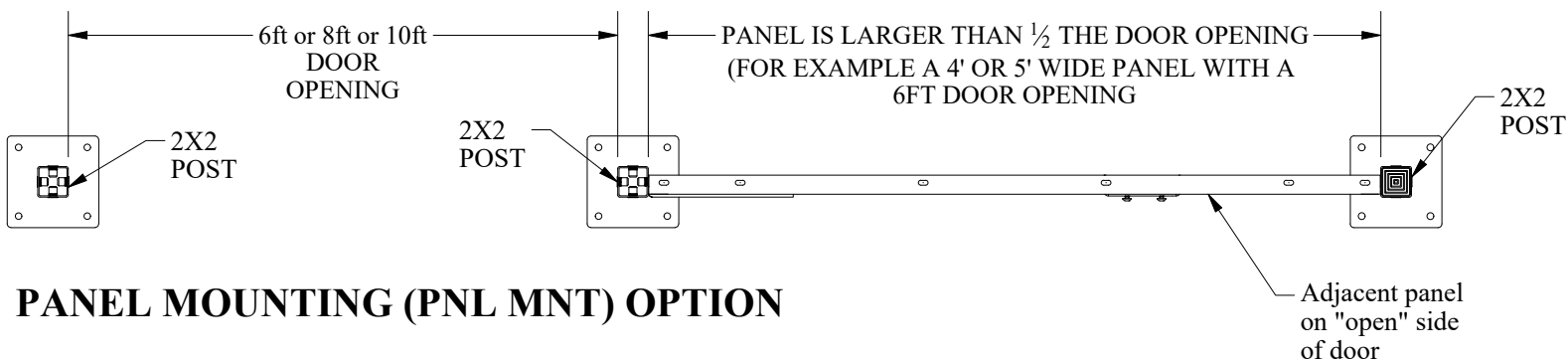
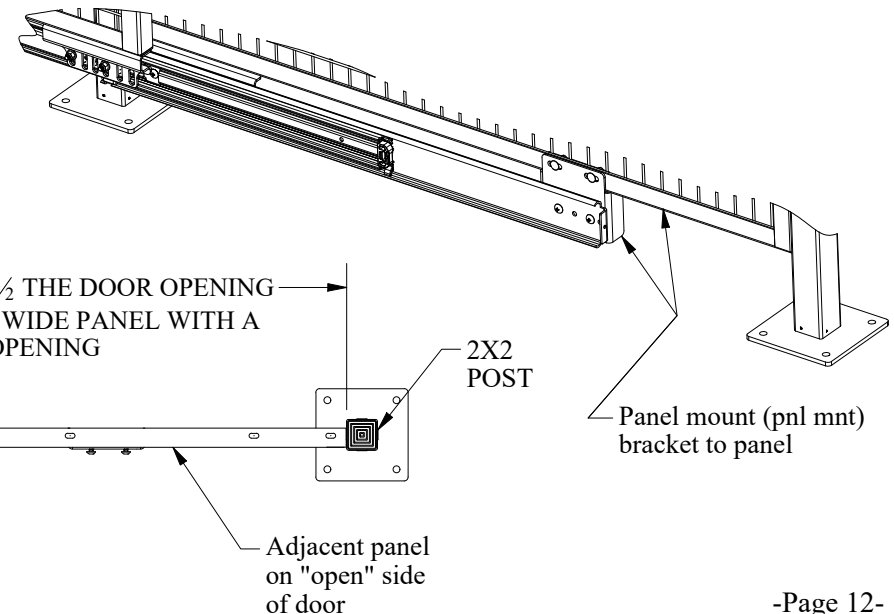
-If the measurements are not equal then refer to the panel mount (pnl mnt) option below.

***RIGHT DOOR SHOWN
OPPOSITE FOR LEFT DOOR***



STANDARD (STD) MOUNTING OPTION

If the $\frac{1}{2}$ door opening is smaller that the adjacent panel then proceed to **page 15** for assembly using the panel mounting (pnl mnt) option.

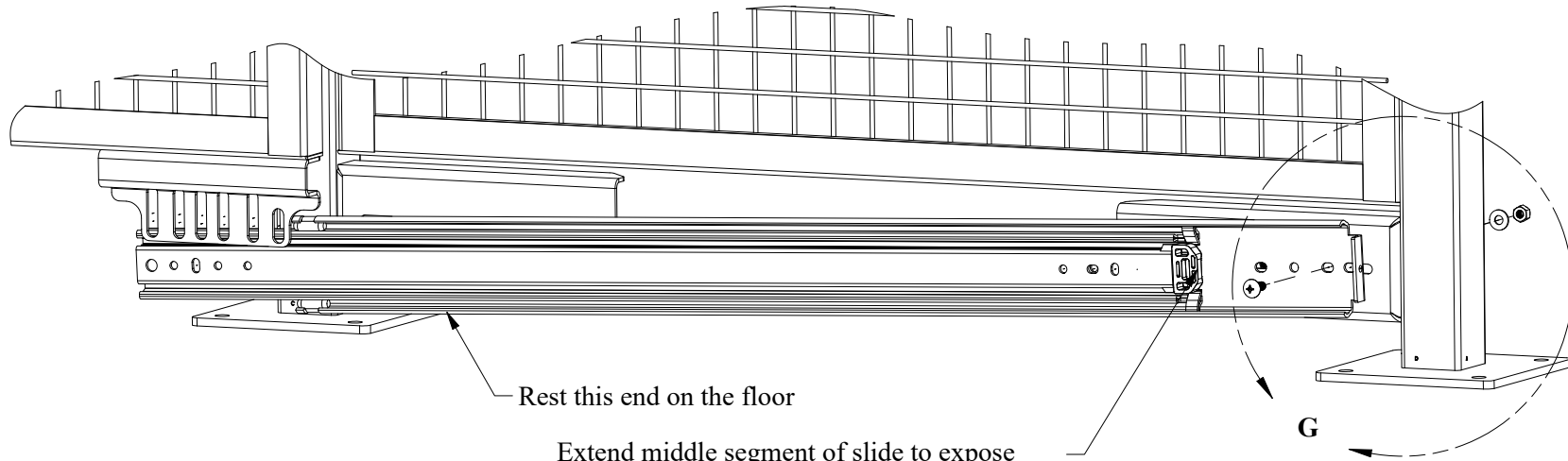


PANEL MOUNTING (PNL MNT) OPTION

RapidGuard II Slide Door

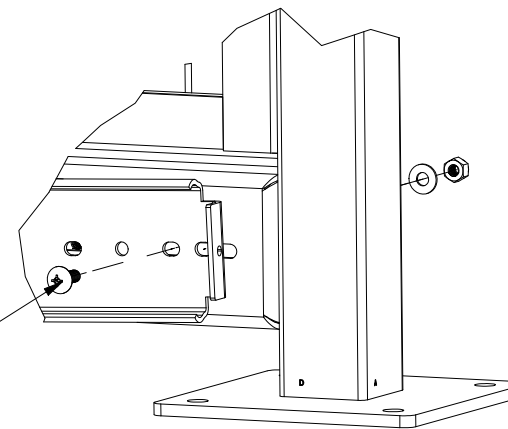
Lower Slide Install Std

***RIGHT DOOR SHOWN
OPPOSITE FOR LEFT DOOR***



Rest this end on the floor

Extend middle segment of slide to expose the hole pattern in the outer segment of slide. And install fasteners through the hole shown, but do not tighten.



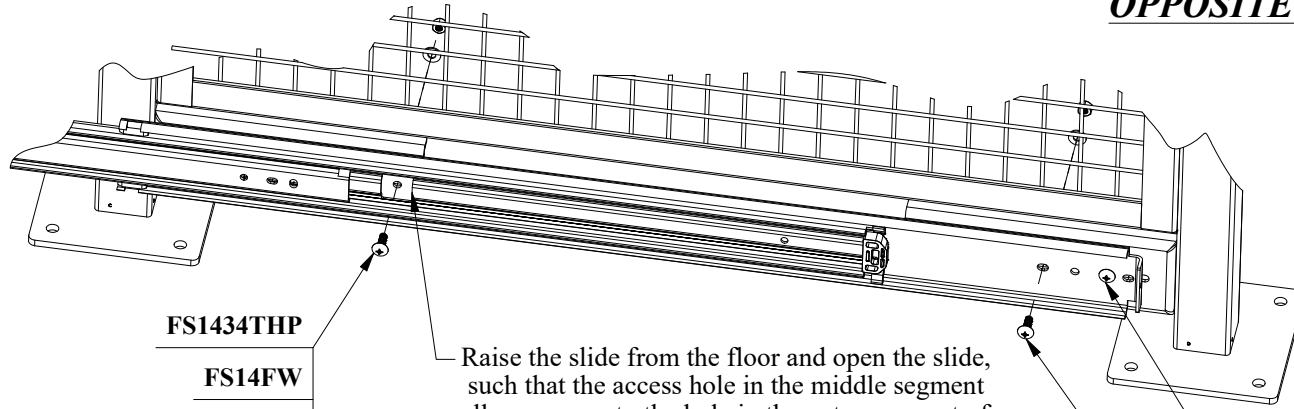
FS1434THP

FS14FW

SUD14LN

DETAIL G

***RIGHT DOOR SHOWN
OPPOSITE FOR LEFT DOOR***



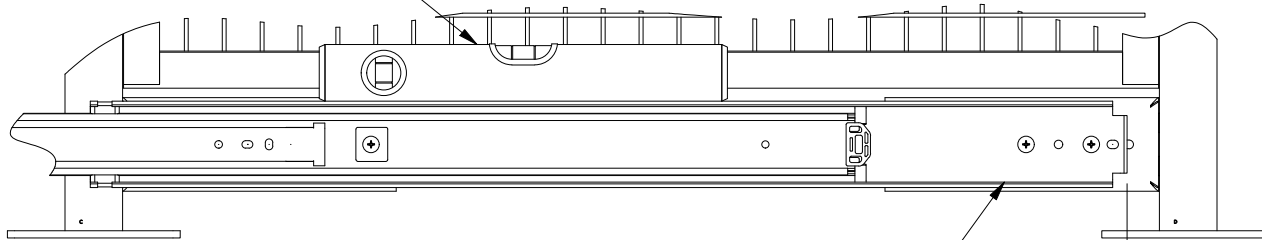
FS1434THP
FS14FW
SUD14LN

Raise the slide from the floor and open the slide, such that the access hole in the middle segment allows access to the hole in the outer segment of the slide and the post bracket.
Install one set of fasteners, but do not tighten.

Still loose

Install one set of fasteners here, but do not tighten.

Check the level of the slide before tightening fasteners.

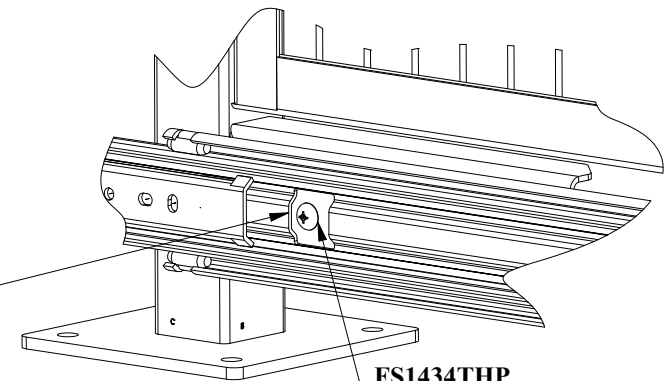


With the fasteners loose move the slide into position while holding the dimension shown. tighten all 3 fastener sets.

3 1/8"

!! HOLD THIS DIMENSION !!

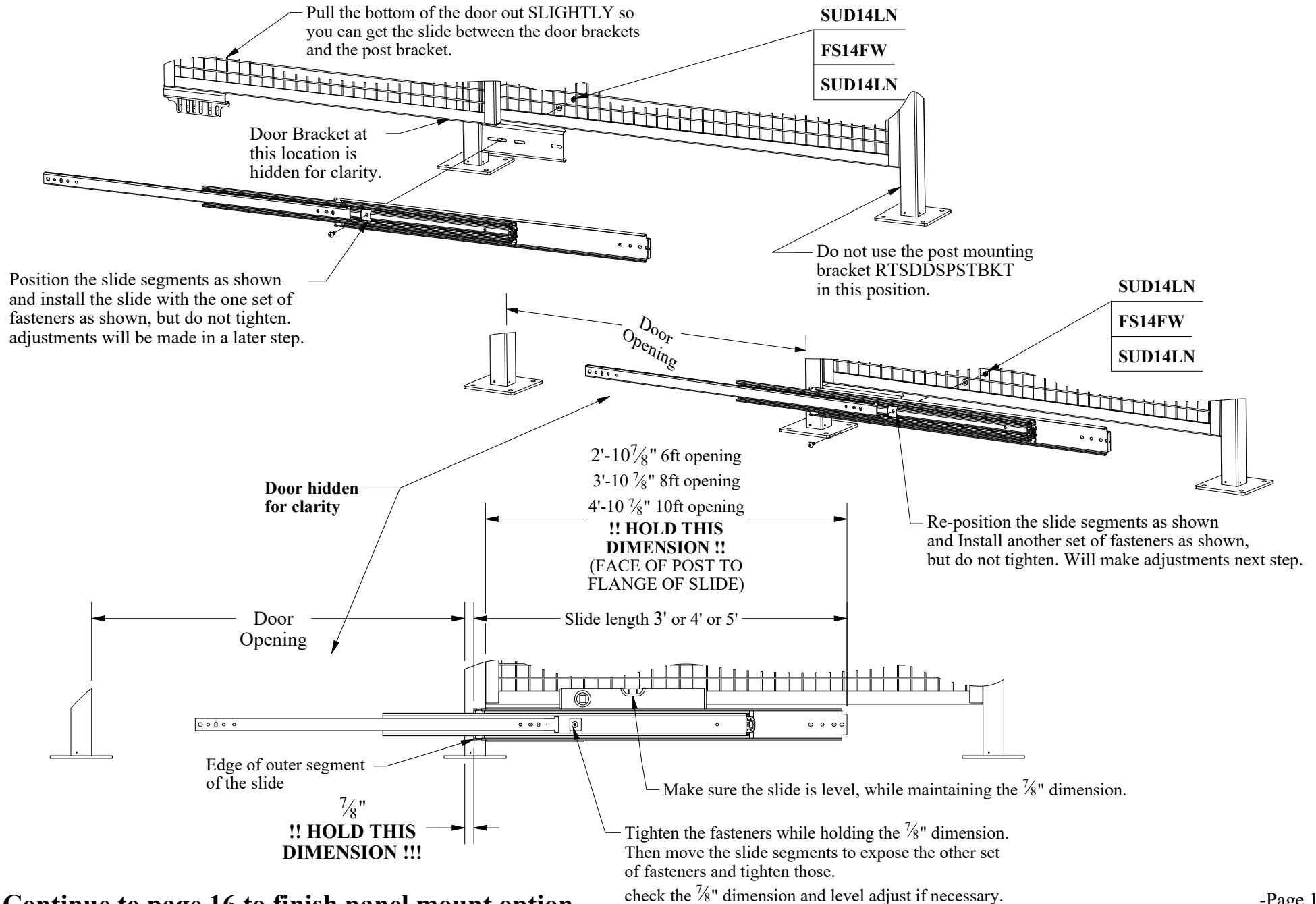
Continue to open the middle segment of the slide until the access hole aligns with the holes shown. Add a set of fasteners, and tighten



FS1434THP
FS14FW
SUD14LN

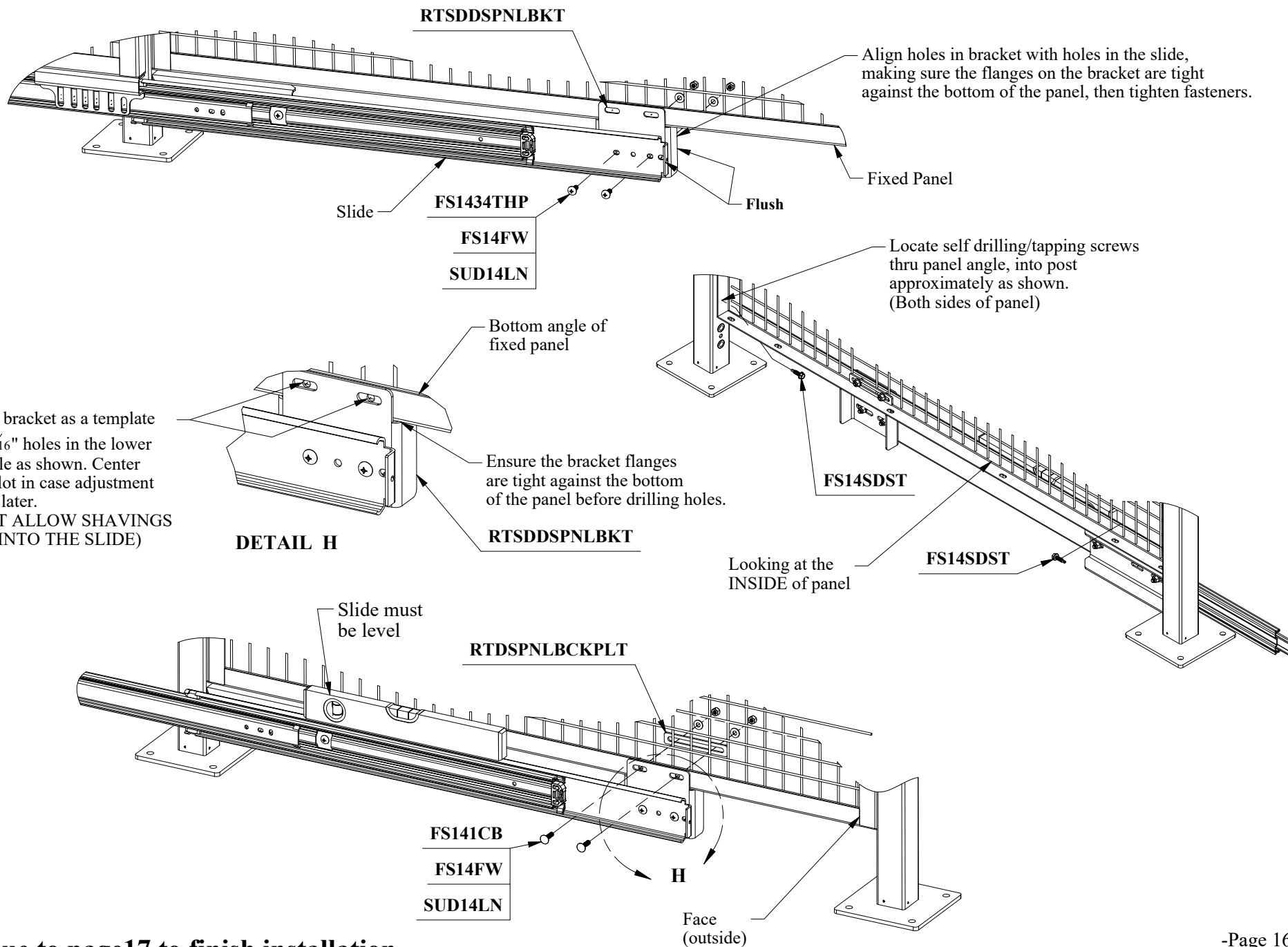
!! Continue to page17 for standard mounting.

Continuing assembly for panel mount (pnl mnt) option from page 12



RapidGuard II Slide Door

Lower Slide Install Pnl Mnt Finish

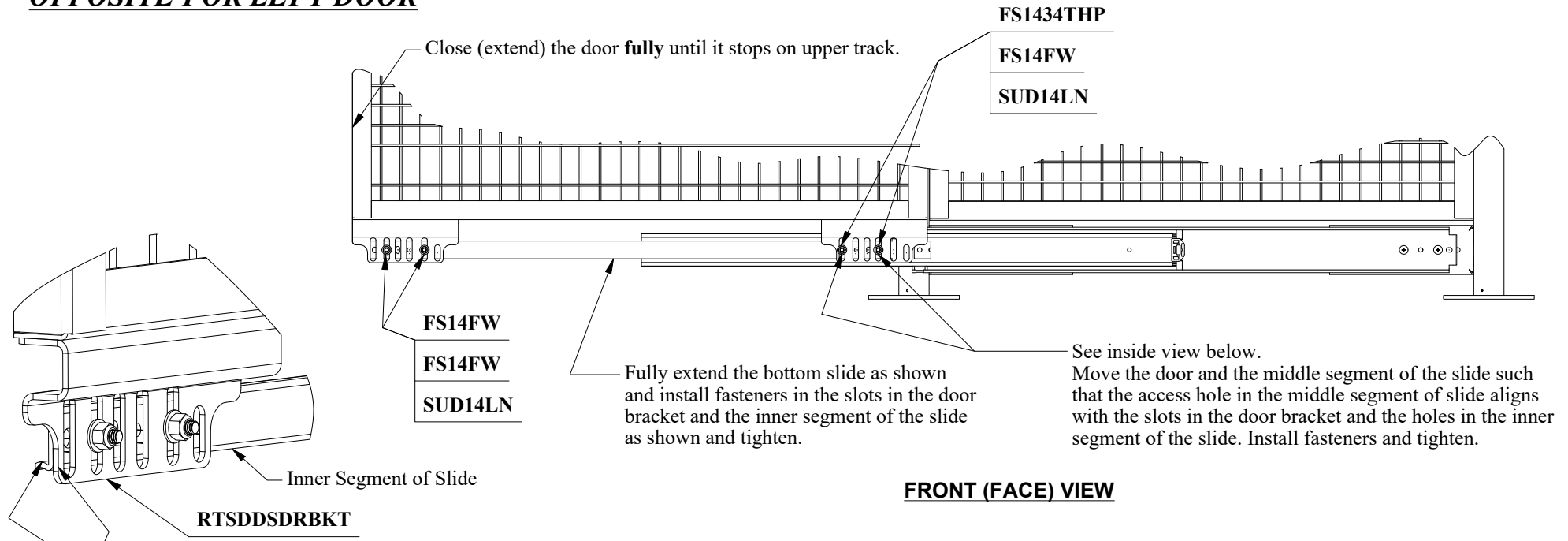


Continue to page17 to finish installation

RapidGuard II Slide Door

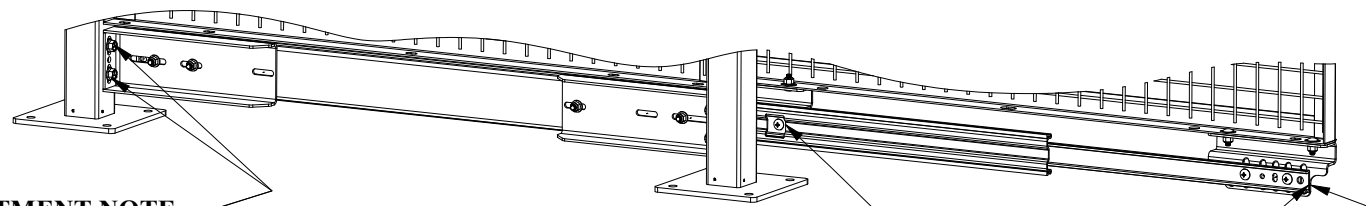
Door To Lower Slide Install

RIGHT DOOR SHOWN
OPPOSITE FOR LEFT DOOR



Flush

NOTE: With the door fully closed (extended): If the inner segment of the slide is not flush with the door bracket it will need to be adjusted such that it is.
First loosen the outer segment of slide at the post brackets then move slide until it is fully extended. And the inner segment of slide is now flush with door bracket notch and the holes in the inner slide segment and door bracket slots align.



ADJUSTMENT NOTE:
(after installation is complete)
If the door seems stiff when opening, you can adjust that out. While the door is closed, loosen but don't remove the 4 bolts on the 2 post brackets. Then open the door fully. This allows those brackets to "float" into position. With the door still open tighten the bolts when satisfied.

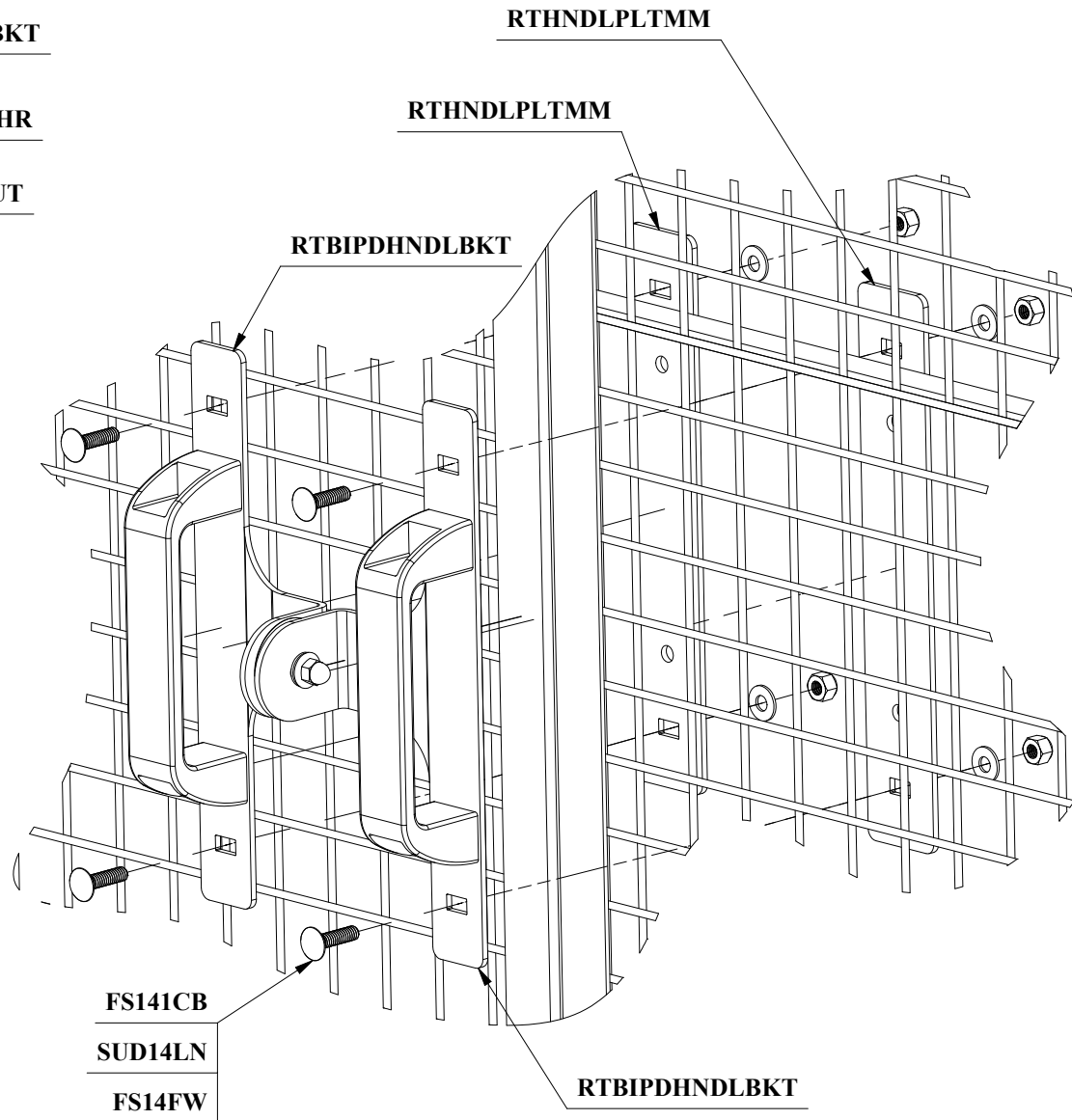
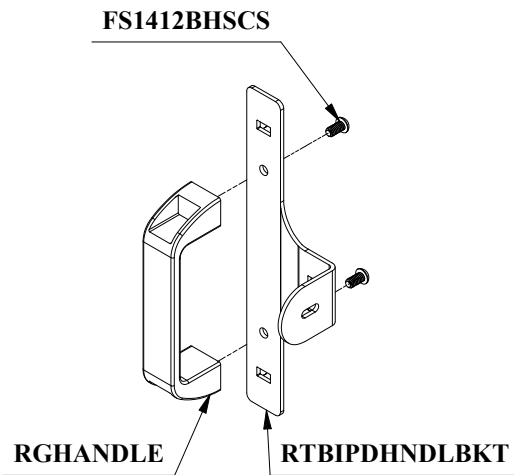
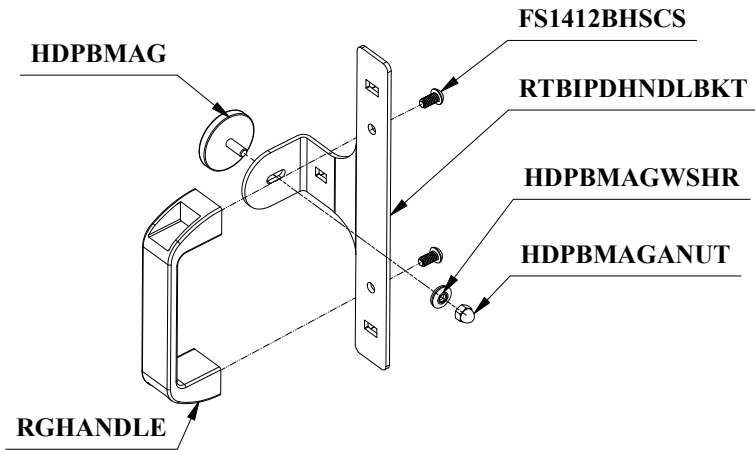
Move the door and the middle segment of the slide such that the access hole in the middle segment of slide aligns with the slots in the door bracket and the holes in the inner segment of the slide. Install fasteners and tighten.

End of inner segment of slide and notch of door bracket must be flush.

BACK (INSIDE) VIEW

RapidGuard II Slide Door

Handle Install



Thanks for using

WireCrafters

Machine Guarding

For more information on WireCrafters products please visit our website at www.machineguarding.com