

affordable security



The LX100 is a keyless proximity door lock that fits standard interior doors. Simply replace your existing cylindrical style door handle with the LX100 for an economical access control system in your business or home. The locks feature stand alone operation and do not require the use of a computer or external device for programming. They are powered by standard alkaline batteries eliminating the need for wiring. The LX100 uses radio frequency technology to instantly identify proximity badges and key fobs.

LX100

PROXIMITY BADGE DOOR LOCK



Replaces Existing Door Handles



LATHEM

FEATURES

- Economical door access control for up to 120 users per lock
- User installable on most existing interior wood or metal doors
- Uses credit card size proximity badges (included) or optional key fobs
- 5 proximity badges included (additional badges sold separately)
- Badges can be assigned to additional locks for multi-door systems
- Eliminates locksmith costs and hassles of re-keying
- Heavy duty stainless steel construction
- Stand-alone operation - no computer required
- 2 mechanical backup keys
- Operates for 1 year or 4,000 uses on 4 AA batteries (not included)
- LED and audio tone alerts for badge authorization
- Fits door thickness from 1 3/8" to 2" and a standard 2 1/8" hole cutout
- Adjustable latch fits standard 2 3/8" or 2 5/8" backsets
- One year warranty

SPECIFICATIONS

Dimensions: 5 1/4"W w/ lever x 6"H x 1 5/8"D

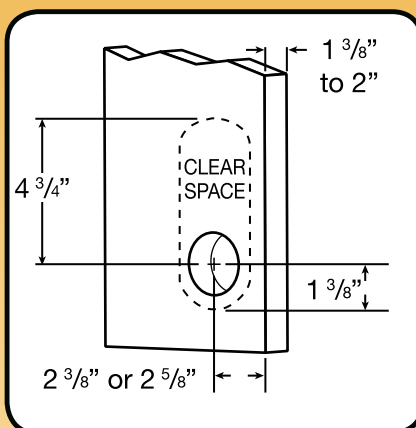
Operating temperature: 32-140° F

Operating humidity: 15-95% RH

Weight: 4.3 lbs.

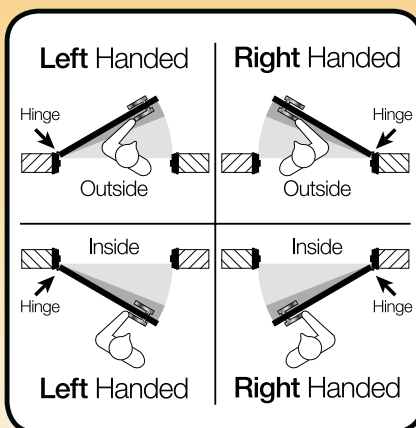
Door Requirements

- Door thickness - from 1 3/8" to 2"
- Hole cutout - standard 2 1/8"
- Backset - standard 2 3/8" or 2 5/8"
- Clear Space - see diagram to the right



Which lock do I need?

Handing for an LX100 is determined by standing on the outside facing the door. If the hinges are on the left hand side, you need a left hand LX100 (LX100-L). If the hinges are on the right hand side, you need a right hand LX100 (LX100-R). See diagram to the right



ACCESSORIES



Extra Employee Badges



Badge Reels



Keychain Fobs

Security Made Simple



Remove existing handle



Replace with LX100



Present proximity badges



Open secured door

TIME • LABOR • SECURITY
Atlanta, Georgia USA • www.lathem.com



This information is subject to change without notice. Copyright © 2009 Lathem Time Corporation. Printed in USA.
Lathem and the Lathem logo are registered trademarks of Lathem Time Corporation.