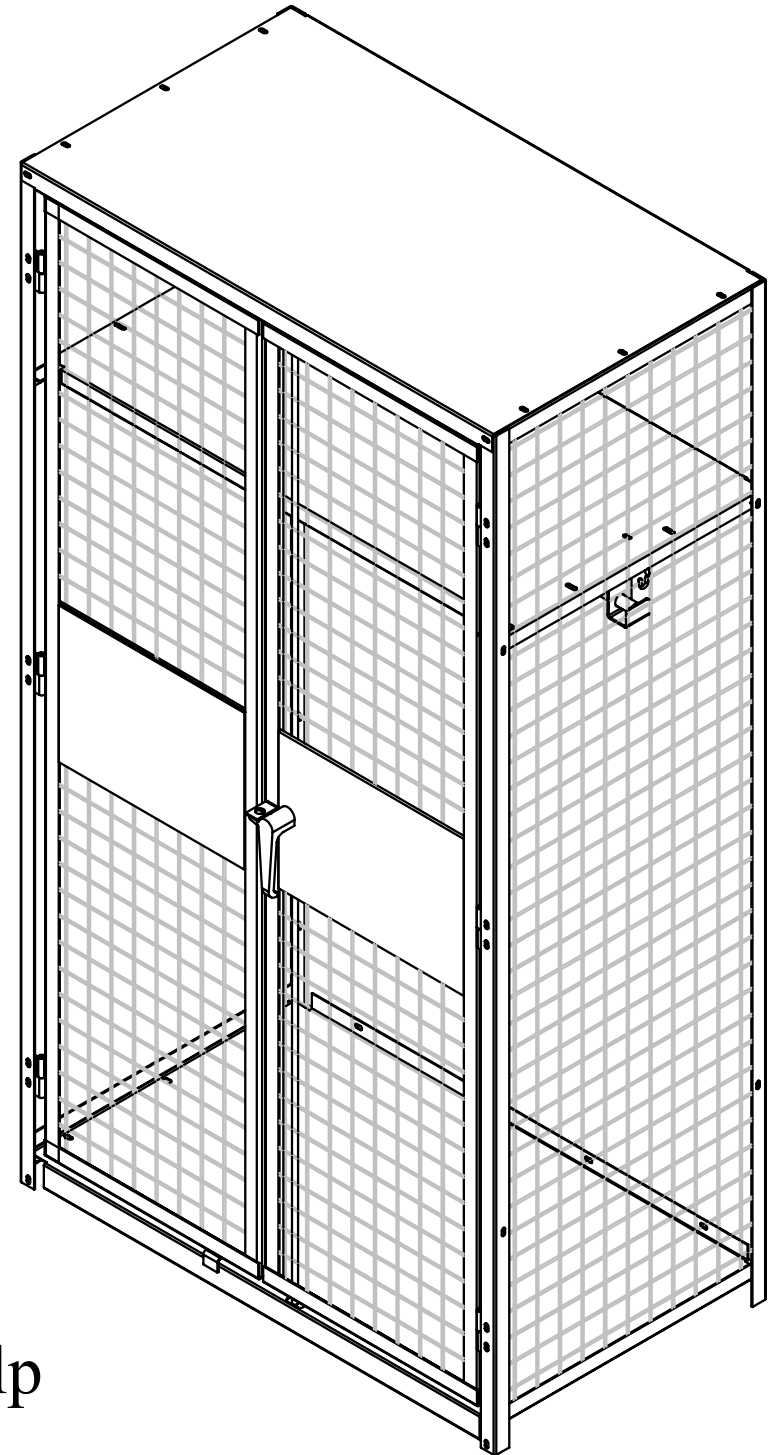


WireCrafters

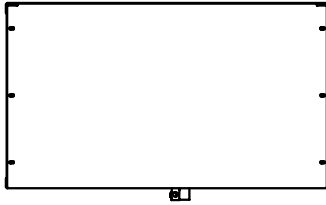
Industrial & Military Type Locker Installation Instructions

INCLUDED IN THIS MANUAL

- 2 General Information
- 3 Side Walls & Back
- 4 Top & Bottom
- 5 Hinges
- 6 Door Panels
- 7 Shelf Supports
- 8 Shelf
- 9 Coat Rod
- 10 Coat Hooks



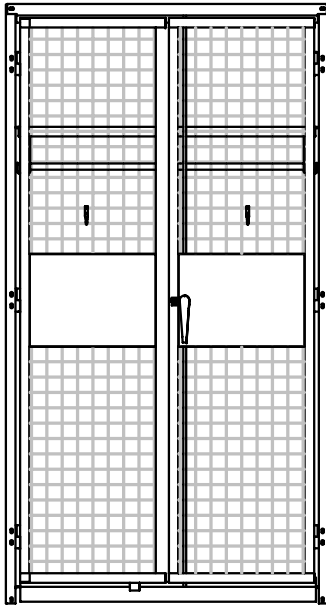
We're Here To Help
1-800-626-1816



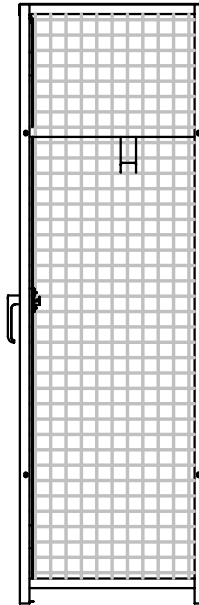
TOP
VIEW

Tools needed:

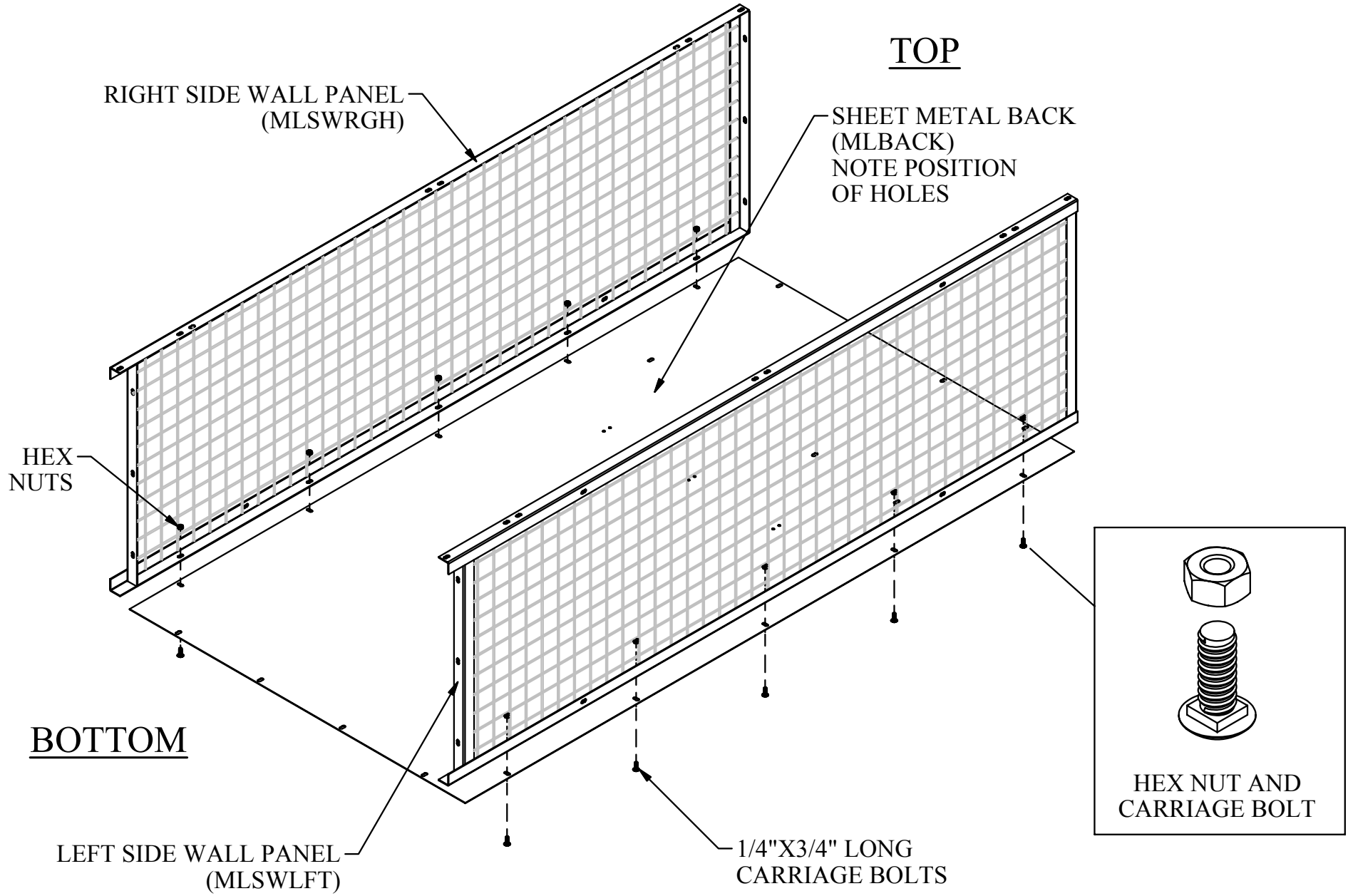
- 3/8" open end wrench and/or socket
- 5/16" open end wrench and/or socket
- 9/16" open end wrench and/or socket
- Hammer drill (if anchor desire)
- 3/8" masonry bit

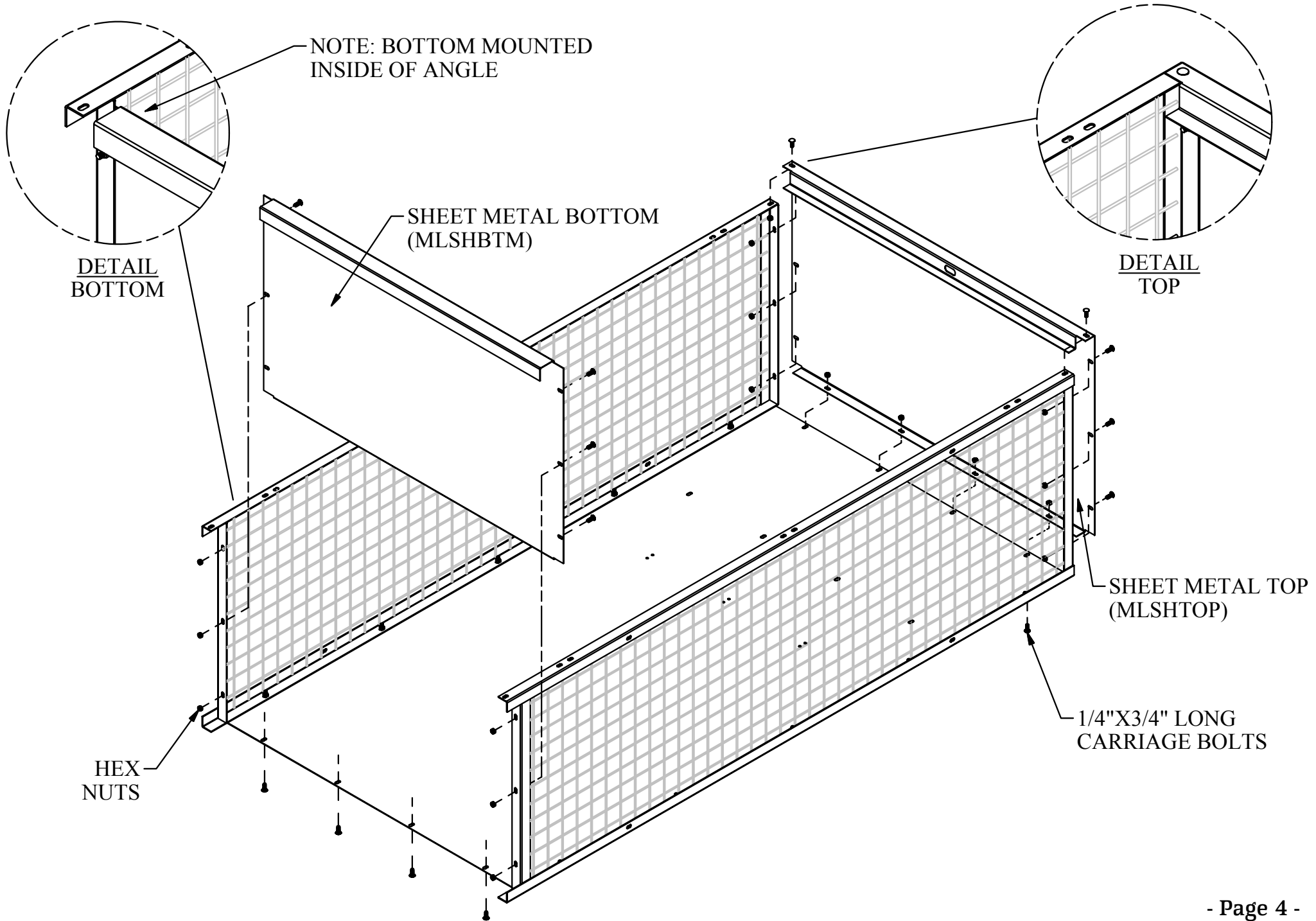


FRONT
VIEW



RIGHT
END VIEW



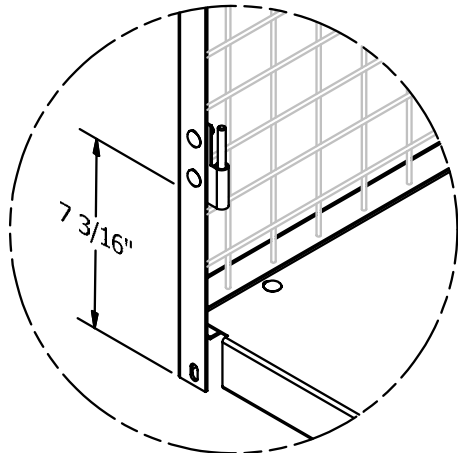


INSTALLATION TIP: Attach bottom hinges and tighten all the way. Check dimension of bottom hinge. Loosely attach middle and top hinges. Do not tighten all the way until doors are installed.

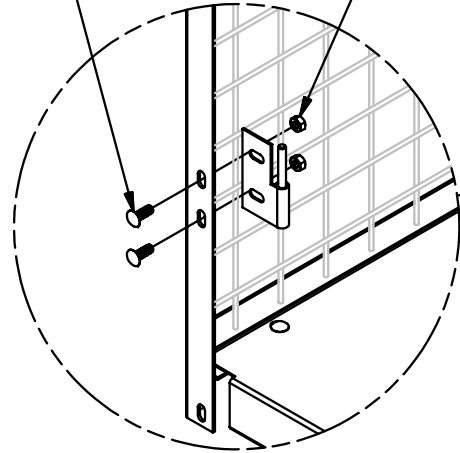
RIGHT SIDE HINGE
(MLHGMARGHP)

1/4"X3/4" LONG
CARRIAGE BOLTS

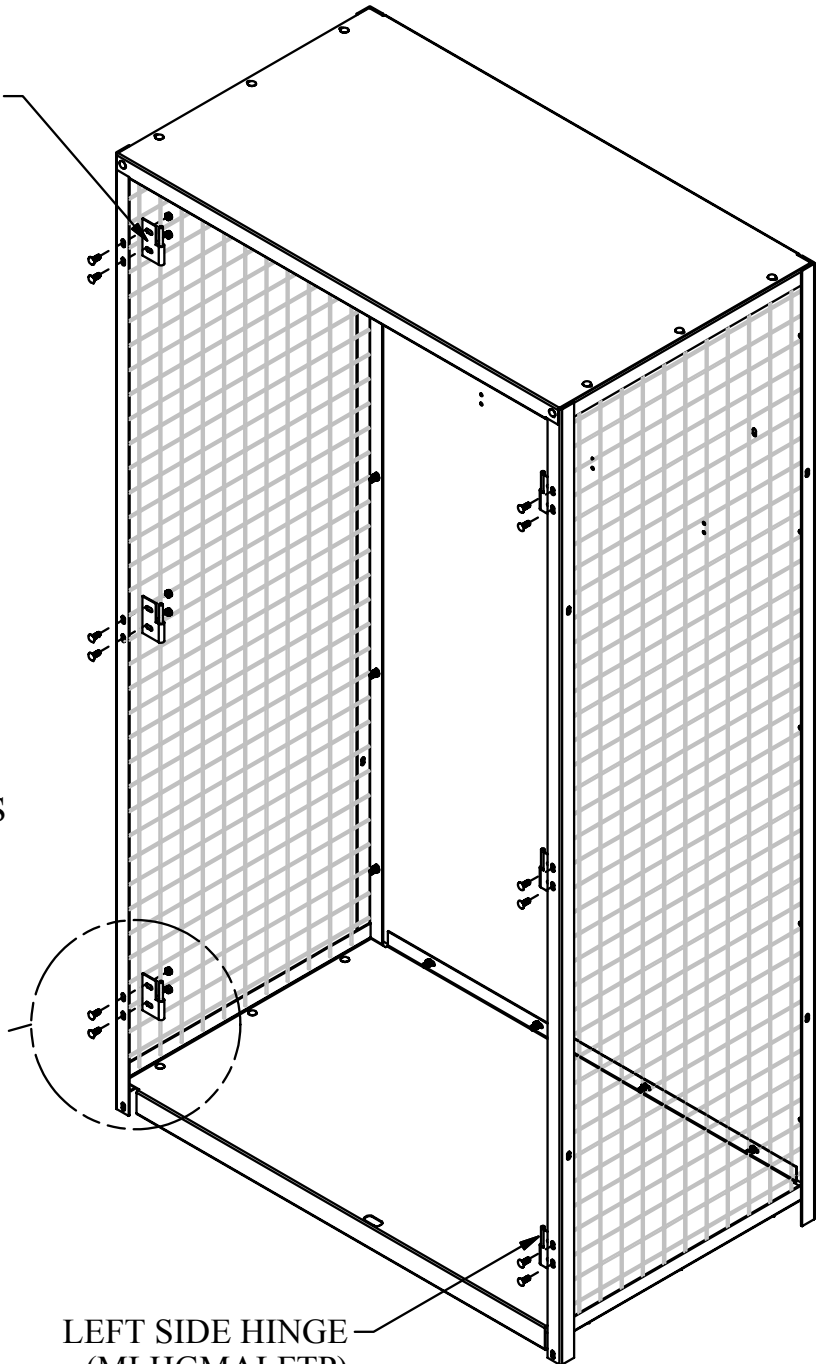
HEX
NUTS



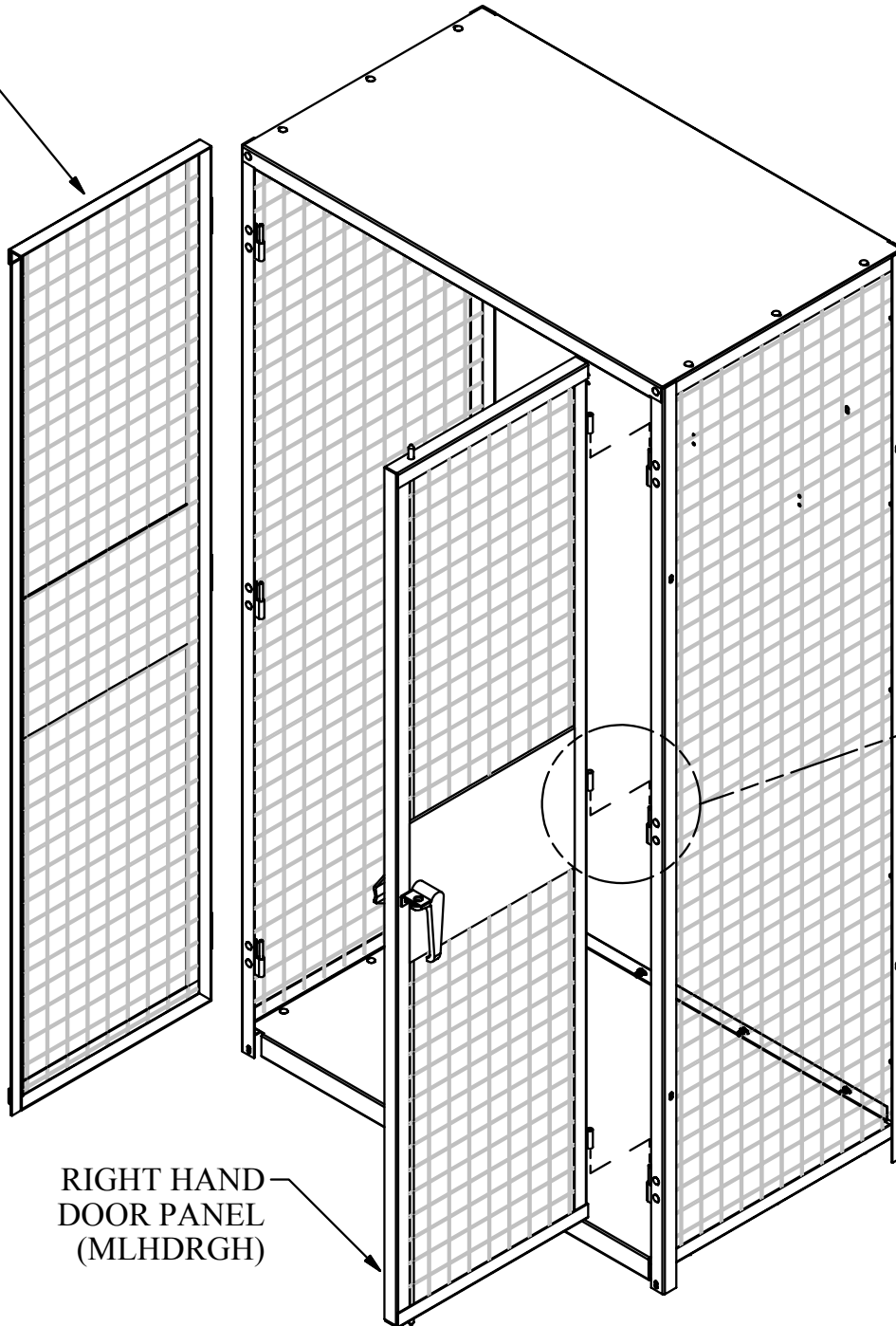
DETAIL
HINGE DIMENSION



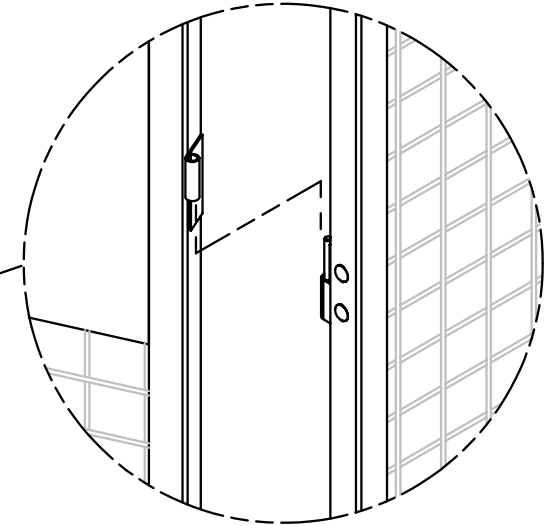
LEFT SIDE HINGE
(MLHGMALFTP)



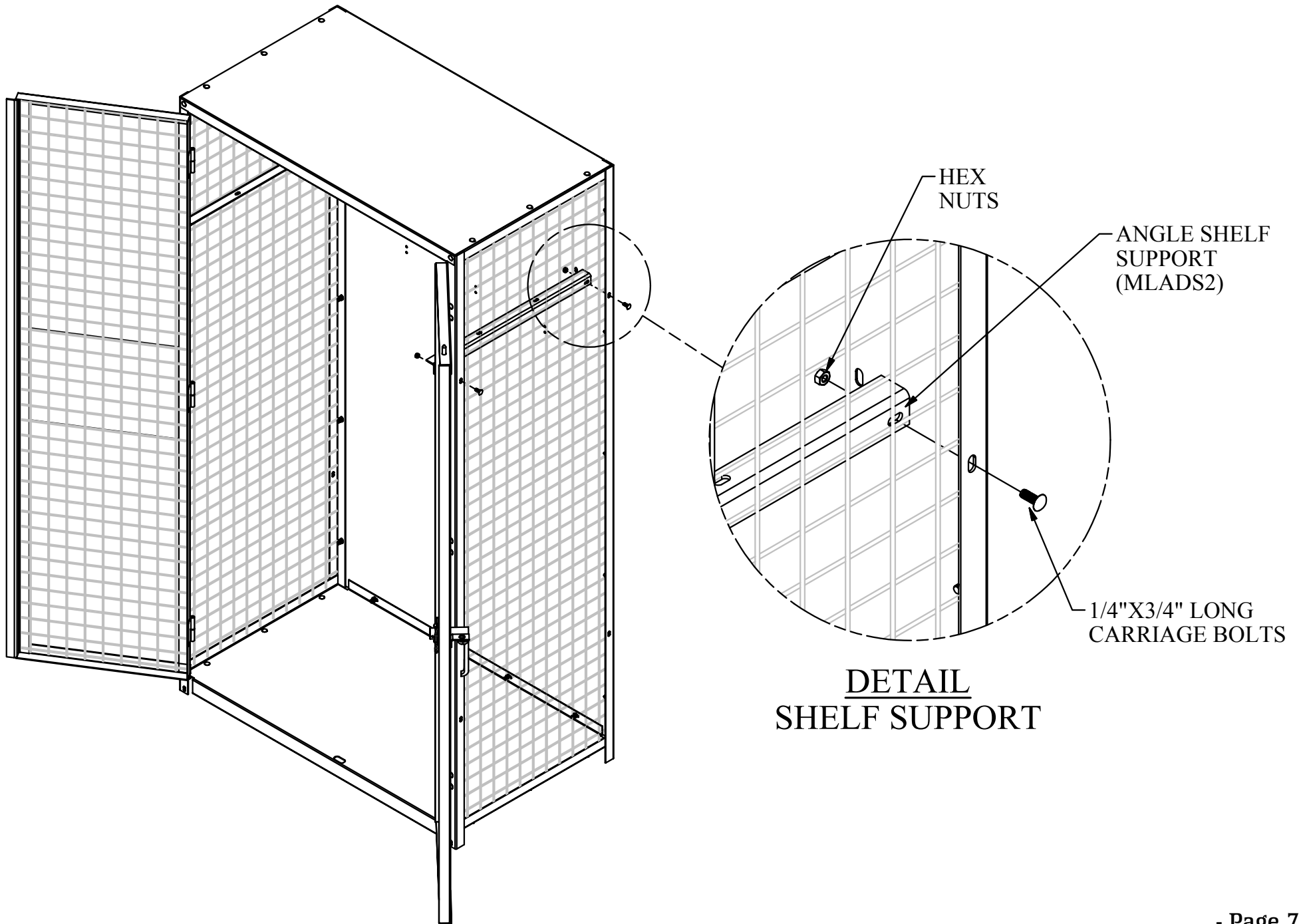
LEFT HAND
DOOR PANEL
(MLHDLFT)



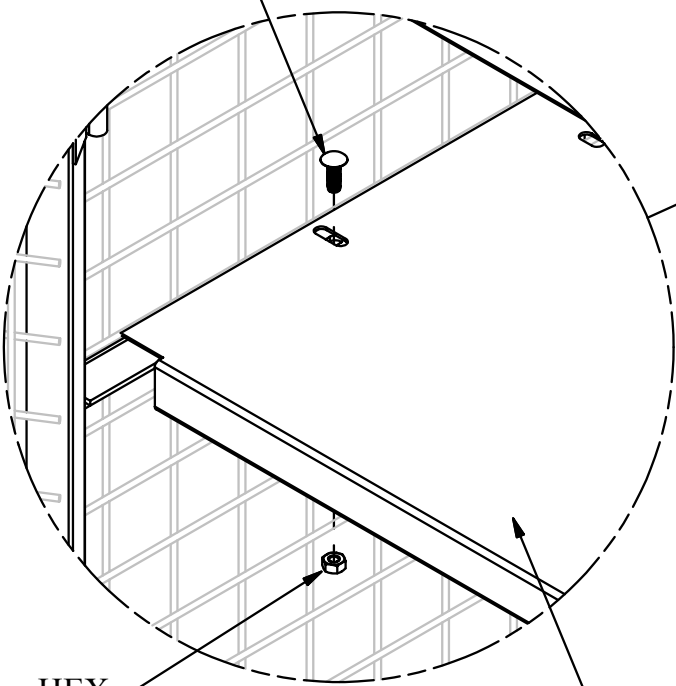
RIGHT HAND
DOOR PANEL
(MLHDRGH)



DETAIL
HINGERS



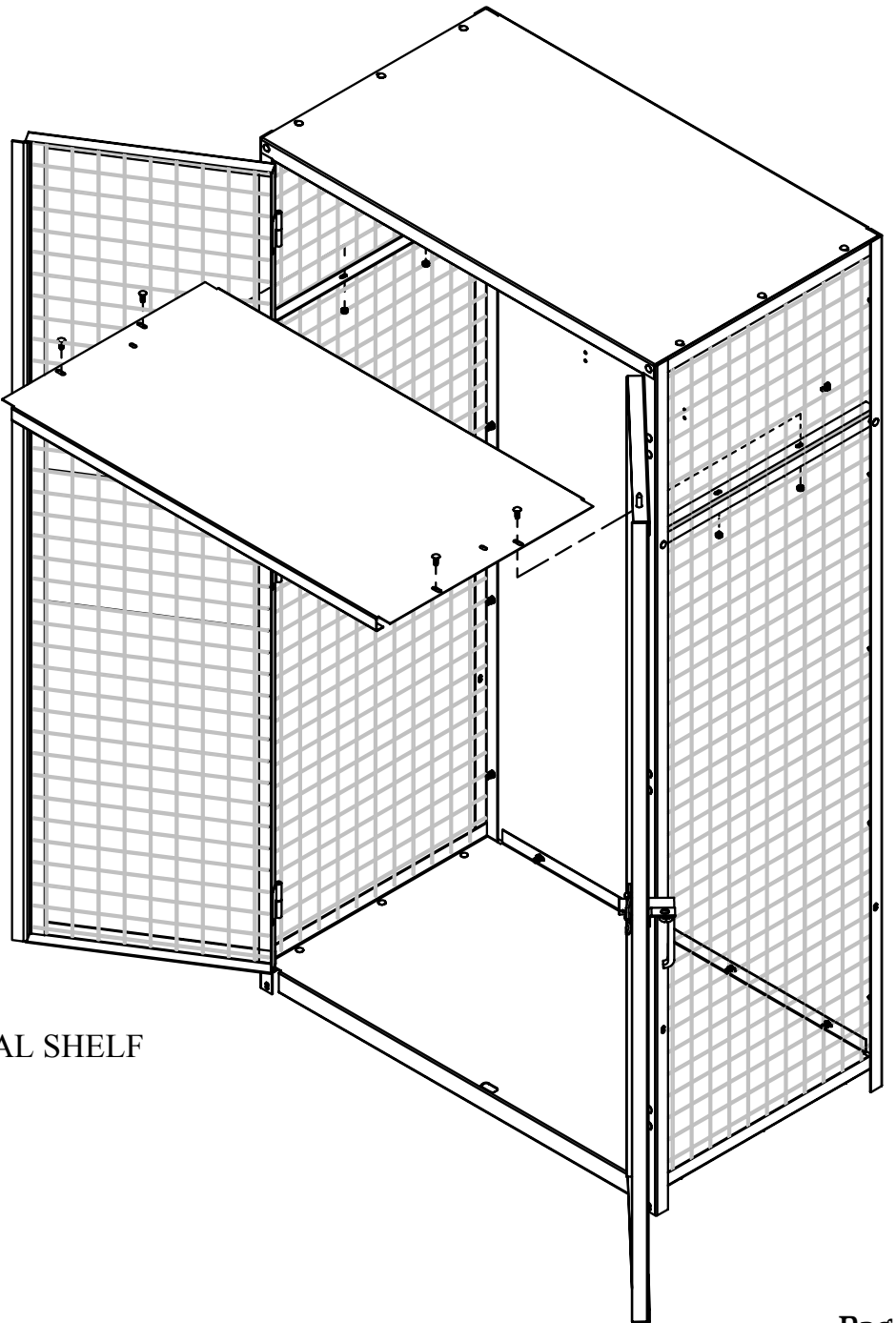
1/4"X3/4" LONG
CARRIAGE BOLTS

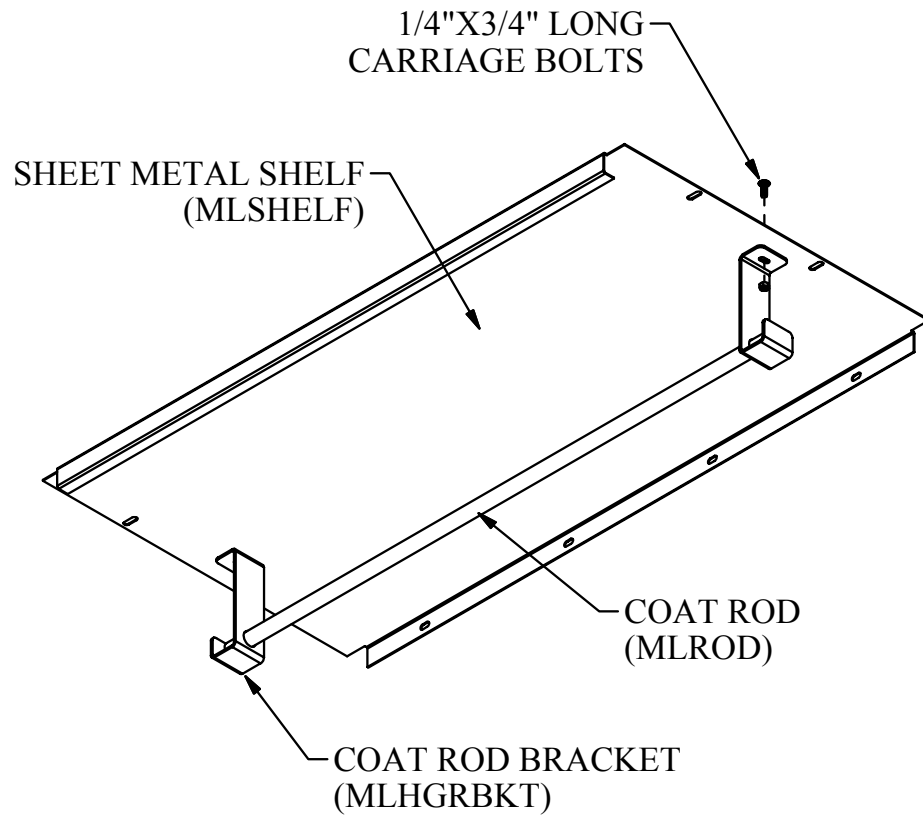


HEX
NUTS

DETAIL
SHELF

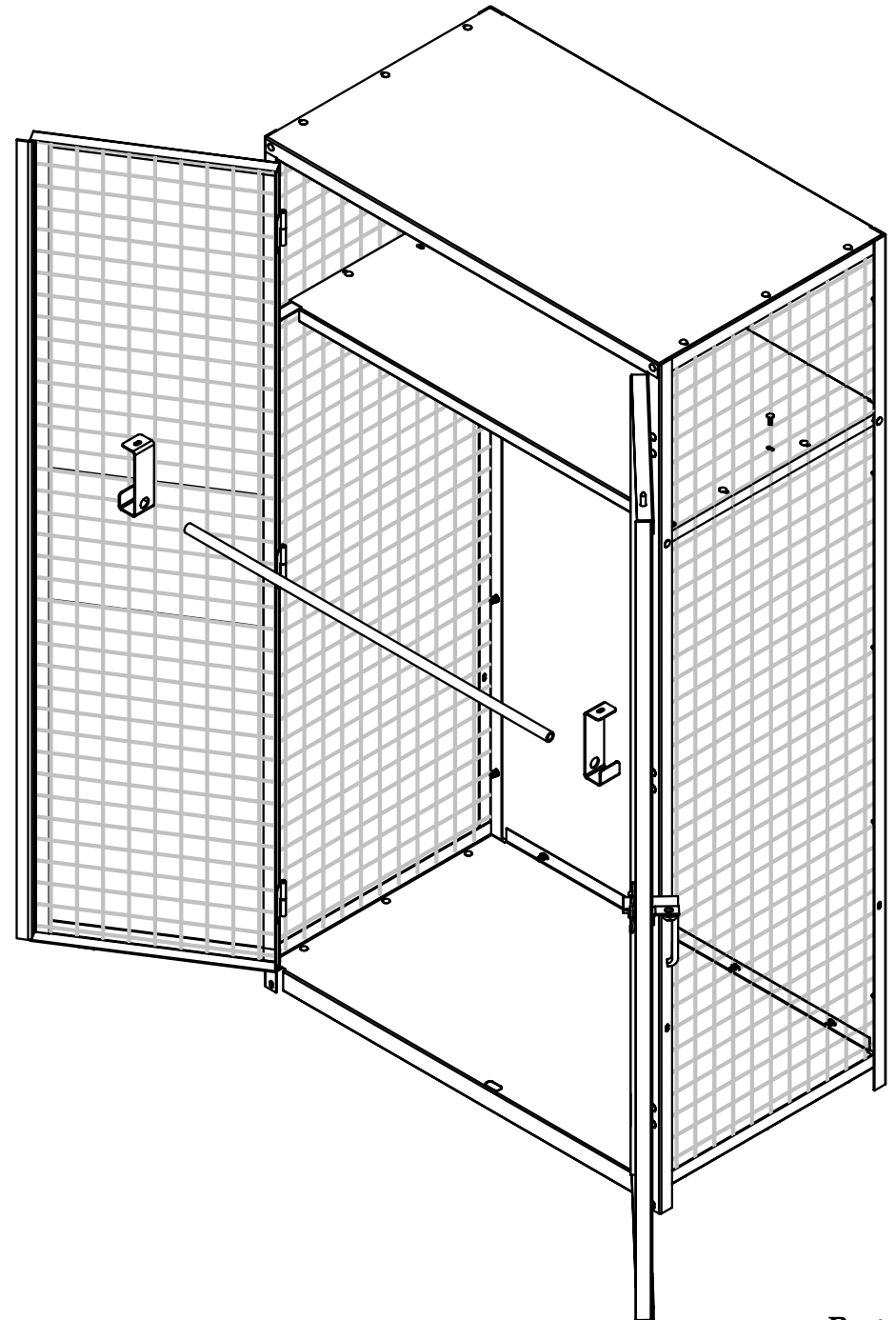
SHEET METAL SHELF
(MLSHELF)

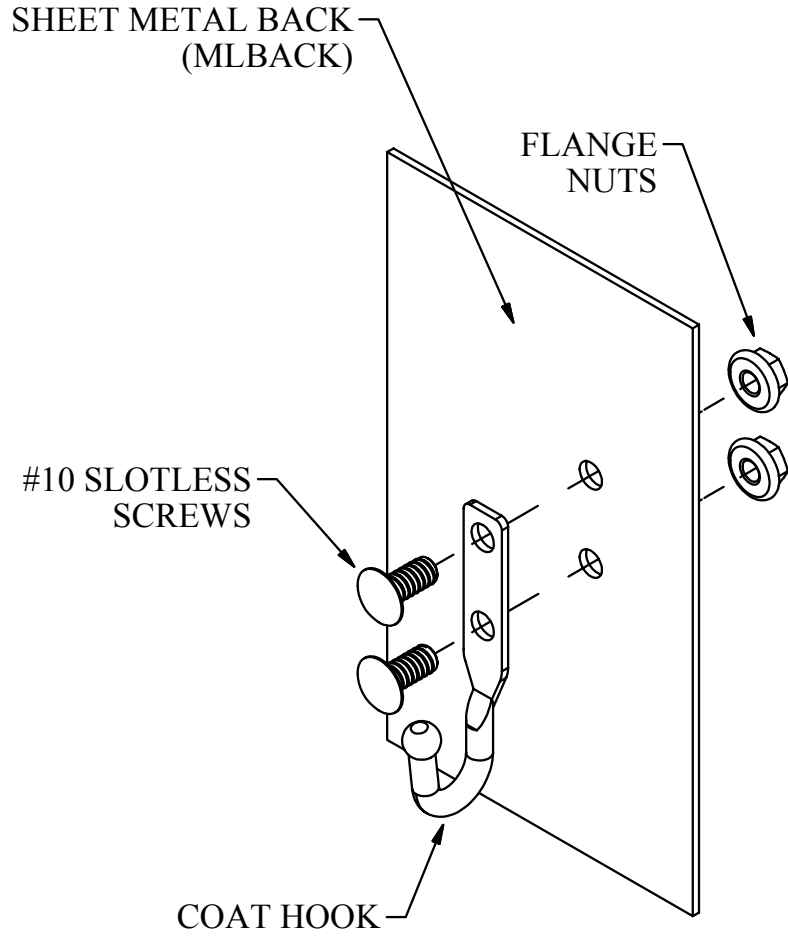




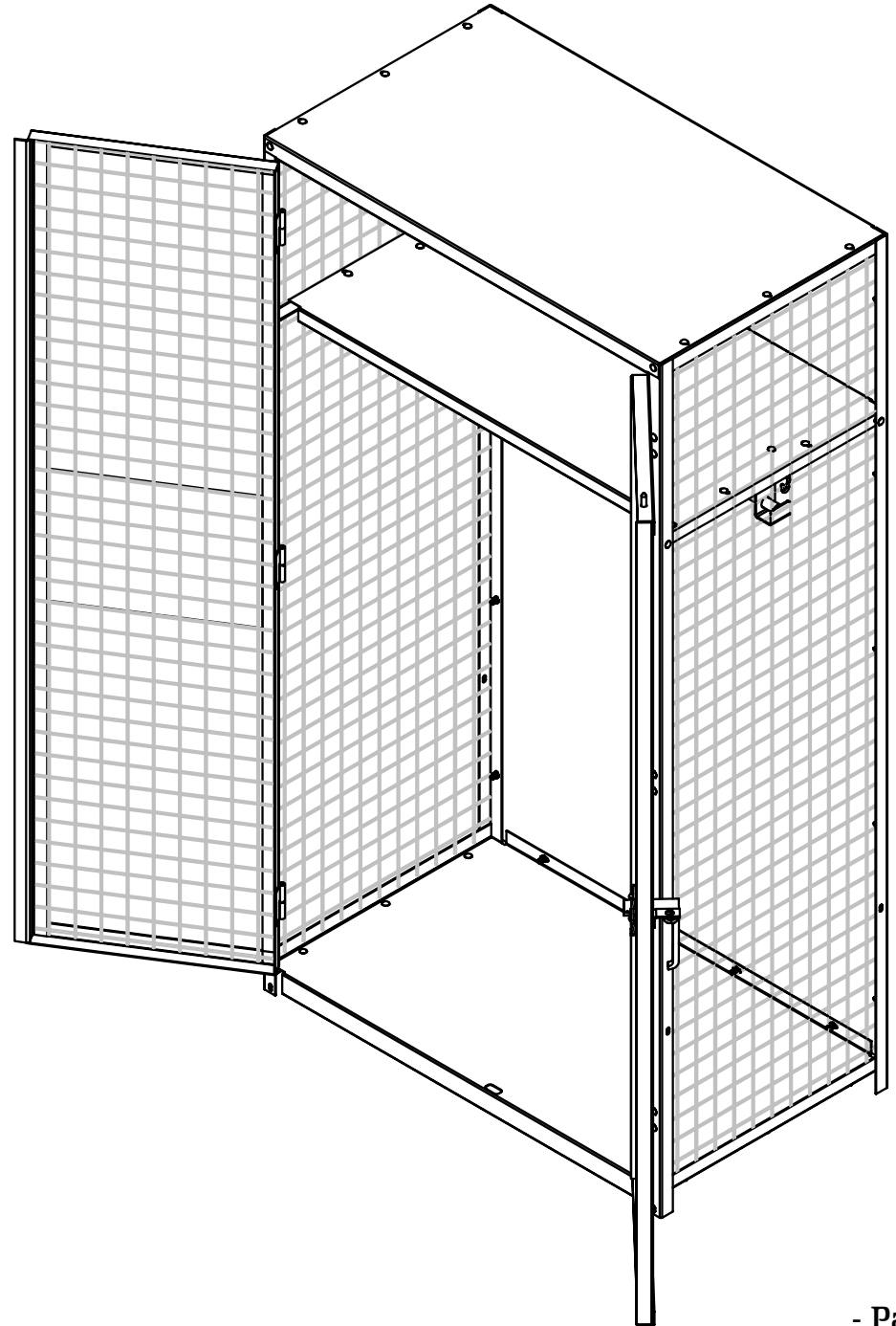
DETAIL SHELF/COAT ROD (BOTTOM SHOWN)

INSTALLATION TIP: Attach one coat rod bracket to bottom shelf. Slide coat rod into hanger. Attach second coat rod bracket.





DETAIL
COAT HOOK



Thanks for using

WireCrafters

Industrial & Military Type Lockers.

Tool Cribs * Storage Lockers * Machine Guards * Mezzanine Rails * Pallet Rack Backs * Security Enclosures