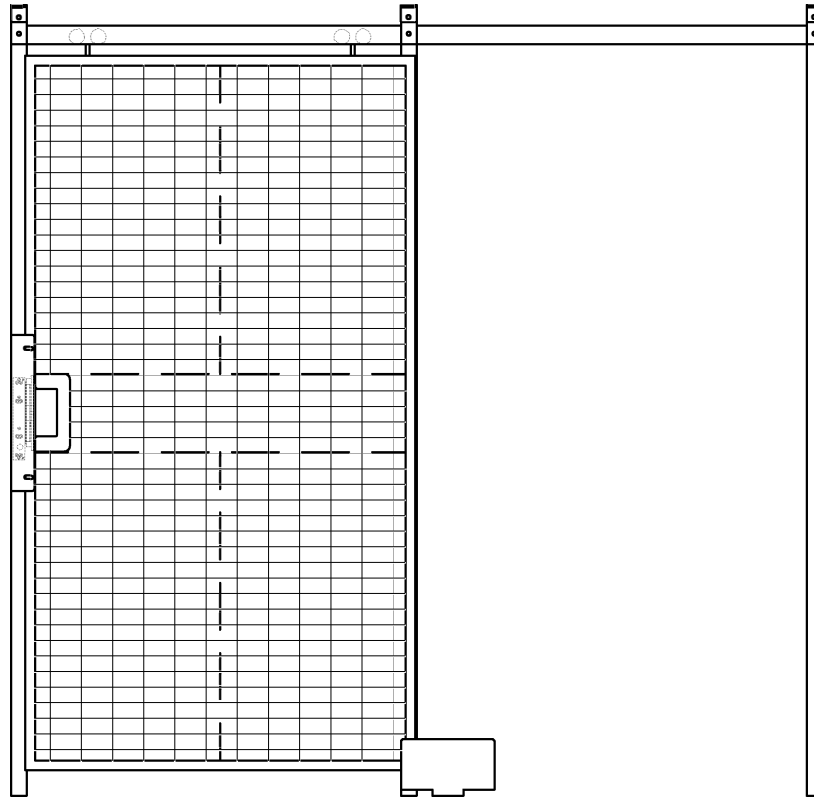


WireCrafters

Magnetic Lock Installation Instructions

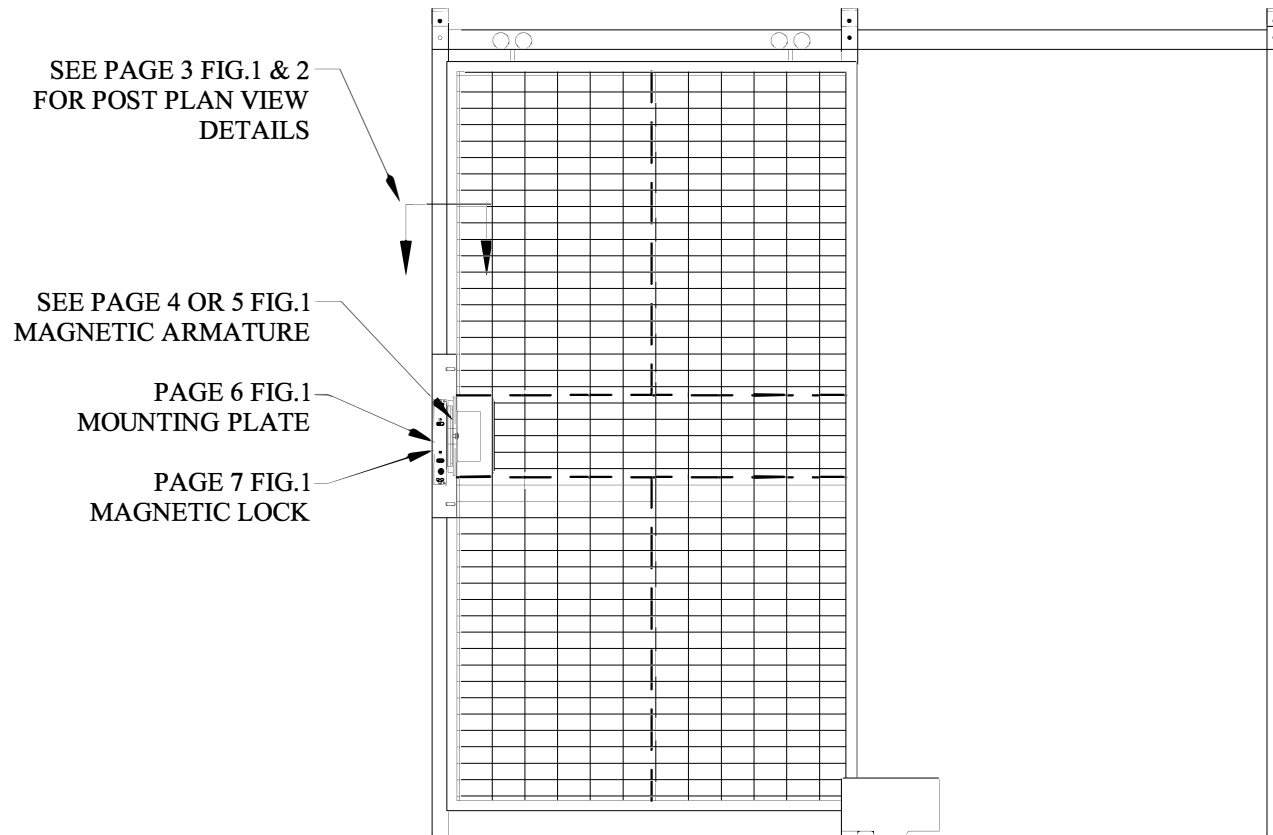


INCLUDED IN THIS MANUAL

Slide Door Elevation	2
Post Plan View Details	3
Armature Outside Door	4
Armature Inside Door	5
Mounting Plate	6
Magnetic Lock	7

Revision 1.5 2/2/18
By: JR Marsteller

We're Here To Help
1-800-626-1816
Mon-Fri 8am-5pm ET



Notes to Installer

1. Install slide door using WireCrafters installation manual.
Note: Disregard installation of door lock supplied in WireCrafters Installation Manual.

ELEVATION
FACESIDE

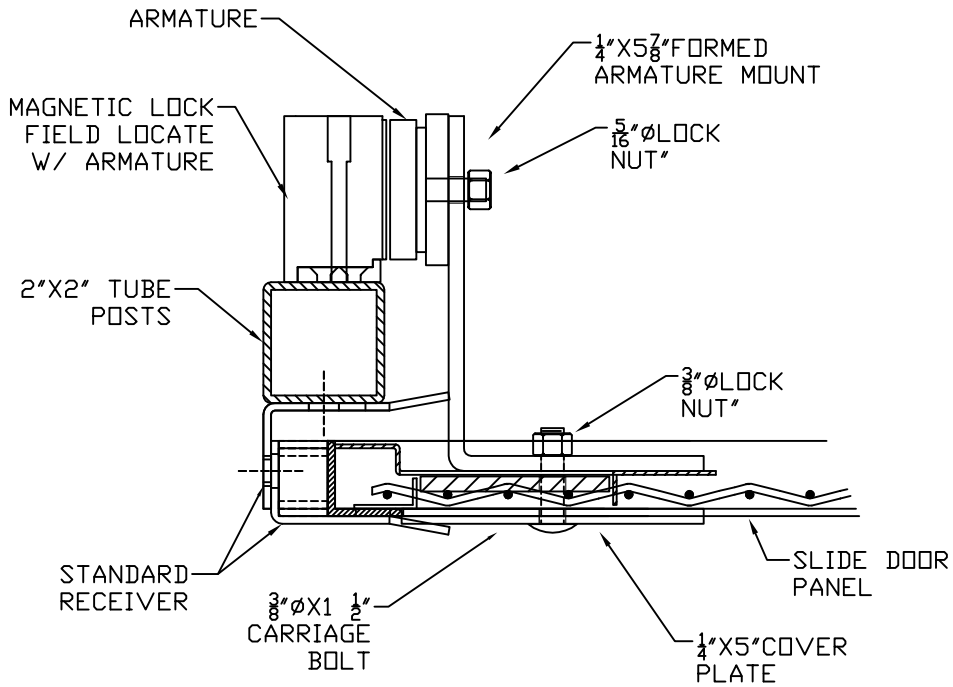


Fig.1

MAGNETIC LOCK DETAIL
OUTSIDE DOOR SHOWN

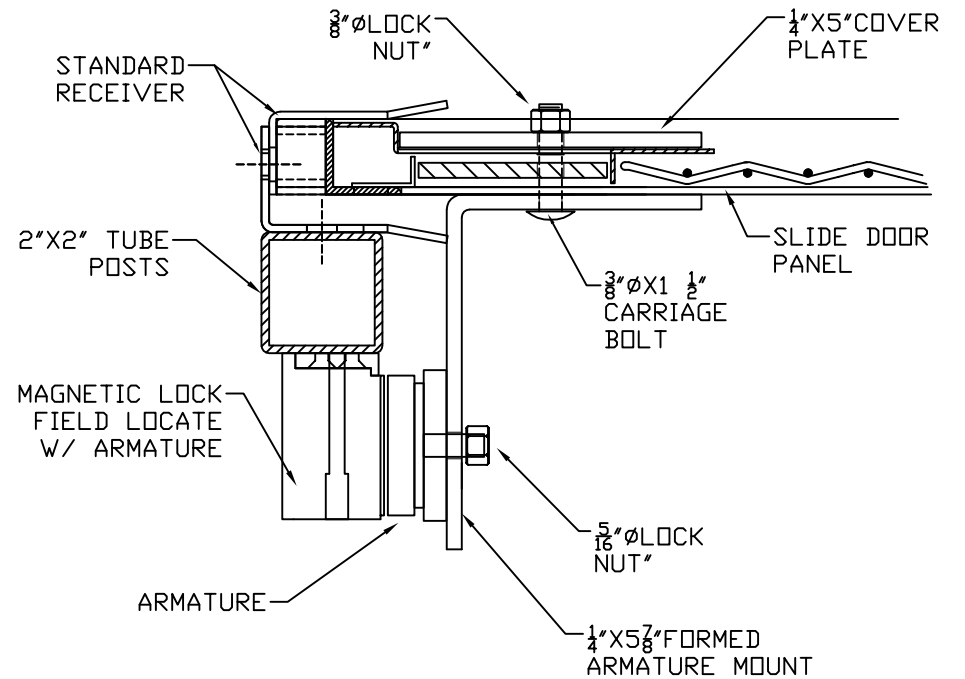
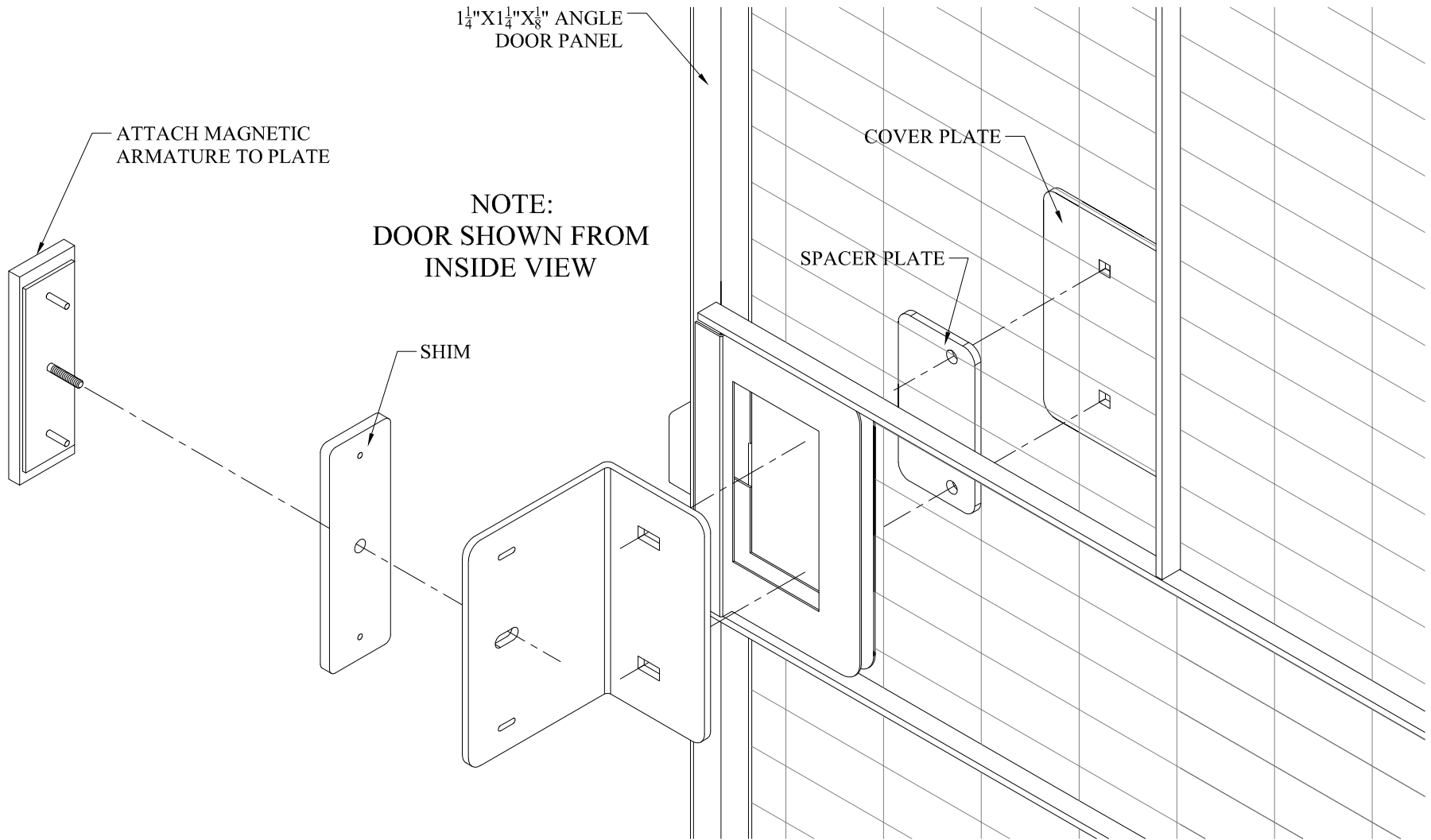


Fig.2

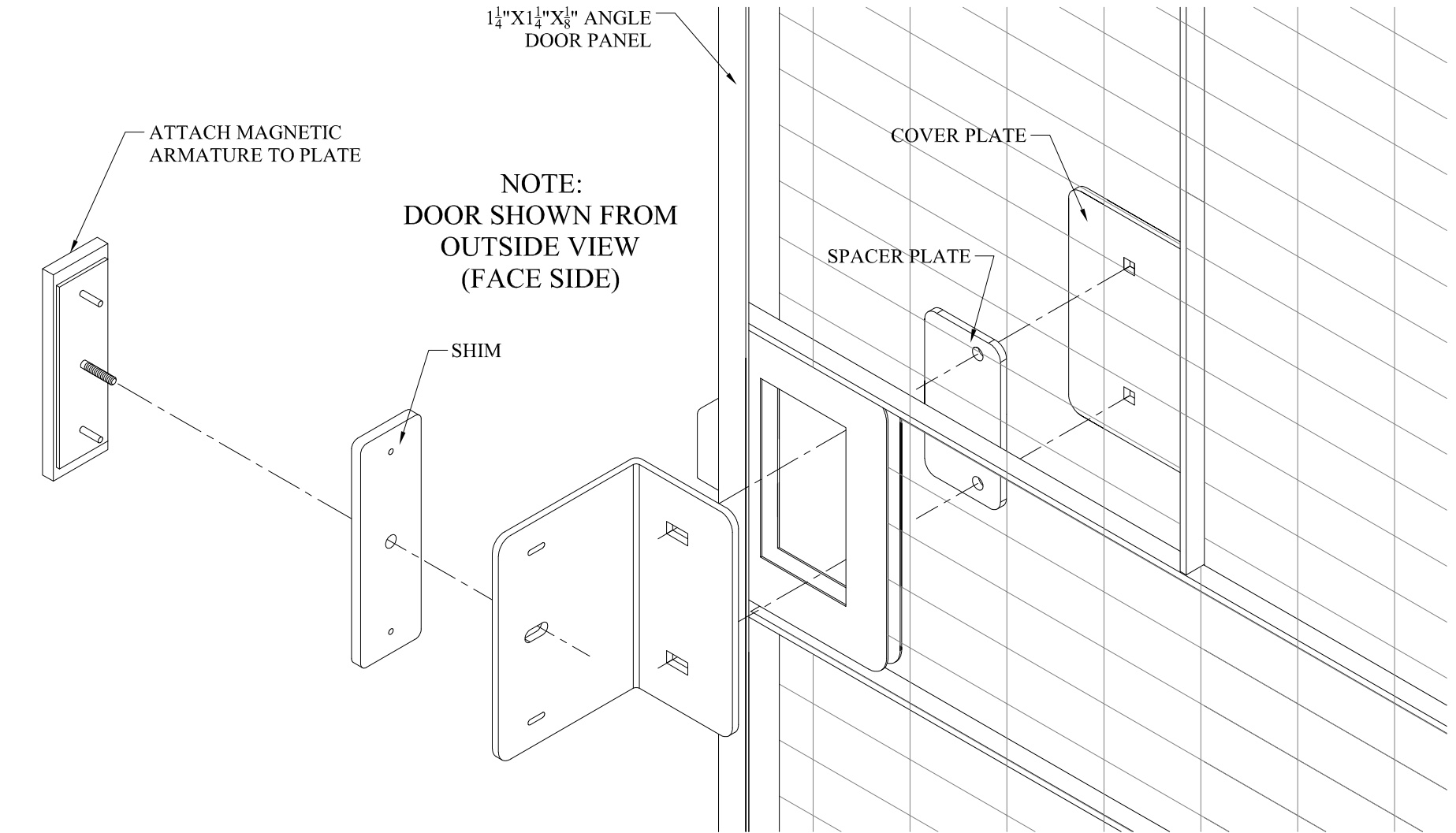
MAGNETIC LOCK DETAIL
INSIDE DOOR SHOWN



MAGNETIC LOCK
OUTSIDE DOOR SHOWN

Fig.1

DETAIL
MAGNETIC ARMATURE



MAGNETIC LOCK
INSIDE DOOR SHOWN

Fig.1

DETAIL
MAGNETIC ARMATURE

STEP 2: FIELD DRILL (4 PLACES) $\frac{5}{32}$ " \varnothing HOLES & USE #10 SELF TAPPING SCREWS AFTER PROPER ALIGNMENT IN FIELD

STEP 1: ALIGN MOUNTING PLATE WITH ARMATURE ON SLIDING DOOR. FIELD DRILL (2 PLACES) $\frac{5}{32}$ " \varnothing HOLES. ATTACH PLATE TO POST WITH #10 SELF TAPPING SCREWS

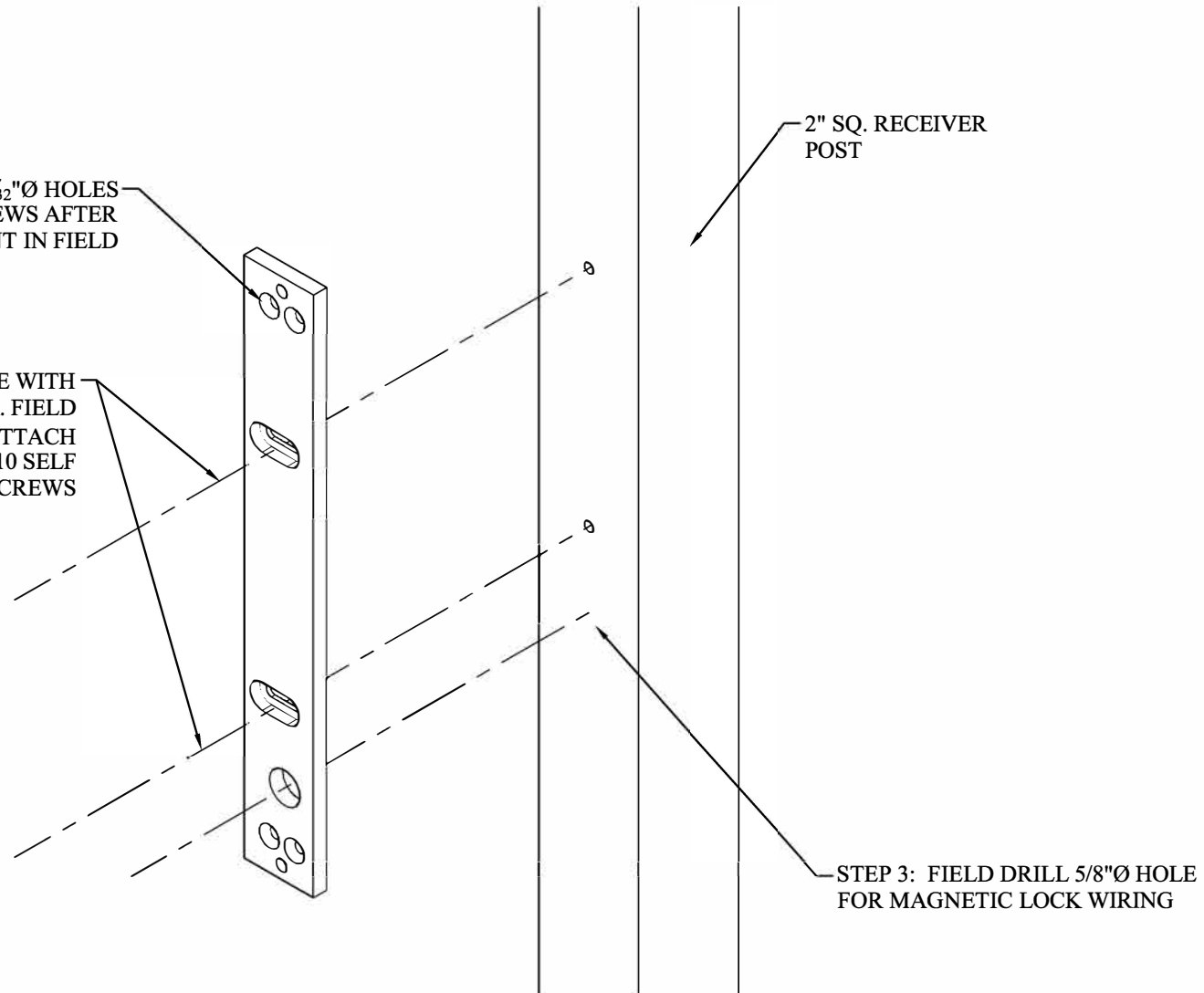


Fig.1

DETAIL
MOUNTING PLATE

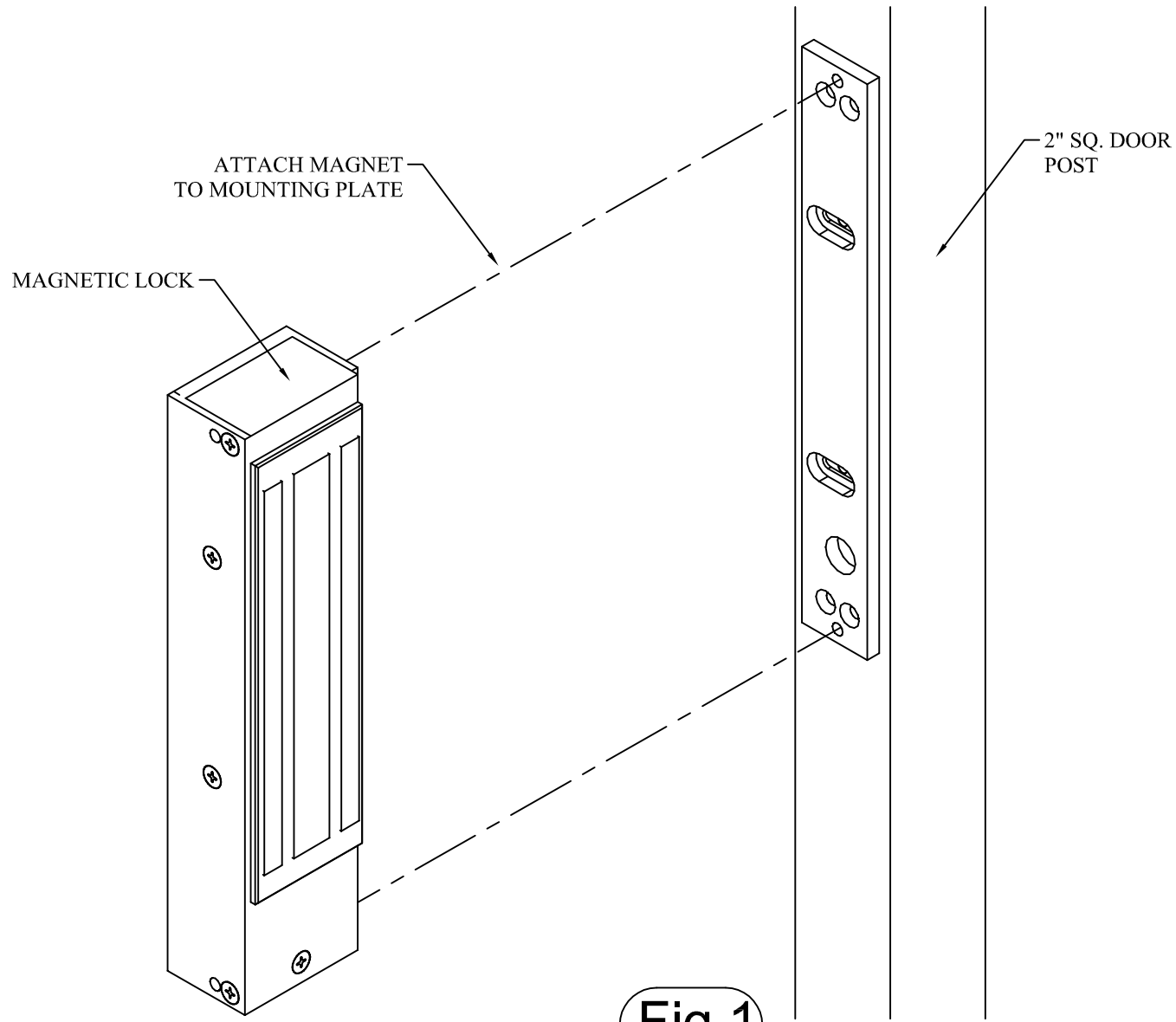


Fig.1

DETAIL
MAGNETIC LOCK

Thanks for using
WireCrafters
woven wire partitions.

Tool Cribs * Storage Lockers * Machine Guards * Mezzanine Rails * Pallet Rack Backs * Security Enclosures

WWW.WIRECRAFTERS.COM