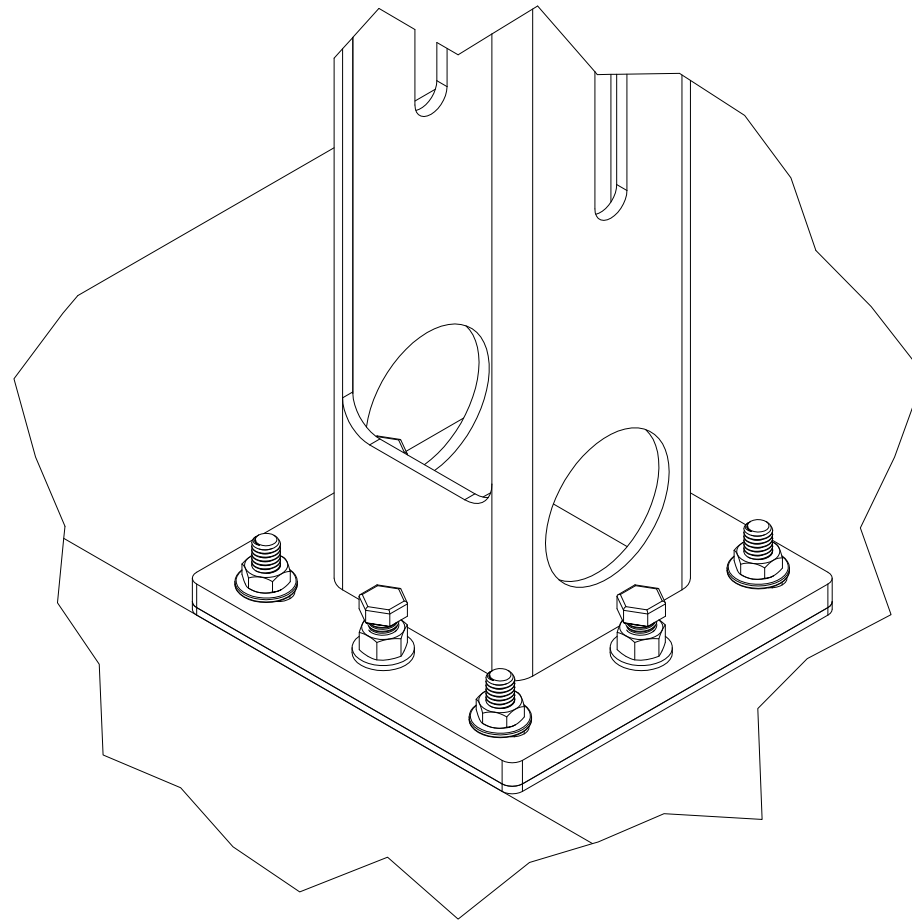


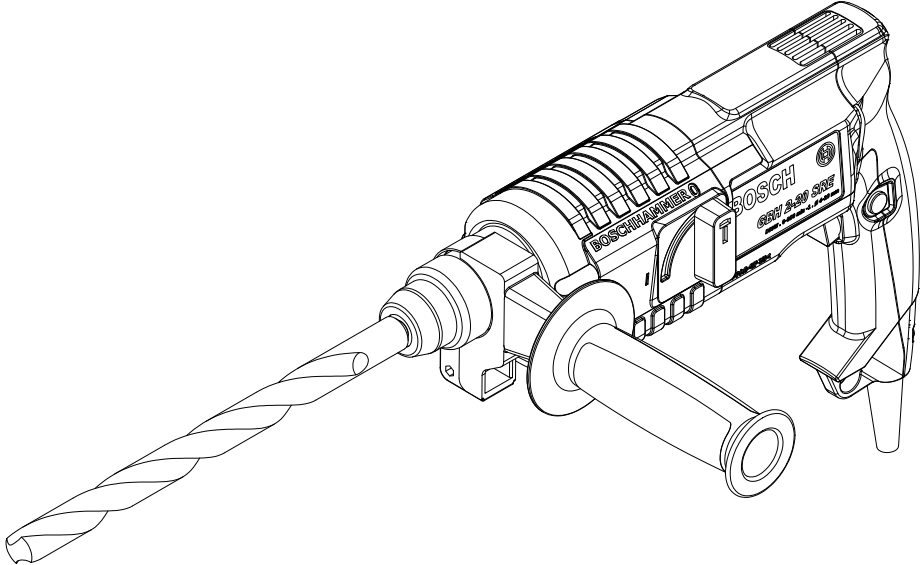
WireCrafters

Light Curtain Enclosure (LCE) Base Installation Instructions



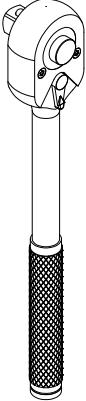
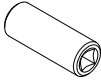
INCLUDED IN THIS MANUAL

Recommended Tools	2
LCE Base Fasteners	3
LCE Base Installation Instructions	4
LCE Base Installation Instructions (cont.)	5
Thank You	6

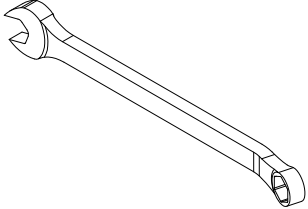


Hammer Drill with 3/8"
Concrete Drill Bit

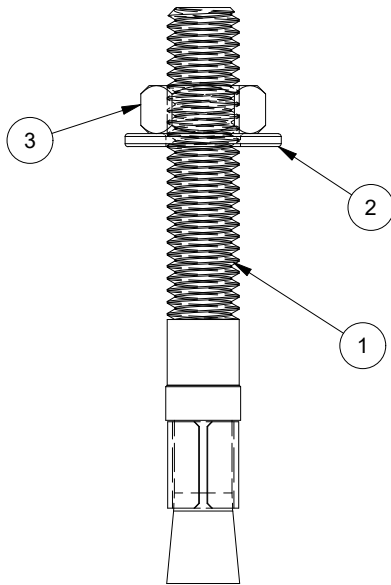
9/16" Socket



Ratchet

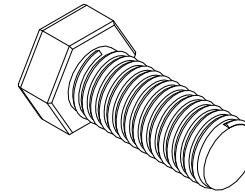


9/16" Open End or
Combination Wrench

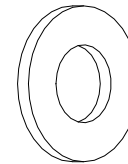


FS38STA (4)

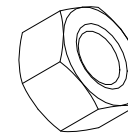
1. (1) 3/8"-16 X 3" WEDGE ANCHOR
2. (1) FS38FW 3/8" FLAT WASHER
3. (1) FS38N 3/8" - 16 HEX NUT



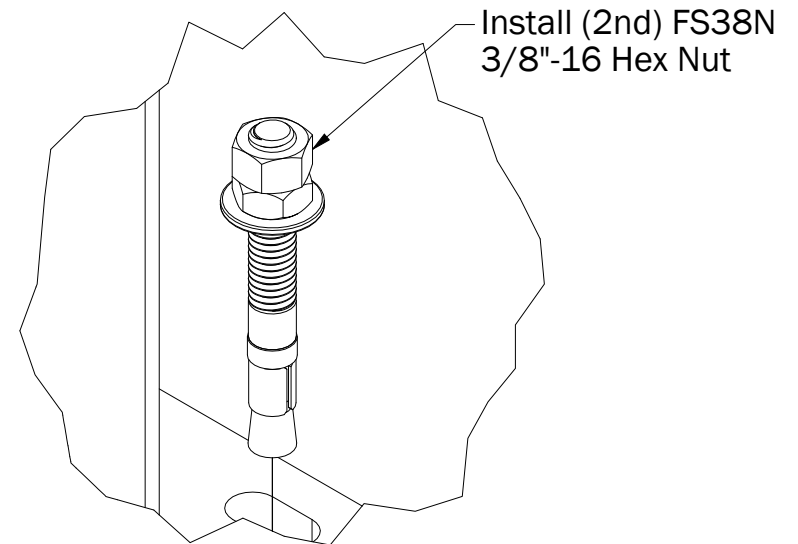
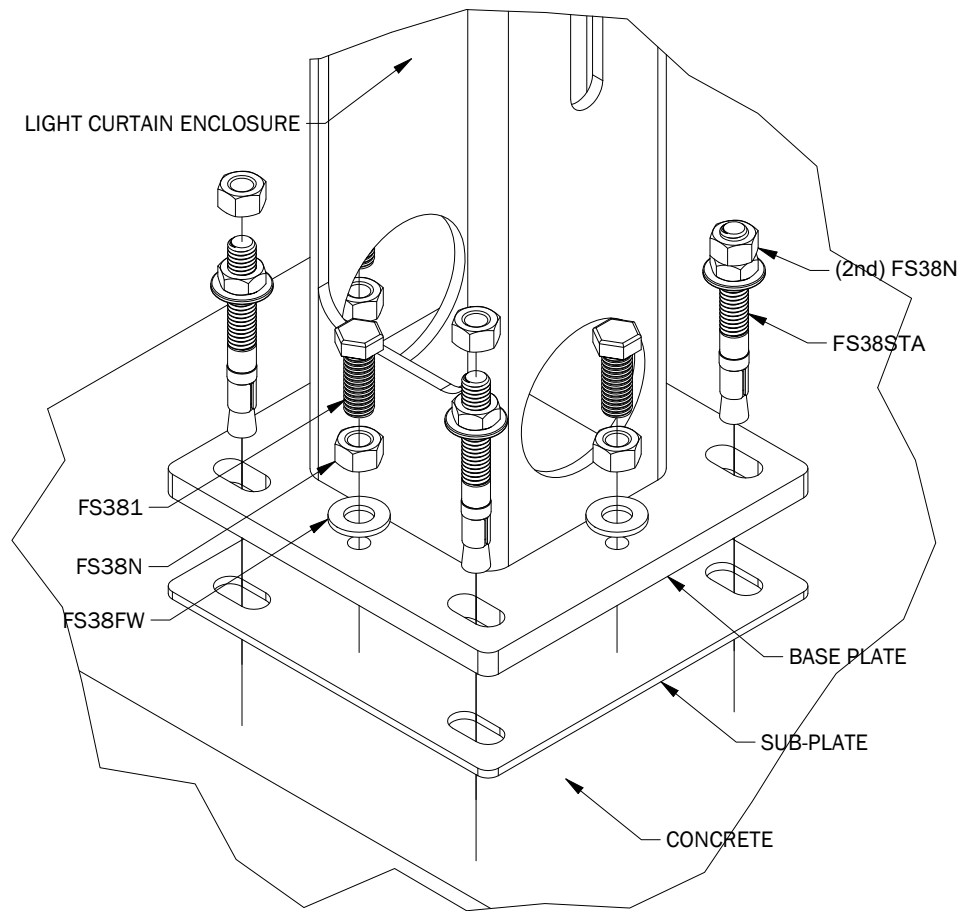
FS381 (4)
3/8" x 1" Hex Head Cap Screw



FS38FW (4)
3/8" Flat Washer

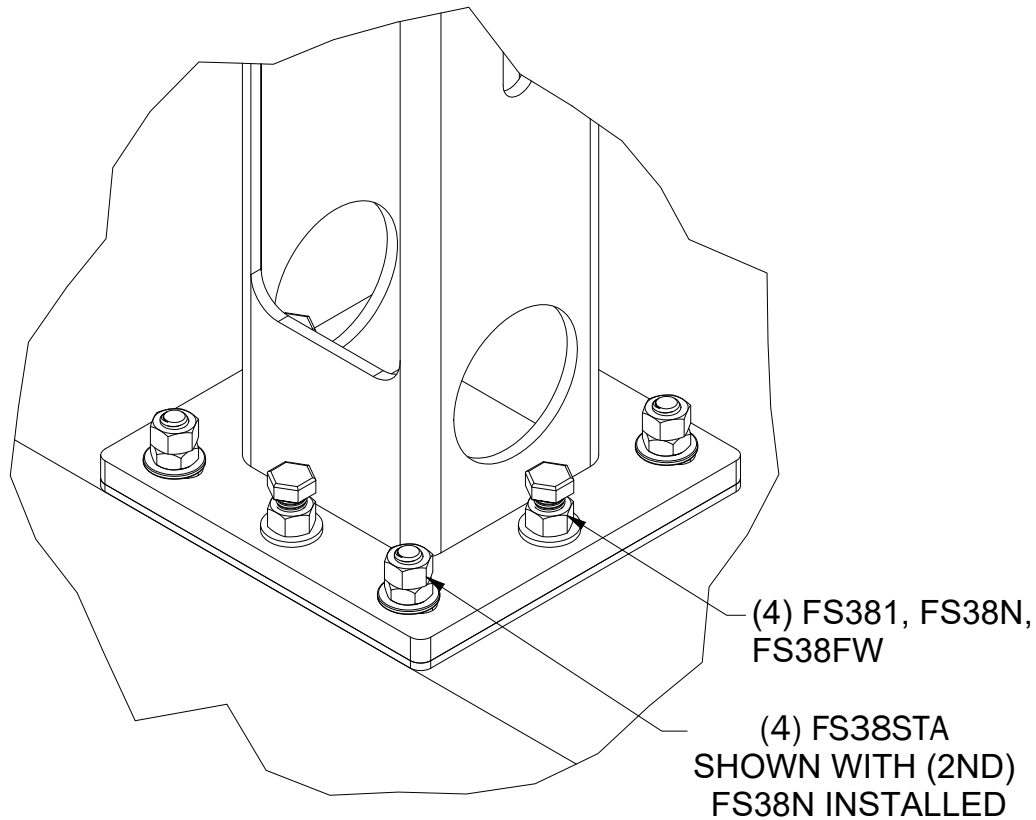


FS38N (8)
3/8"-16 Hex Nut

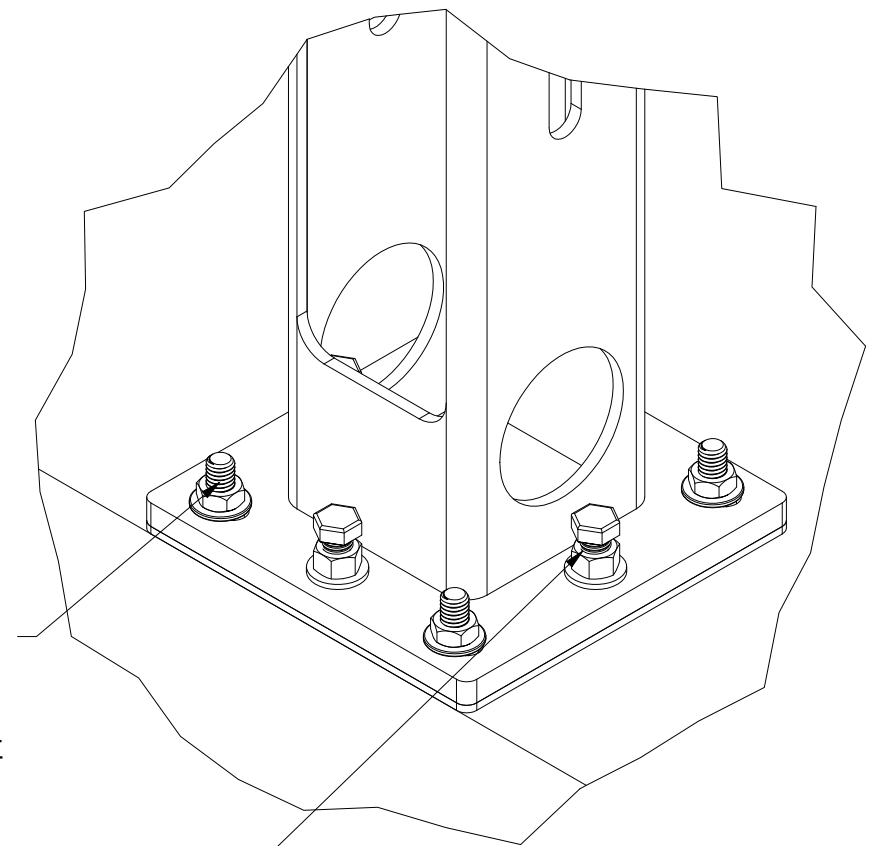


!!! IMPORTANT !!!

Install FS38STA 3/8" Wedge Anchors with a (2nd) FS38N 3/8"-16 Hex Nut through the Baseplate and the Subplate into the concrete.



Removal of the (2nd) FS38N 3/8"-16 Hex Nut from each (4) FS38STA allows for the use of the (4) FS381 3/8"-16 Hex Head Bolts for adjustment of the rotational X and Z axis after loosening of the remaining FS38N 3/8"-16 Hex Nut at each (4) FS38STA location .



Thanks for using

WireCrafters

Machine Guarding

For more information on WireCrafters products please visit our website at www.machineguarding.com