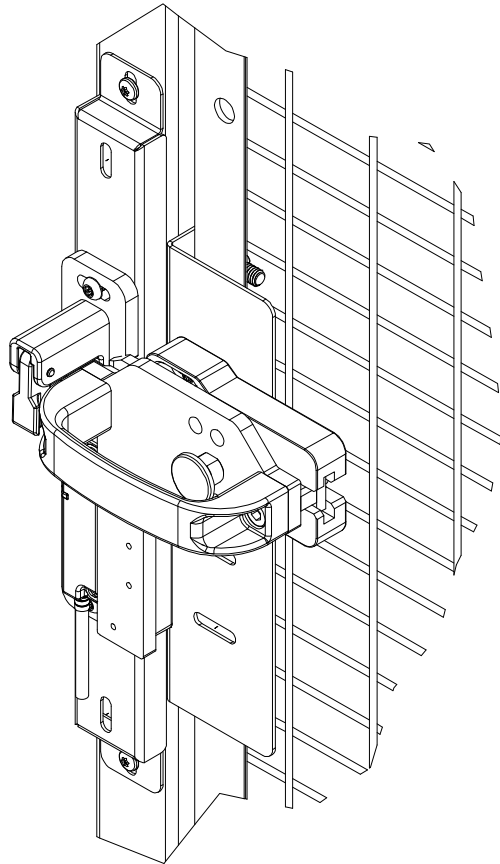
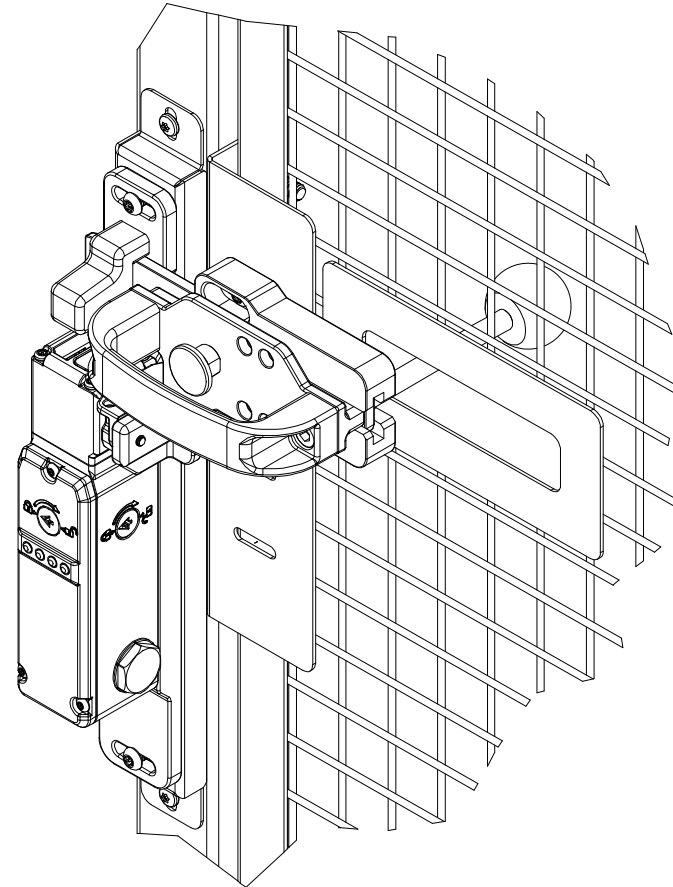


WireCrafters

IDEM Interlock Installation Instructions



IDEM GBN3



IDEM GBZ

INCLUDED IN THIS MANUAL

<u>Description</u>	<u>Page</u>
Introduction.....	2
IDEM Interlock Parts.....	3
Hardware Pack.....	4
Right Hand Hinged Door IDEM GBZ/KLM Assembly.....	5
Right Hand Hinged Door GBZ Install.....	6
Right Hand Hinged Door IDEM GBN3 Assembly.....	7
Right Hand Hinged Door IDEM GBN3 Installation.....	8
Right Hand Slide Door IDEM GBZ/KLM Assembly.....	9
Right Hand Slide Door GBZ Installation.....	10

We're Here To Help
1-800-626-1816

Read entire installation instruction before beginning.

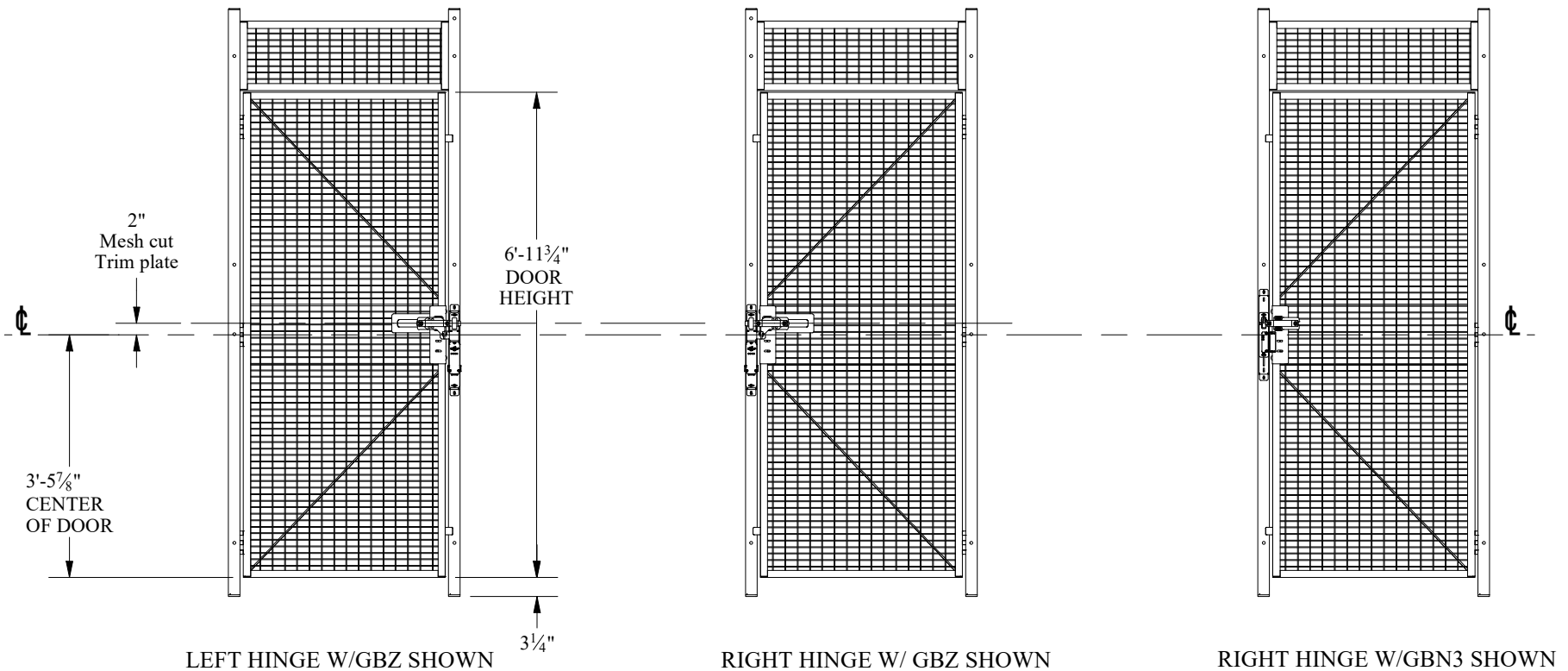
This manual covers installation instructions for IDEM interlocks GBN3 and GBZ w/KLM-Z to **WireCrafters** products: 840 and RapidGuard II, hinge, and slide Doors.

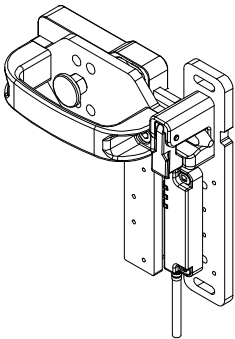
Use the **WireCrafters** product line installation instructions for door installation. (See below for proper door orientation not found in product installation instructions)

You must use IDEM Safety instructions included in the interlock package for assembly, installation, usage and setup details. (www.idemsafety.com)

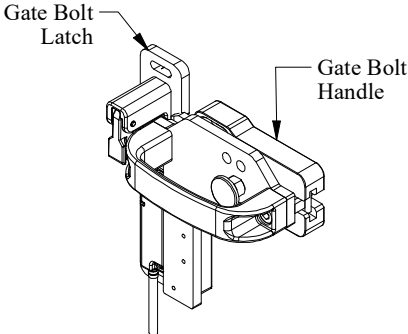
Tools Recommended:

Drill with adjustable clutch, $\frac{1}{8}$ " drill bit, $\frac{3}{8}$ " nut driver, combination square or straight edge, 4mm hex wrench, $\frac{7}{16}$ " & $\frac{1}{2}$ " wrench and clamps. (Note: Security bits are included with the hardware pack)

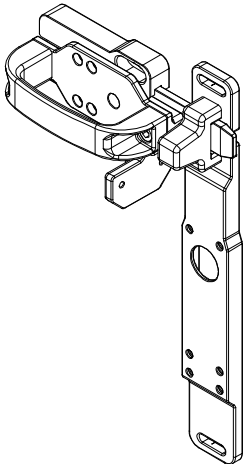




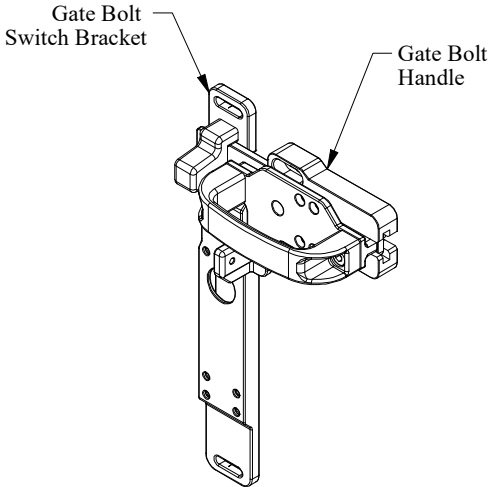
IDEM GB-N3 Gate Bolt LH
Part# ILIDGBN3LPZLH



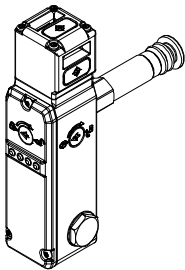
IDEM GB-N3 Gate Bolt RH
Part# ILIDGBN3LPZRH



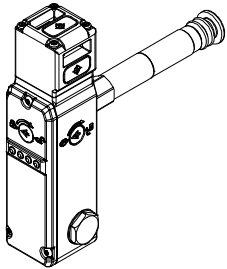
IDEM GBZ Gate Bolt LH
Part# ILIDGBZBKTLH



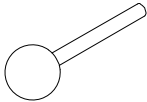
IDEM GBZ Gate Bolt RH
Part# ILIDGBZBKTRH



IDEM KLM-Z RR
Switch Kit Hinge Door
Part# ILIDKLMZRR



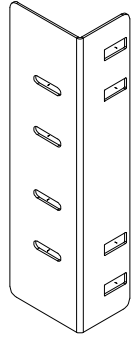
IDEM KLM-Z RR 140MM
Switch Kit Slide Door
Part# ILIDKLMZRR140



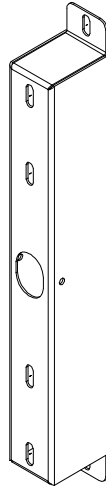
IDEM GBZ Handle
Part# ILIDGBZRRHNDL



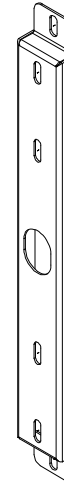
IDEM GBZ Catch
Part# ILIDGBZSPRLC



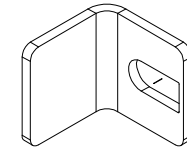
Door Handle Bracket
Quantity (1)
Part# ILIDGBHNDLBKT



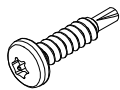
Slide Door
Post Mounting Bracket
Quantity (1)
Part# ILIDSDGBBKT



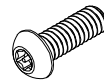
Hinge Door
Post Mounting Bracket
Quantity (1)
Part# ILIDHDGBBKT



Slam bar
Quantity (2)
Part# HDSLBRBLTON
* 840 Style hinge door only



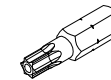
12 Self Drill/Tap Screw
Quantity (2)
Part# FS121RHTRSDSS



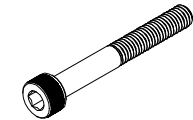
1/4 X 3/4 Security Screw
Quantity (2)
Part# FS1434BHTRTSSS



1/4 Locknut
Quantity (4)
Part# SUD14LN



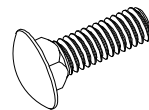
Torx Security Bit T27
Quantity (1)
Part# FSTXBITT27



5MM X 40MM Socket Head
Quantity (4)
Part# FS5M40MSHCS
*For GBZ W/KLM only



5MM X 16MM Security Screw
Quantity (2)
Part# FS5M16MBHTS
*For GBZ W/KLM only



5/16 X 1 Carriage Bolt
Part# FS5161CB
(840 Style hinged door Quantity 4)
(RapidGuard hinged door Quantity 2)



5/16 Flange Nut
Part# FS516FN
(840 Style hinged door Quantity 4)
(RapidGuard hinged door Quantity 2)

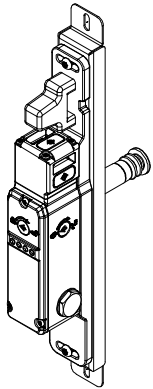


Torx Key T25
Quantity (1)
Part# FSTXKEY
*For GBZ W/KLM

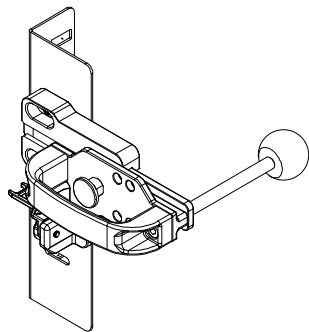


Slide Door Bumper
Quantity (1)
Part# FS12516062RBRBMPR
*For GBZ W/KLM Slide door only

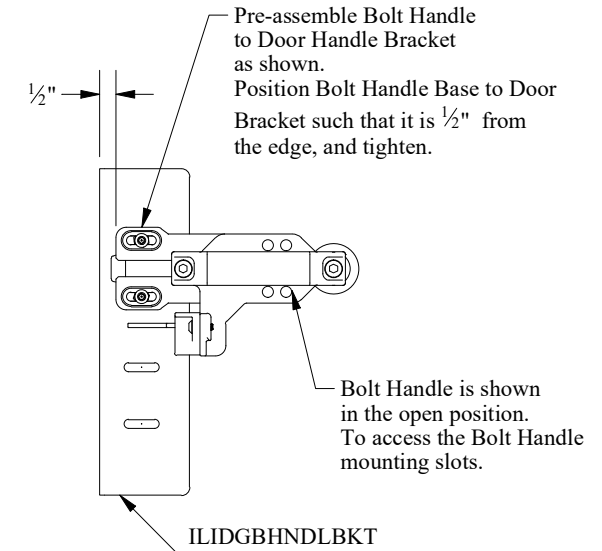
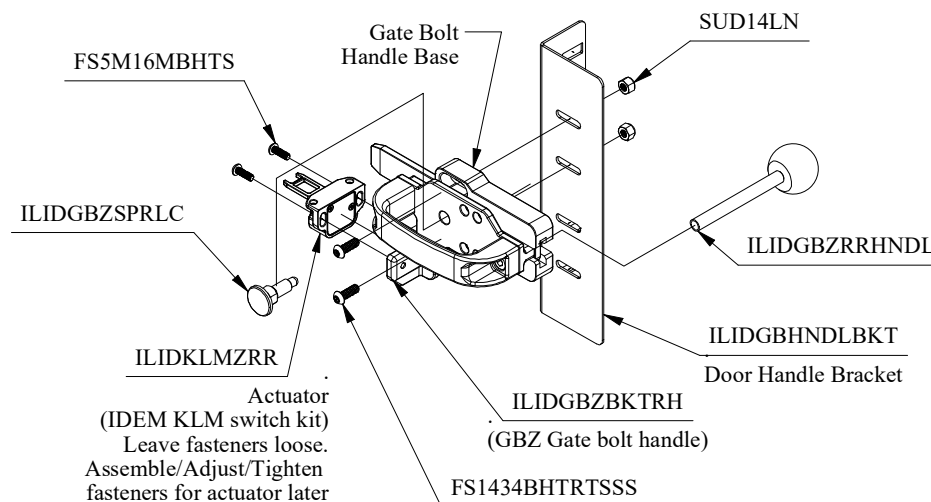
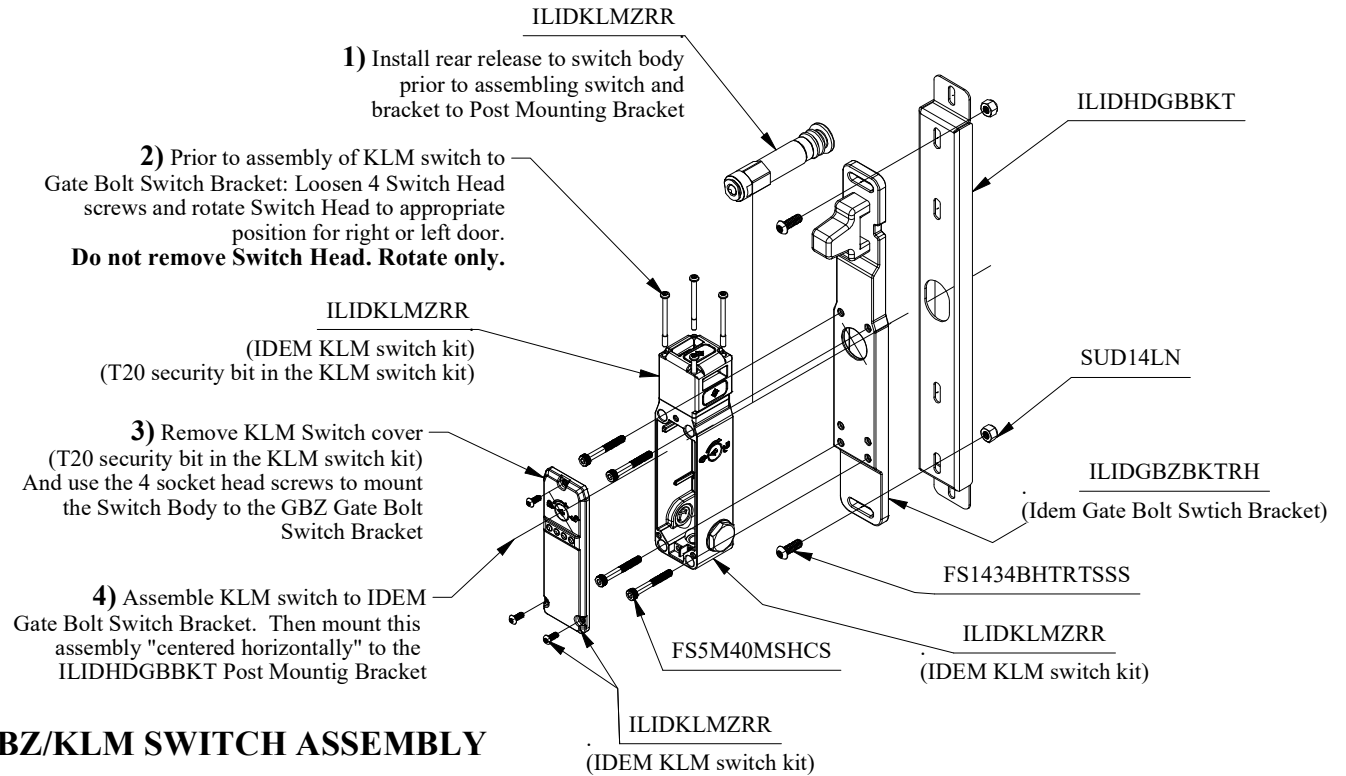
Create the 2 sub assemblies as shown. Instructions are shown for a right hand hinged door. Assemble opposite for left hand hinge door.



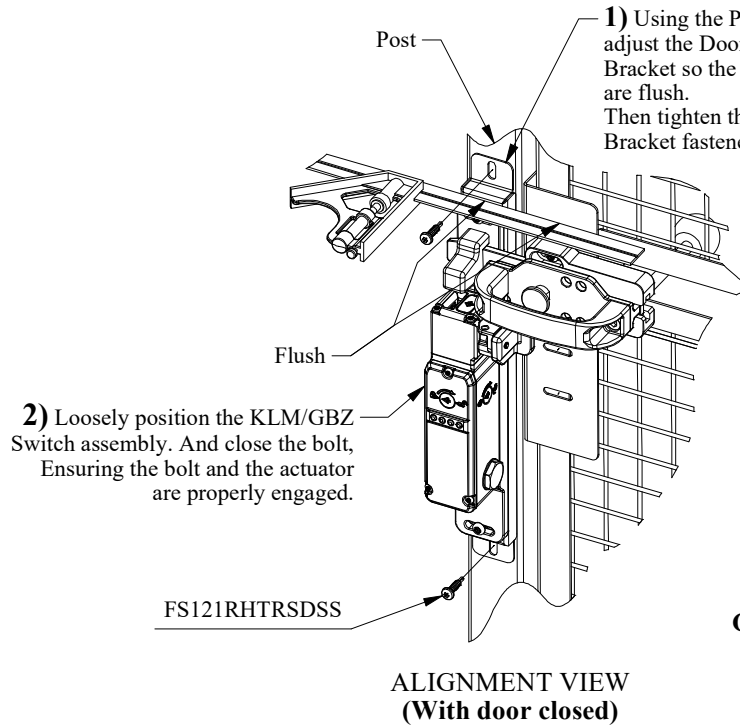
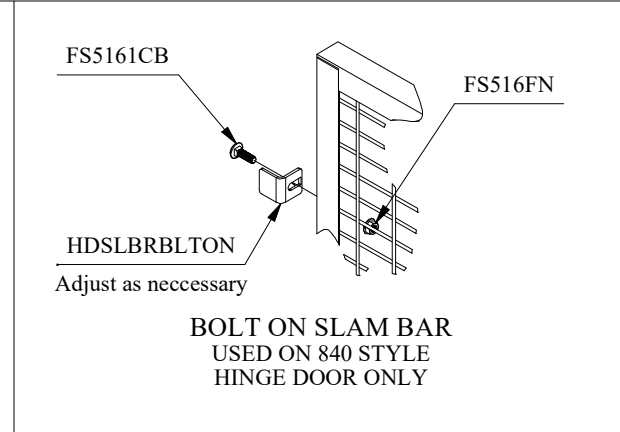
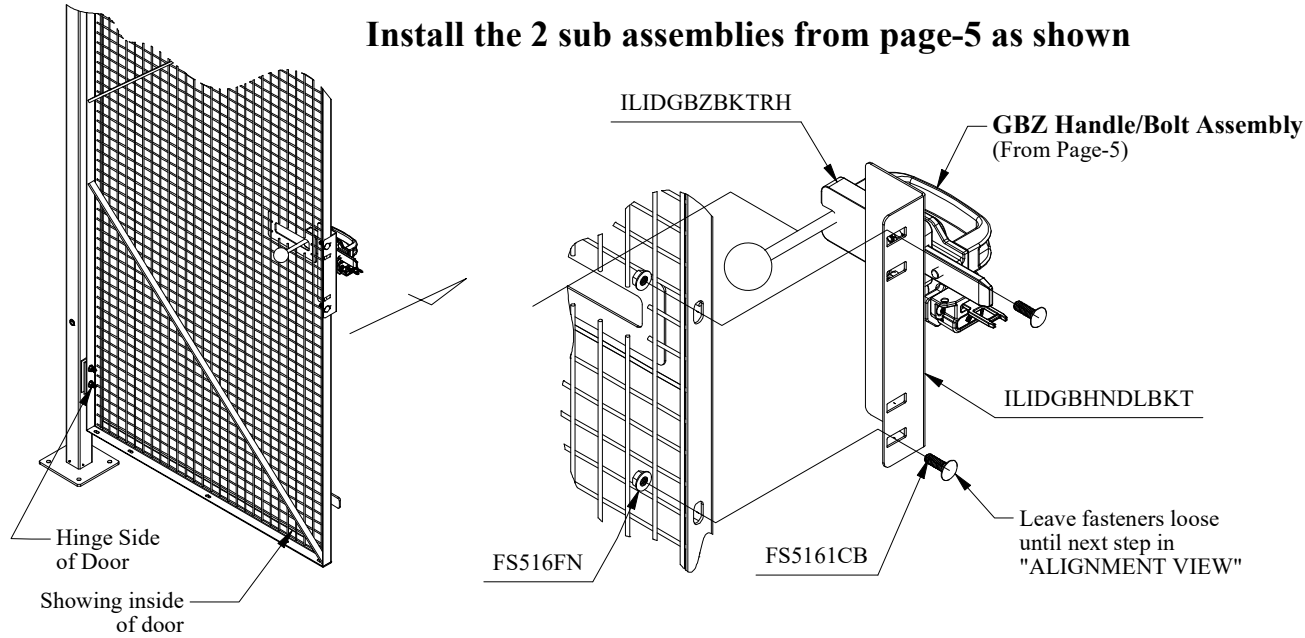
**KLM Switch Kit
GBZ Switch Bracket
&
Post Mounting Bracket
Assembly**



**Door Handle
&
Gate Bolt Handle
Assembly**



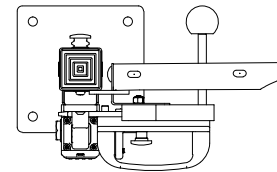
Install the 2 sub assemblies from page-5 as shown



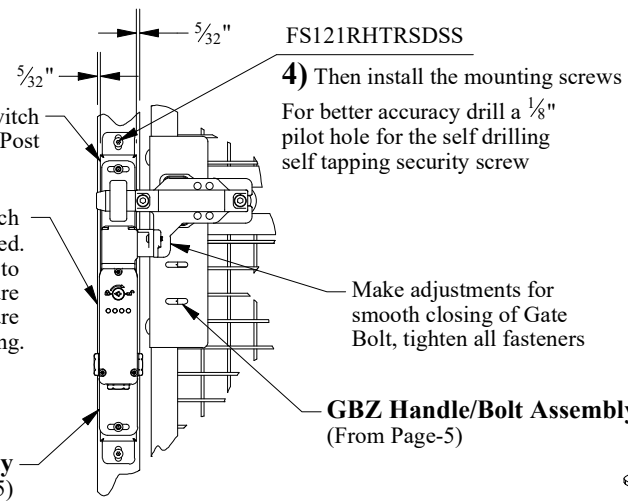
1) Using the Post Mounting Bracket, adjust the Door Handle Mounting Bracket so the front faces of both are flush. Then tighten the Door Handle Bracket fasteners.

2) Loosely position the KLM/GBZ Switch assembly. And close the bolt, Ensuring the bolt and the actuator are properly engaged.

3) Position KLM/GBZ Switch as shown/dimensioned. Clamp in place. Slide the bolt to engage and disengage to ensure the bolt and actuator are properly engaging.

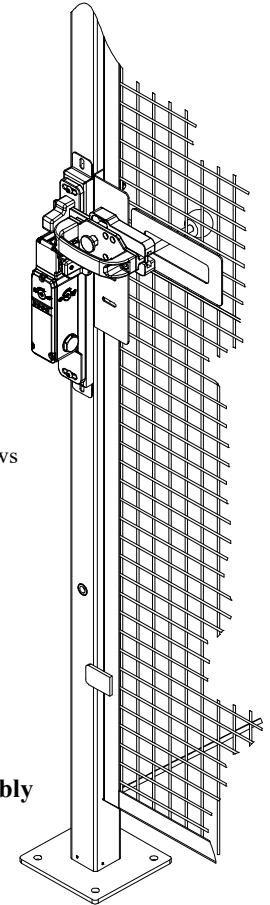


GBZ/KLM Switch Assembly (From page-5)

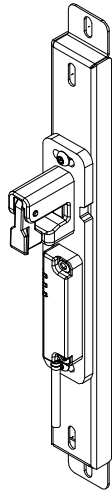


4) Then install the mounting screws. For better accuracy drill a 1/8" pilot hole for the self drilling self tapping security screw

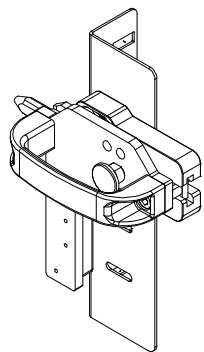
Make adjustments for smooth closing of Gate Bolt, tighten all fasteners



Create the 2 sub assemblies as shown.
Instructions are shown for a right hand hinged door. Assemble opposite for left hand hinge door.



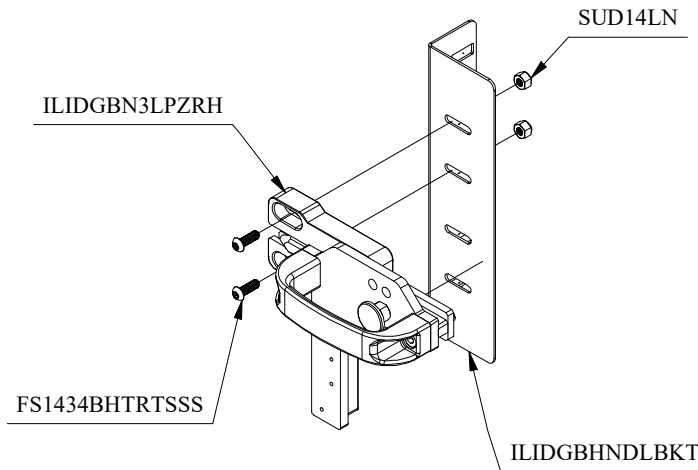
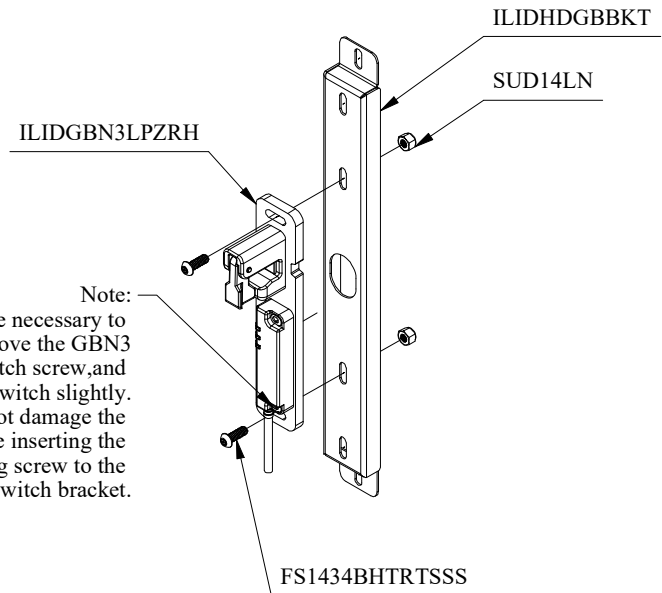
**GBN3 Latch
&
Post Mounting Bracket
Assembly**



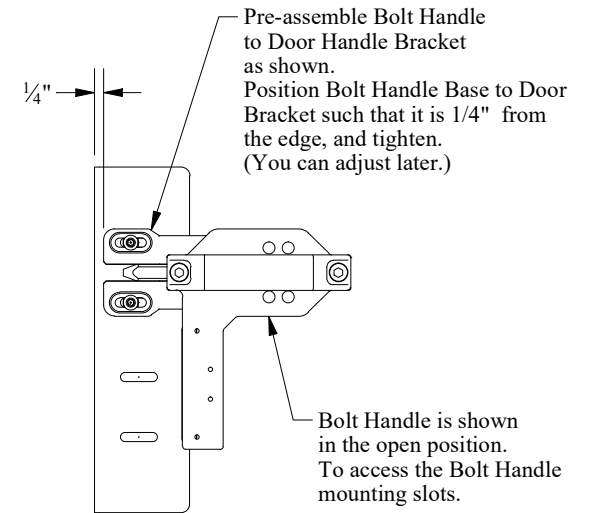
**GBN3 Switch
Handle Bracket
Assembly**

GBN3 SWITCH ASSEMBLY

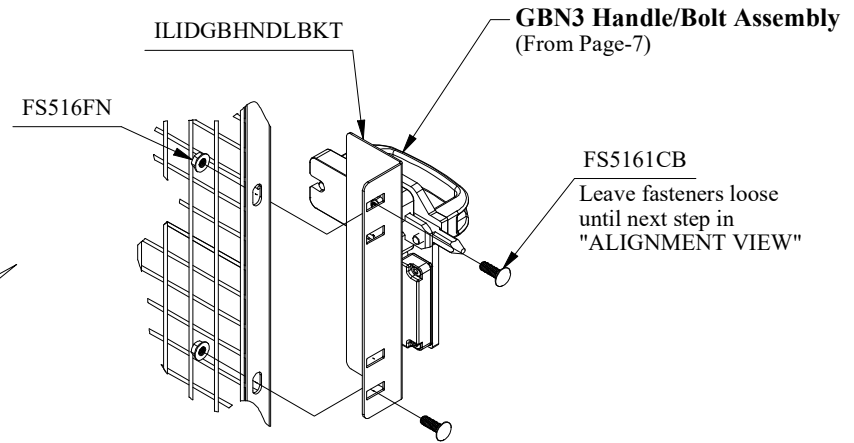
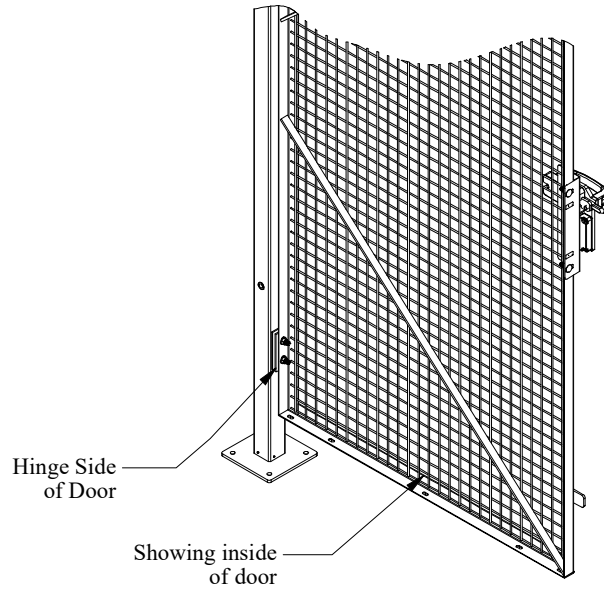
Note:
It may be necessary to remove the GBN3 switch screw, and rotate the switch slightly. In order to not damage the cable, while inserting the mounting screw to the switch bracket.



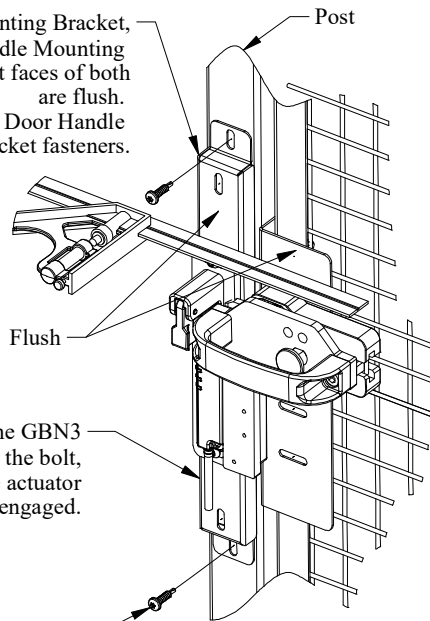
GBN3 HANDLE/BOLT ASSEMBLY



Install the 2 sub assemblies from page-7 as shown



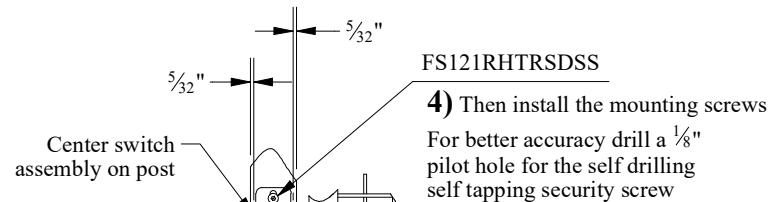
- Using the Post Mounting Bracket, adjust the Door Handle Mounting Bracket so the front faces of both are flush. Then tighten the Door Handle Bracket fasteners.



- Loosely position the GBN3 Switch assembly. And close the bolt, Ensuring the bolt and the actuator are properly engaged.

FS121RHTRSDDS

ALIGNMENT VIEW
(With door closed)



- Position GBN3 Switch as shown/dimensioned. Clamp in place. Slide the bolt to engage and disengage to ensure the bolt and actuator are properly engaging.

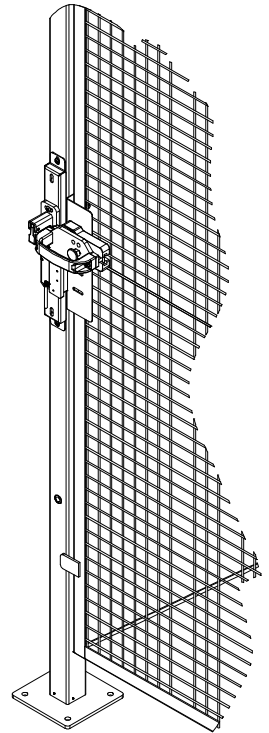
GBN3 Handle/Bolt Assembly (From page-7)

FRONT VIEW

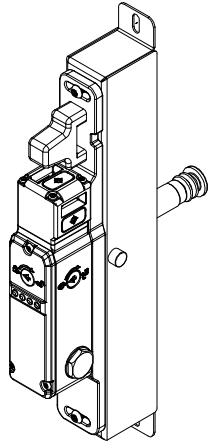
- Then install the mounting screws. For better accuracy drill a 1/8" pilot hole for the self drilling self tapping security screw

Make adjustments for smooth closing of Gate Bolt, tighten all fasteners

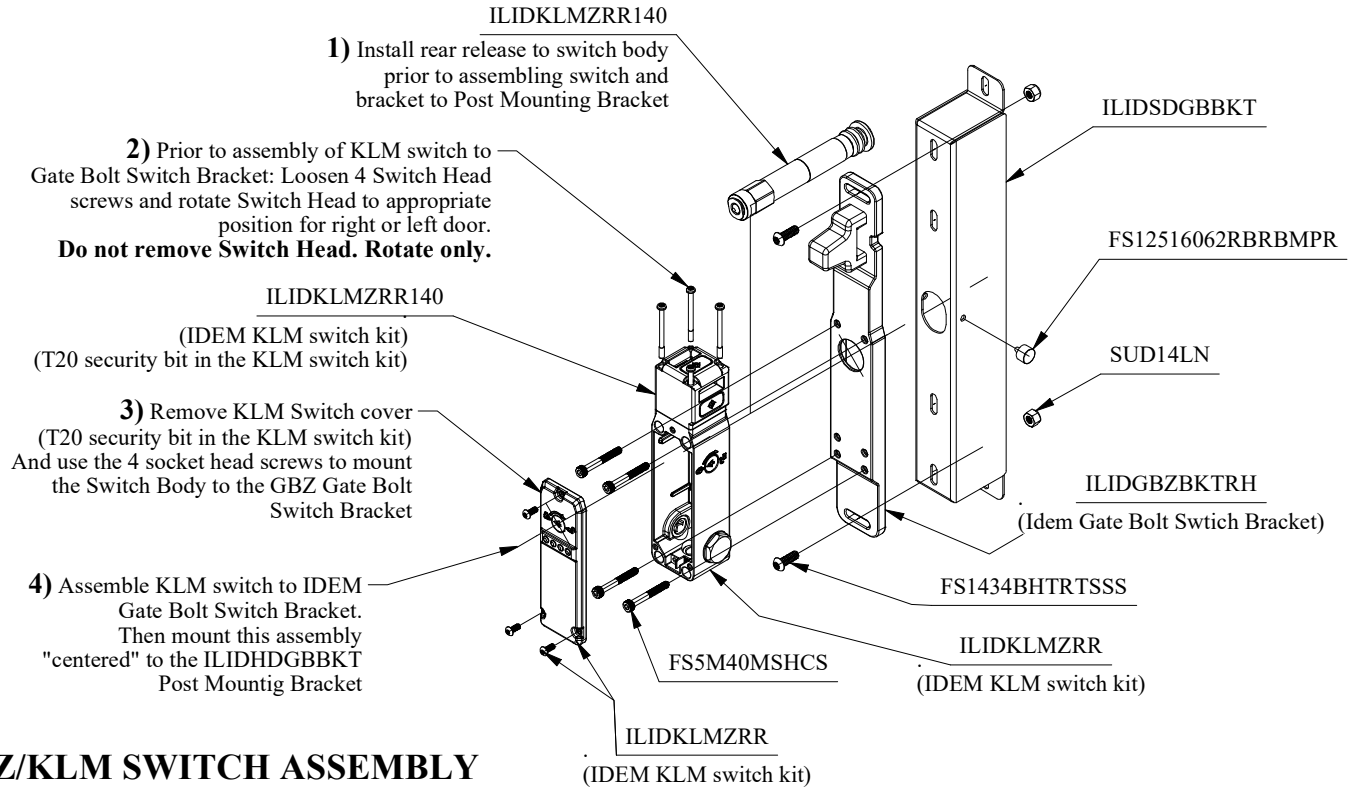
GBN3 Handle/Bolt Assembly (From Page-7)



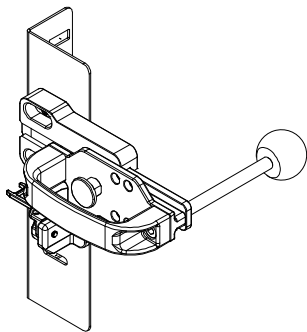
Create the 2 sub assemblies as shown. Instructions are shown for a right hand hinged door. Assemble opposite for left hand hinge door.



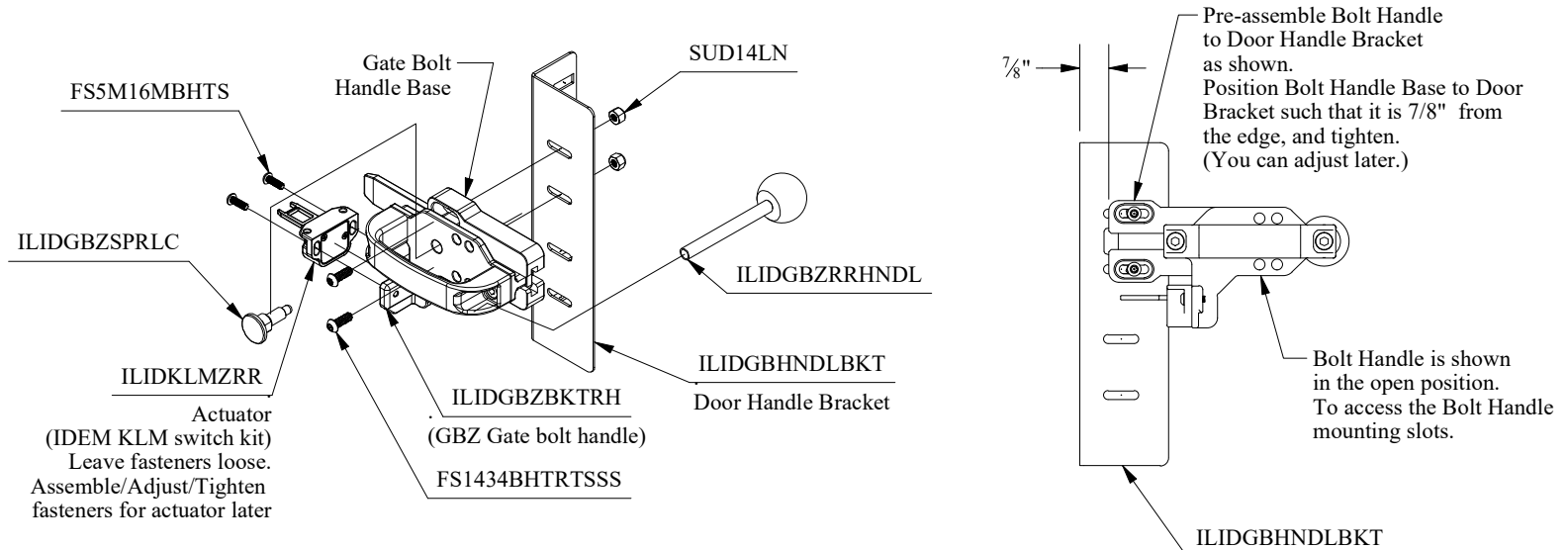
**KLM Switch Kit
GBZ Switch Bracket
&
Post Mounting Bracket
Assembly**



GBZ/KLM SWITCH ASSEMBLY

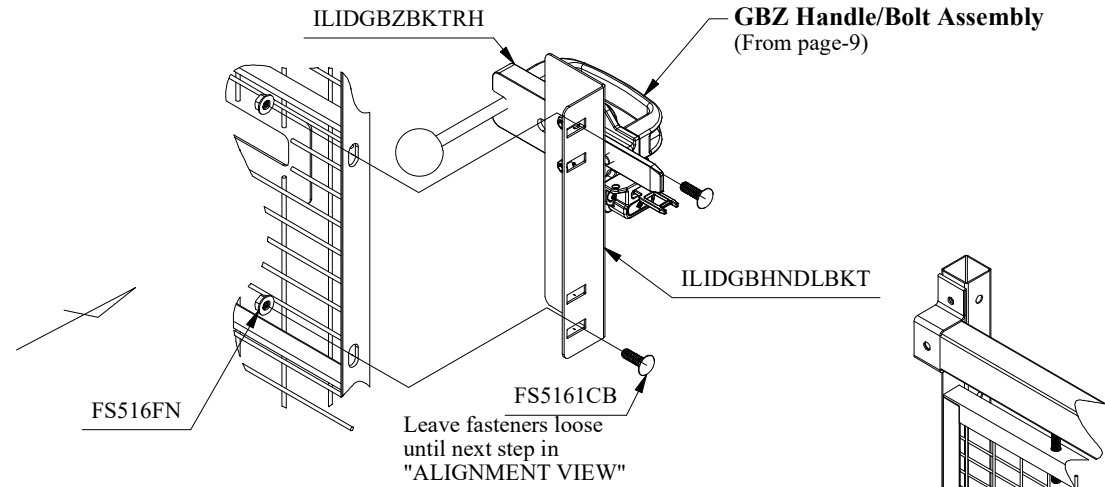
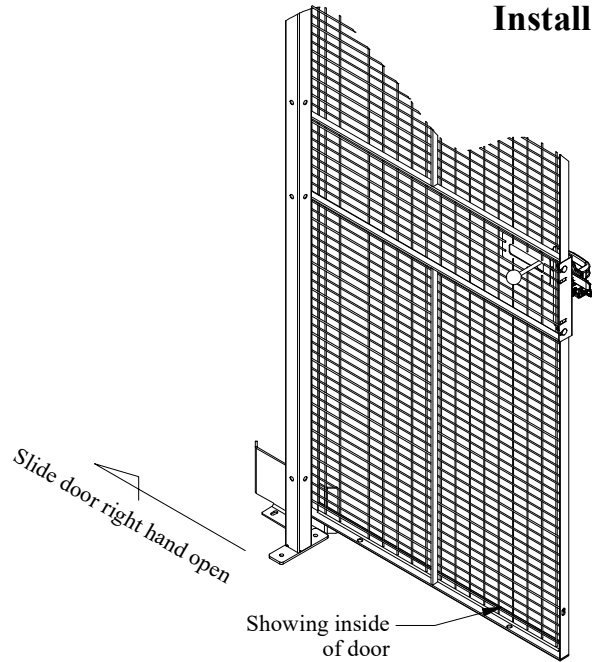


**Door Handle
&
Gate Bolt Handle
Assembly**

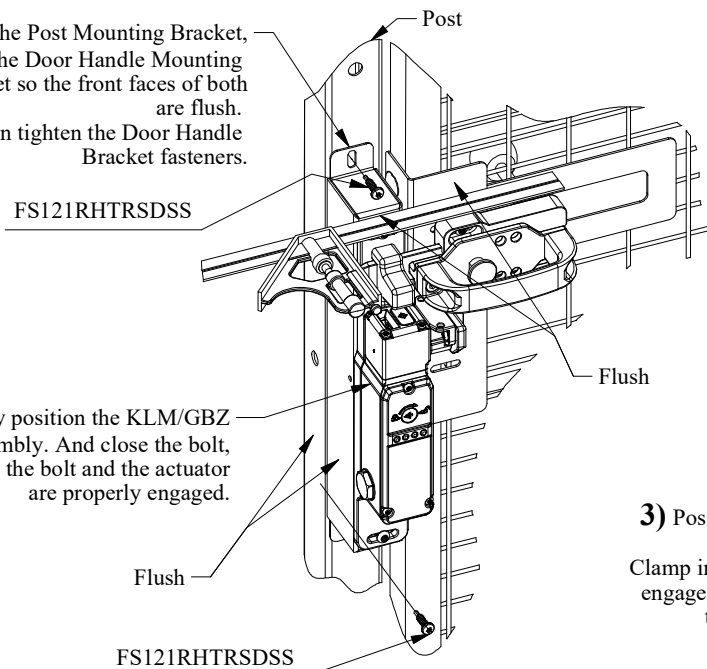


GBZ HANDLE/BOLT ASSEMBLY

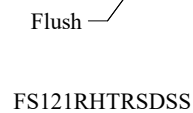
Install the 2 sub assemblies from page-9 as shown



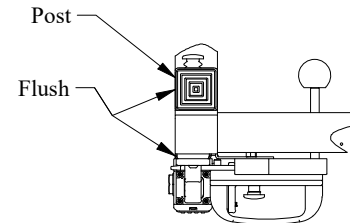
- 1) Using the Post Mounting Bracket, adjust the Door Handle Mounting Bracket so the front faces of both are flush. Then tighten the Door Handle Bracket fasteners.



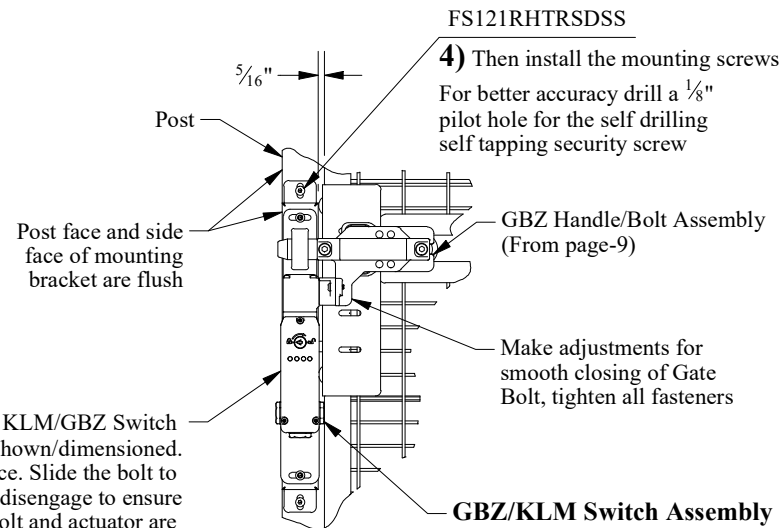
- 2) Loosely position the KLM/GBZ Switch assembly. And close the bolt, Ensuring the bolt and the actuator are properly engaged.



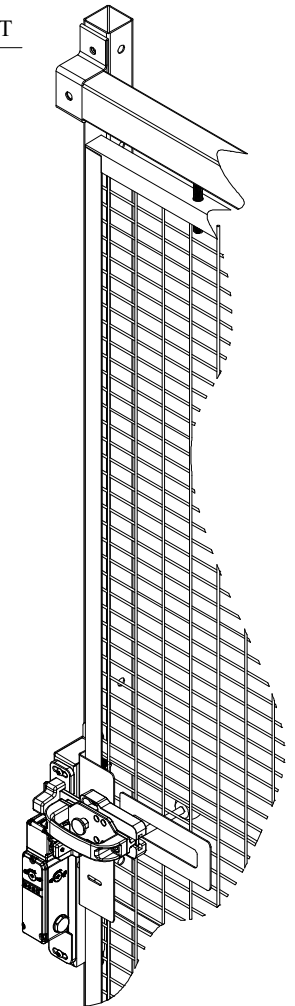
ALIGNMENT VIEW



- 3) Position KLM/GBZ Switch as shown/dimensioned. Clamp in place. Slide the bolt to engage and disengage to ensure the bolt and actuator are properly engaging.



FRONT FACE



Thanks for using

WireCrafters

Machine Guarding

For more information on WireCrafters products please visit our website at www.machineguarding.com