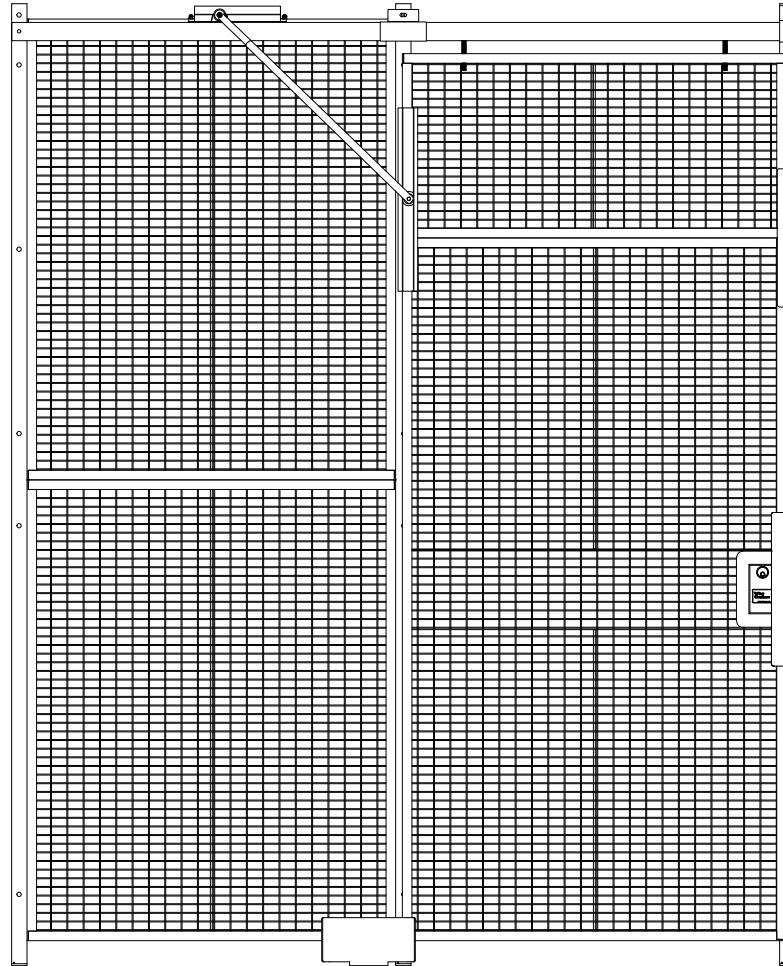


WireCrafters

Self Closing Hydraulic Slide Door Closer Installation Instructions

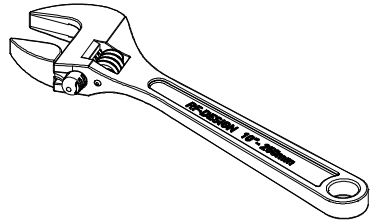


INCLUDED IN THIS MANUAL

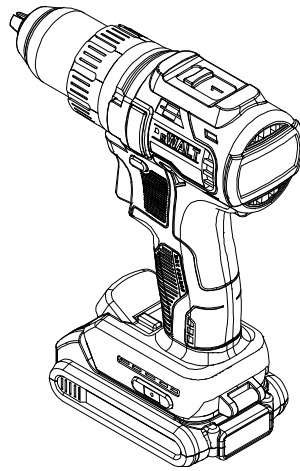
<u>Description</u>	<u>Page</u>
Recommended Tools	2
Self-Closing Slide Door Hardware	3
Hydraulic Closer Installation	4
Hydraulic Closer Installation (cont.)	5
Hydraulic Closer Adjustment	6
Thank You	7

WireCrafters

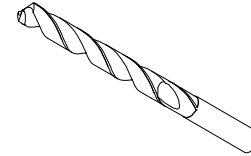
Recommended Tools



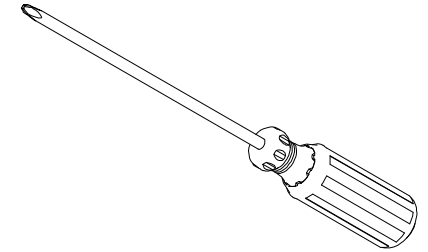
Adjustable Wrench



Cordless Drill



Drill Bit(s)
5/16" Drill Bit
3/8" Drill Bit



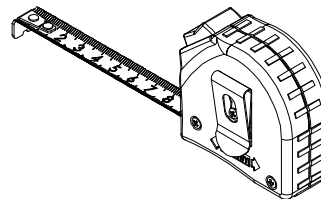
Phillips Screw Driver



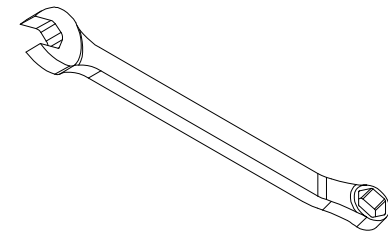
Socket(s)
9/16" Socket
7/16" Socket



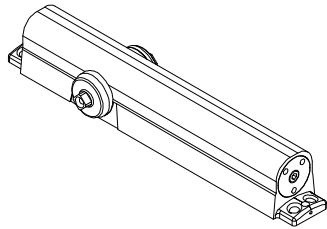
Ratchet



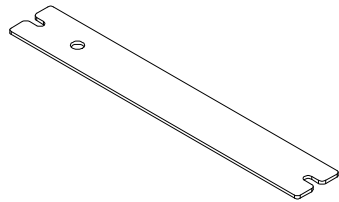
Tape Measure



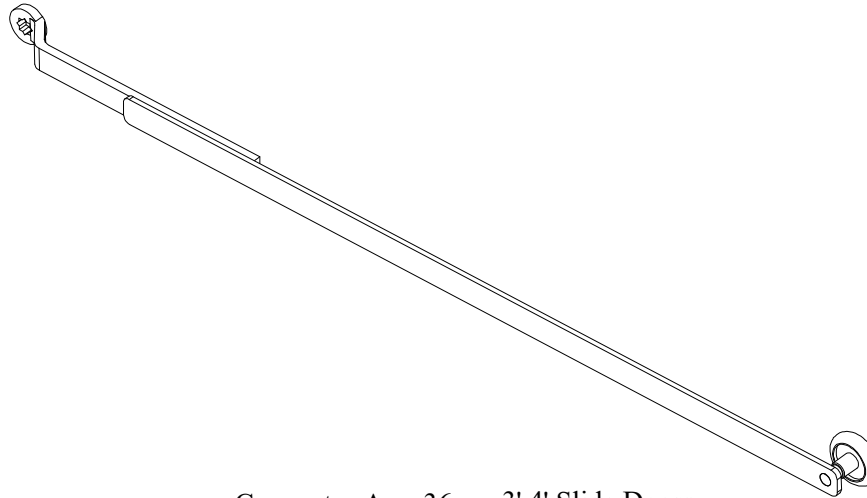
9/16" Wrench



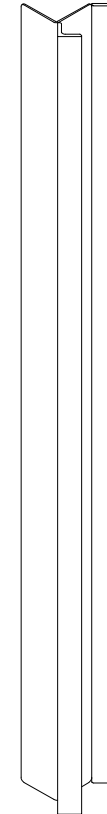
Hydraulic Door Closer
Quantity: 1



SCSDCLOSERSHM
Hydraulic Door Closer Shim
Quantity: 1



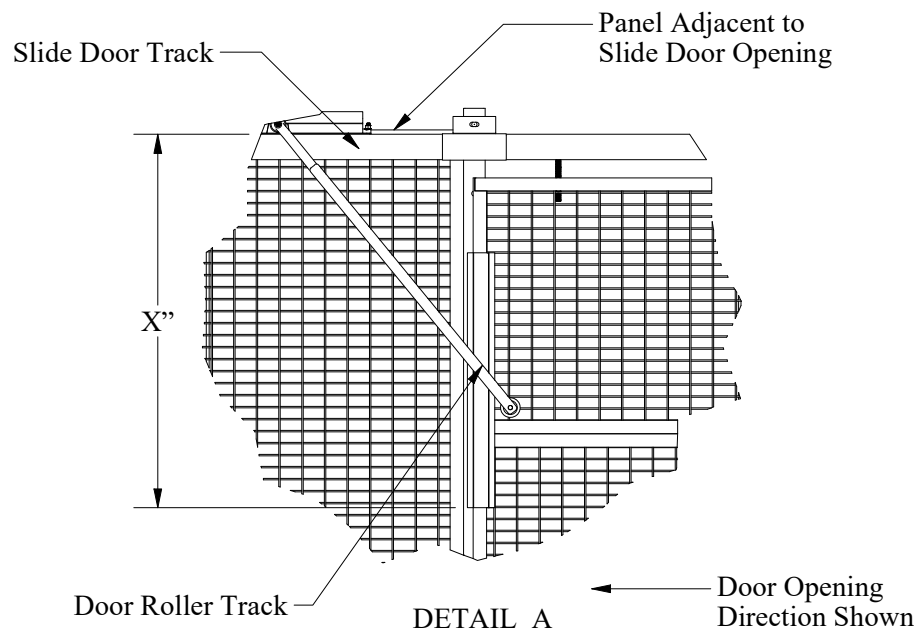
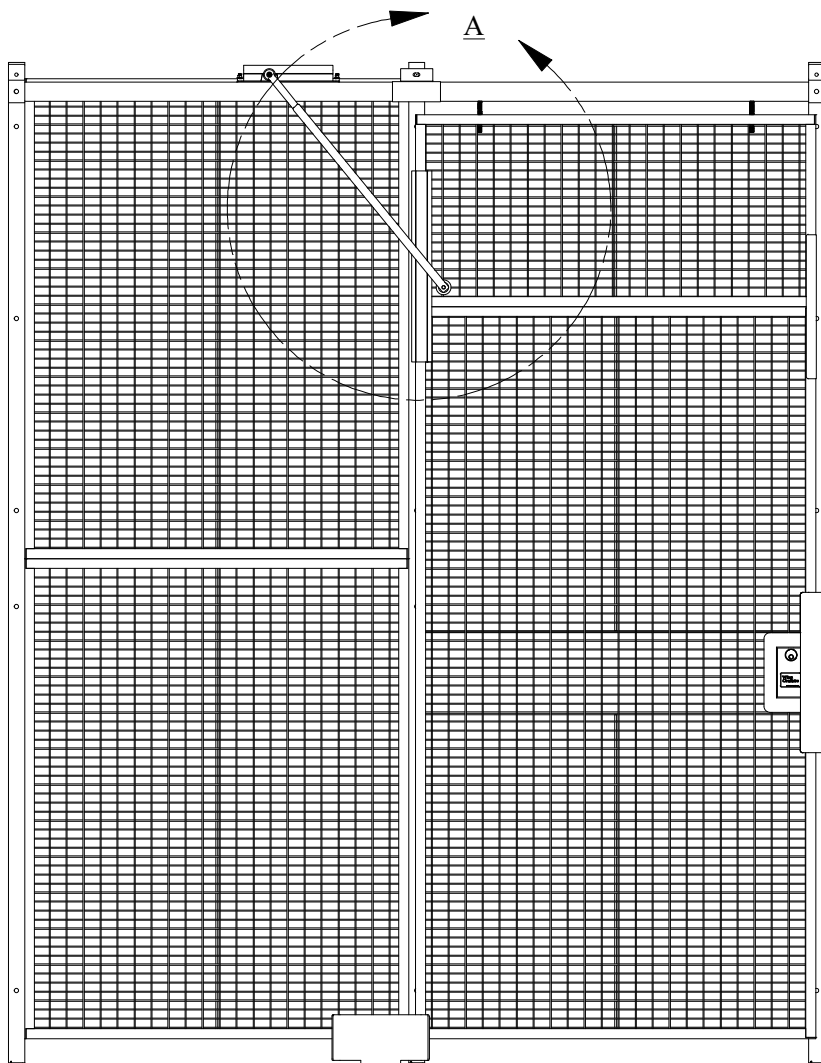
Connector Arm 36 3',4' Slide Doors
Connector Arm 42 5' Slide Doors
Quantity: 1



Door Roller Track 24 3',4' Slide Doors
Door Roller Track 30 5' Slide Doors
Quantity: 1

Fasteners

<u>Qty.</u>	<u>Description</u>
3	1/4" Flat Washer
3	1/4" Lock Washer
3	NOT USED - 1/4"-20 x 1" Phillips Flat Head Screw- NOT USED
2	FS14118PHPS - 1/4"-20 x 1 1/8" Pan Head Phillips Screw (Packaged externally from the tube.)
1	1/4"-28 x 5/8" Phillips Drive Hex Head Screw w/integrated flat & lock washer
1	5/32" Hex L-Key
2	FS381 - 3/8" x 1" Hex Head Cap Screw (Packaged externally from the tube.)
2	FS38N - 3/8" Hex Nut (Packaged externally from the tube.)



Note: The Slide Door should be assembled and functioning properly (smoothly) prior to installing the Hydraulic Door Closer.

Place the bottom of the Door Roller Track on the Slide Door at approximately X" down from the top of the Slide Door Track. (See Table 1.)

8'-5 1/4" System Height Slide Door

Mark the Door Roller Track AND the Slide Door at the desired thru-hole locations

10'-5 1/4" System Height Slide Door

From the inside of the Slide Door mark the Door Roller Track through the Slide Door holes covered by the Door Roller Track that are the furthest apart.

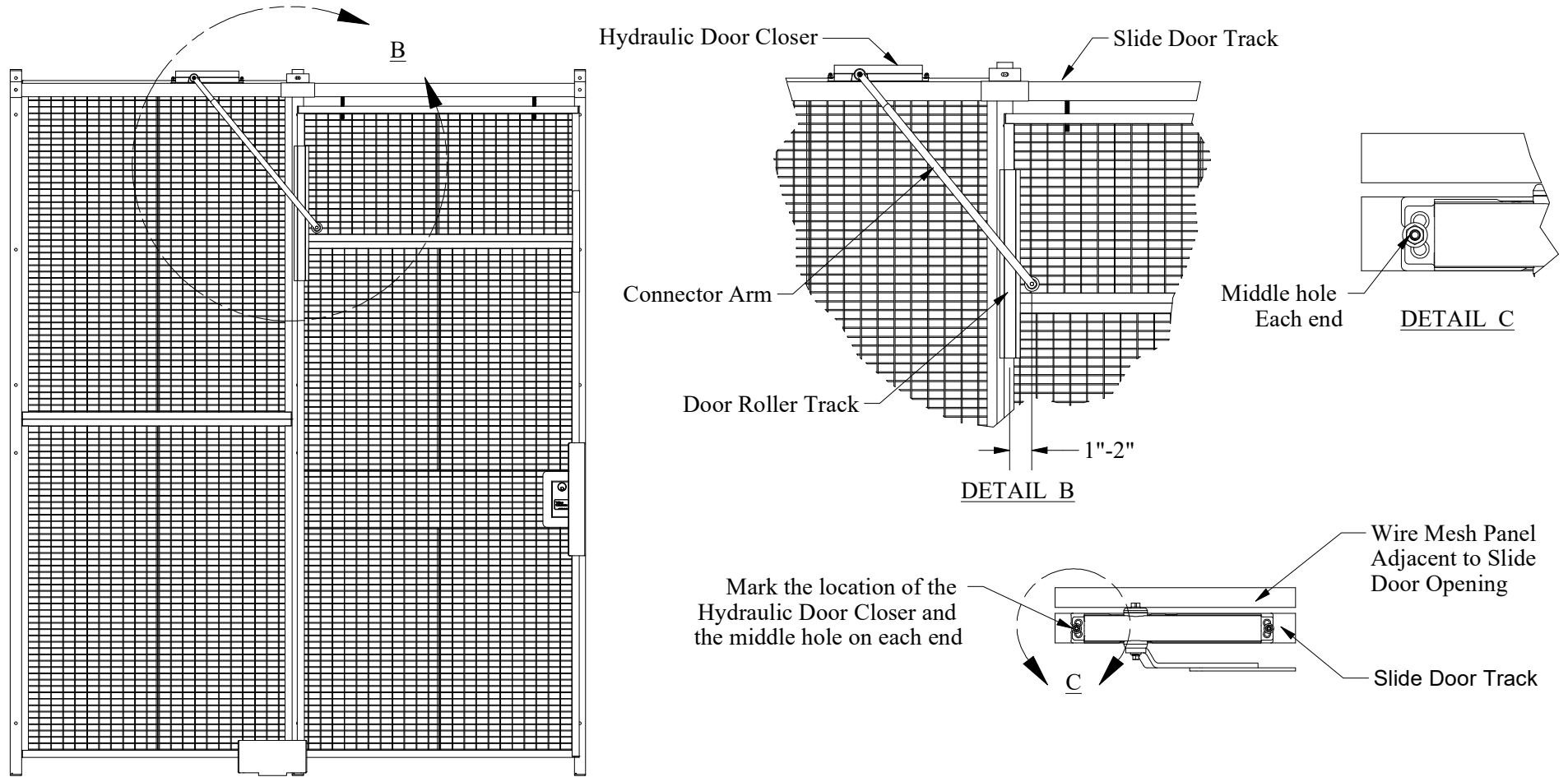
Drill 3/8" thru-holes at the marked locations. (It is recommend to drill pilot holes first.)

Install 2ea. 3/8" x 1" Hex Head Cap Screws with 3/8" Hex Nuts

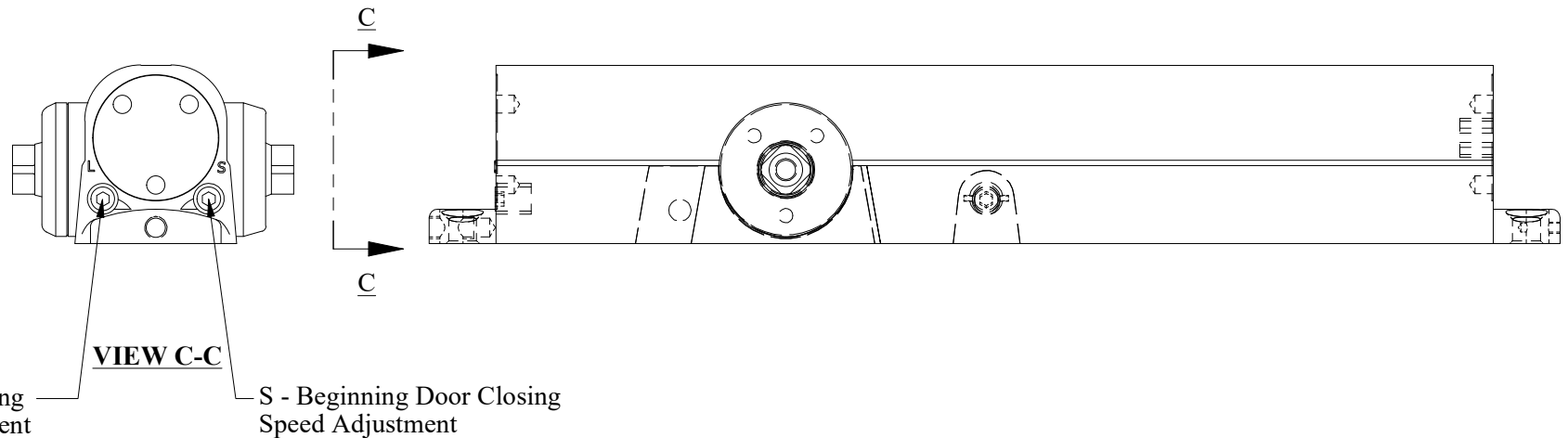
<u>Door Size</u>	<u>X" Dimension</u>
3',4' Slide Door	X" = 34"-35"
5' Slide Door	X" = 42"-43"

Table 1.

Note: 10'-5 1/4" left hand opening slide door shown. Installation instructions are applicable to 3',4', and 5' slide doors at both the the 8'-5 1/4" and 10'-5 1/4" system heights, left or right hand.



1. See DETAIL B. Position the Connector Arm temporarily on the Hydraulic Door Closer facing the closed Slide Door.
2. The Connector Arm wheel should be past the Door Roller Track on the Slide Door by approximately 1"-2".
Note: This will ensure that the arm will still have pressure on the Slide Door when it is closed.
3. See DETAIL C. On the Slide Door Track, mark the location of the Hydraulic Door Closer and the middle holes on each end of the Hydraulic Door Closer. Center punch the holes.
4. Drill 5/16" diameter holes at the center punch locations to accept the 1/4"-20 x 1 1/8" Pan Head Phillips Screws.
Note: DO NOT DRILL WITH THE HYDRAULIC DOOR CLOSER IN PLACE.
5. Mount the Hydraulic Door Closer (*ON TOP OF THE SCSDCLOSERSHM*) to the Slide Door Track using the 1/4"-20 x 1 1/8" Pan Head Phillips Screws, 1/4" flat washer, and 1/4" locknut.
6. Install the Connector Arm in the Door Roller Track
7. Secure the Connector Arm to the Hydraulic Door Closer using the provided hardware.
Note: You may need to rotate the Hydraulic Door Closer shaft from the opposite side to align the Connector Arm with the Hydraulic Closer shaft on the connection side.



Installer Notes:

"L" - Latching Door Closing Speed Adjustment
"S" - Beginning Door Closing Speed Adjustment

Clockwise adjustments to either "L" or "S" reduce speed.
Counter-Clockwise adjustments to either "L" or "S" increase speed.

The majority of the door movement is in the latching portion.

A slower speed is recommended, to begin with, then increase incrementally so as not to damage other parts of the slide door assembly, e.g, the lockset, maglock, etc.

Thanks for using

WireCrafters

Wire Partition Systems

For more information on WireCrafters products please visit our website at www.wirecrafters.com