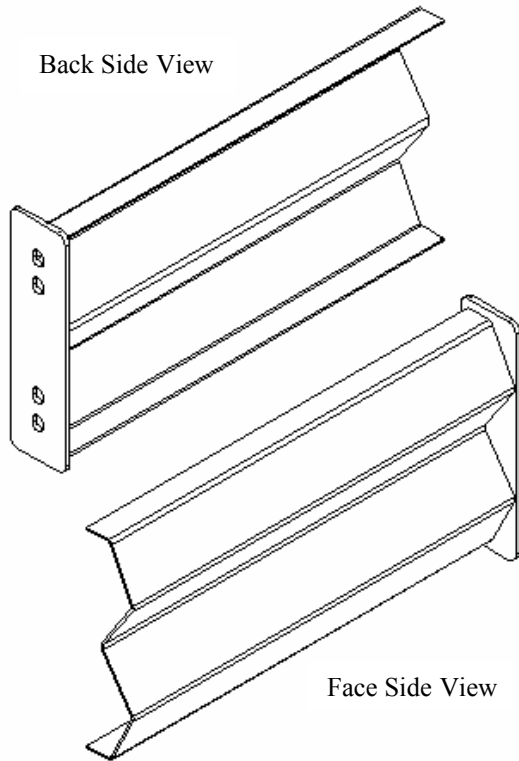


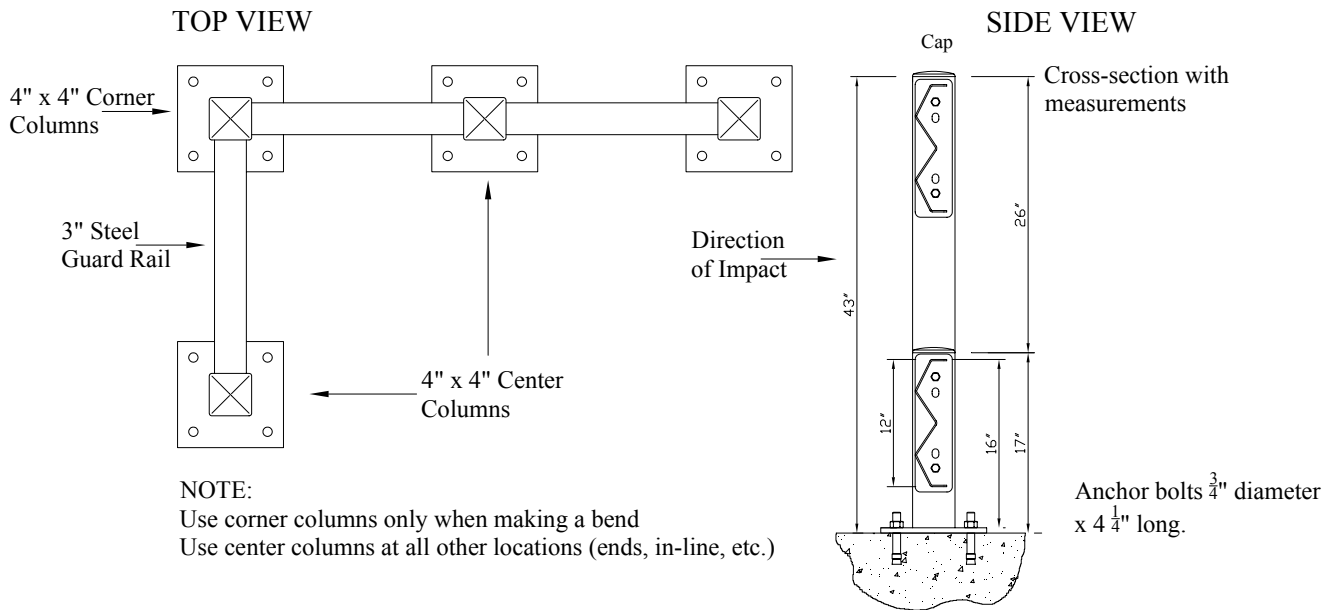
# WireCrafters Guard Rail



## Features

- Competitive price
- 11 gauge formed steel rail
- Design formed to eliminate sharp edges
- Rail lengths 10', 9', 8', 7', 6', 5', 4', 3', 2', 1'
- Lift out rail available
- 4" sq. x 1/4" wall structural steel uprights with metal caps.
- Columns: Single 17", Double 43"
- Baseplates: 10" sq. x 1/2" thick steel plate with four 7/8" round holes.
- Anchor bolts 3/4" diameter X 4 1/4" long provided

## GUARD RAIL LAYOUT



# WireCrafters