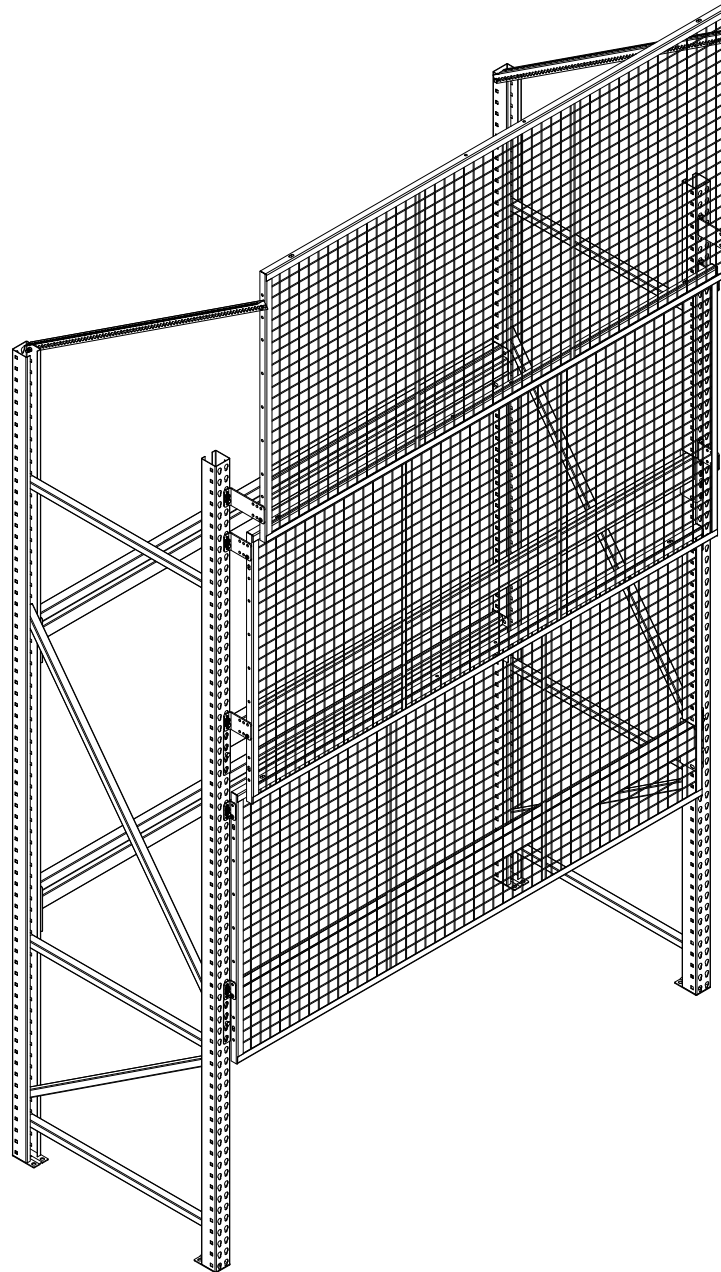


WireCrafters

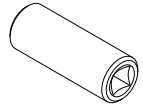
RackBack Installation Instructions



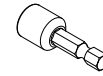
INCLUDED IN THIS MANUAL

Description	Page
Recommended Tools	2
FastBack Panel Hardware Pack	3
FastBack Panel Installation	4
FastBack Panel Installation Continued	5
Slotted Angle Installation	6
Hinge Door Hardware Pack	7
Hinge Door Installation	8
Hinge Door Installation Continued	9
Hinge Door Installation Continued	10
Slide Door Hardware Pack	11
Slide Door Installation	12
Slide Door Installation Continued	13
Slide Door Installation Continued	14
Slide Door Installation Continued	15
Slide Door Installation Continued	16
Standard Panel Hardware Pack	17
Standard Panel Installation	18
Standard Panel Installation Continued	19
Wire Partition Thank You Page	20

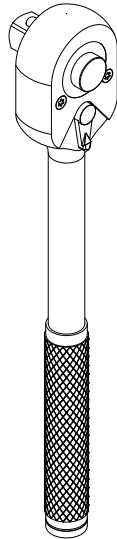
We're Here To Help
1-800-626-1816



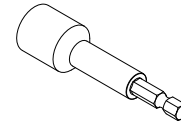
9/16" Socket



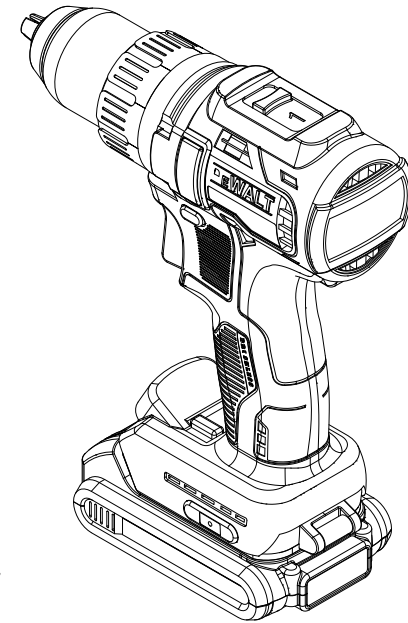
3/8" Nut Driver



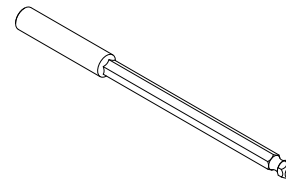
Ratchet



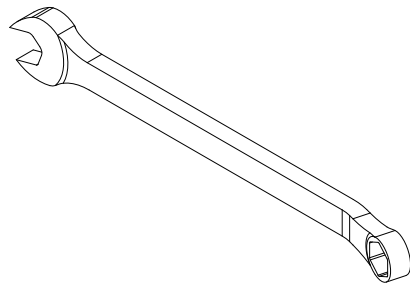
9/16" Nut Driver



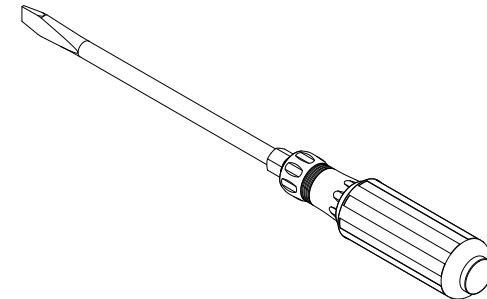
Cordless Drill with
Adjustable Clutch



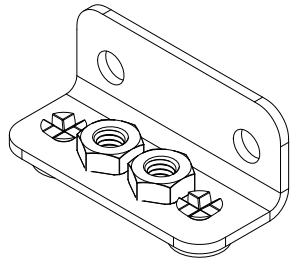
5 7/8" Bit Holder



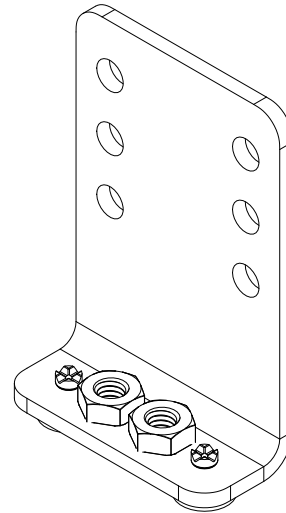
9/16" Open End
or
Combination Wrench



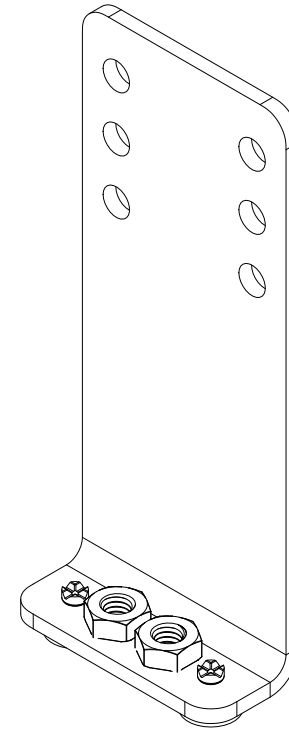
Slotted Screwdriver



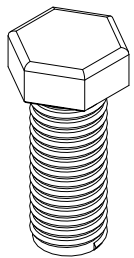
RACKBACK FLSH MNT BKT
(0 - 1 1/4")
FB1 (4 / FB1PK)



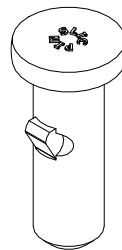
RACK BACK OFFSET MNT BKT
(2 7/8 TO 3 1/4")
FB4 (4 / FB4PK)



RACK BACK OFFSET MNT BKT
(4 3/8 TO 6")
FB7 (4 / FB7PK)



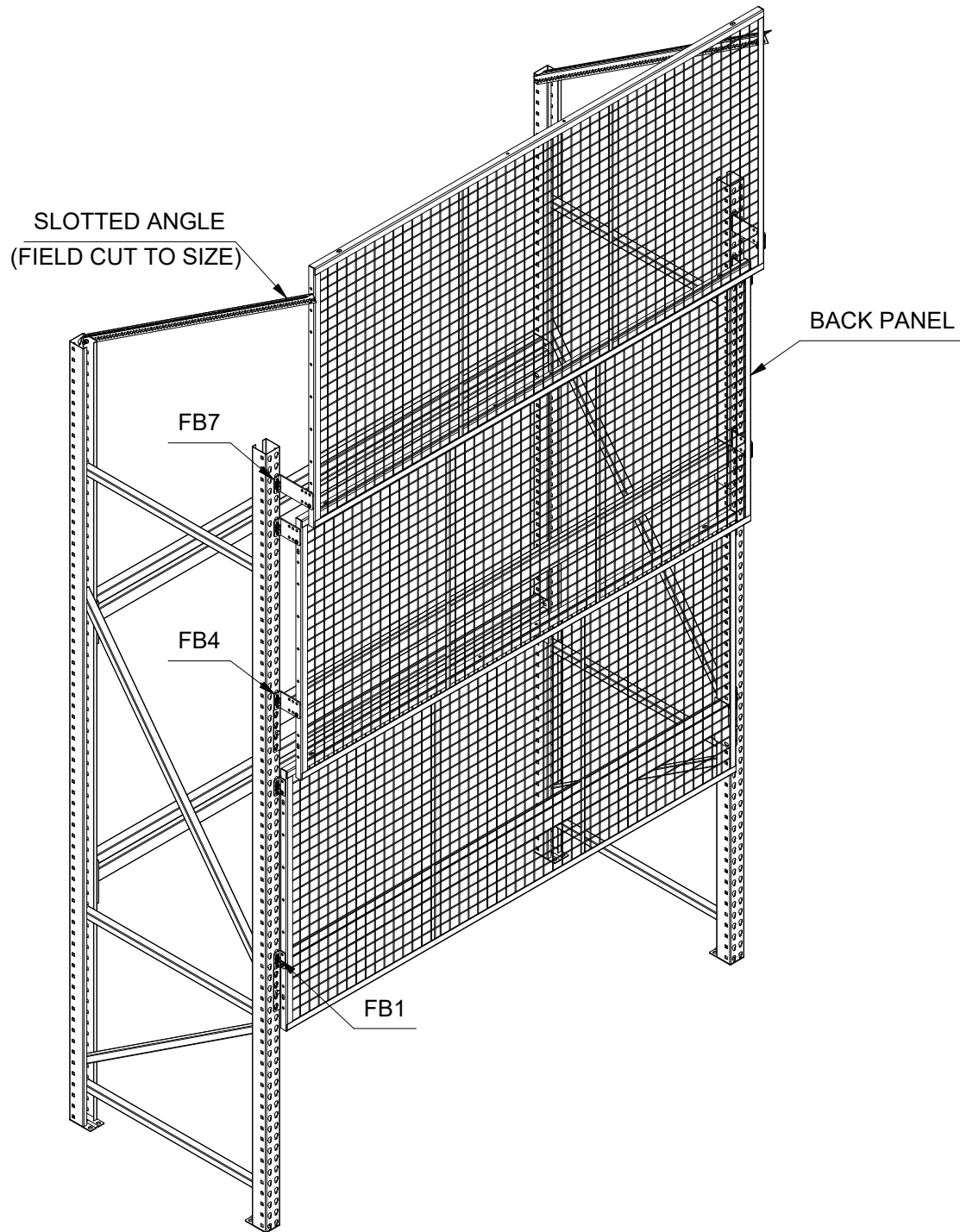
LOCK BOLT
FS381



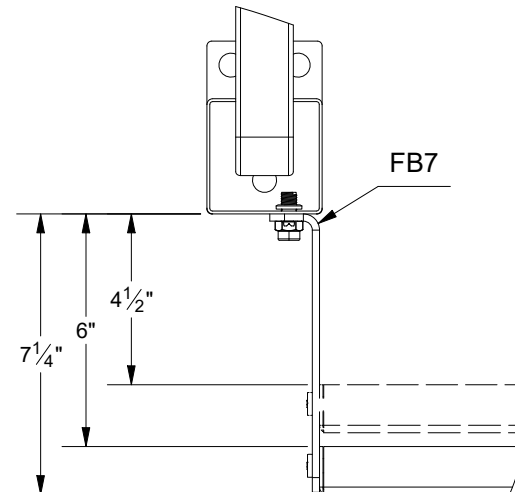
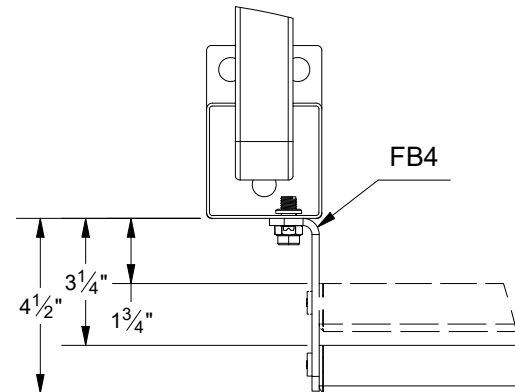
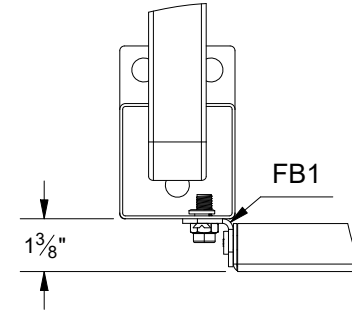
SPRING PIN FOR PANEL ATTACHMENT
FS38114SP

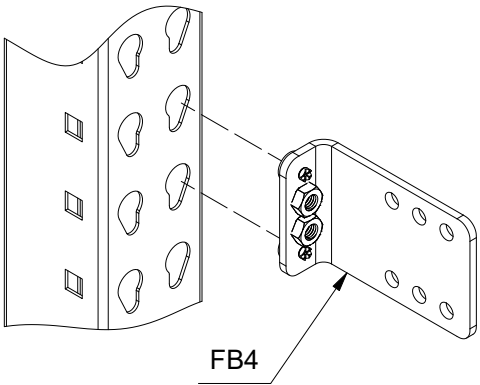
FBFSPK - Fastener Pack

Qty.	Part Number	Description
4	FS381	3/8"-16 X 1" Hex Head Bolt
6	FS38114SP	3/8 X 1 1/4" SLIC Pin

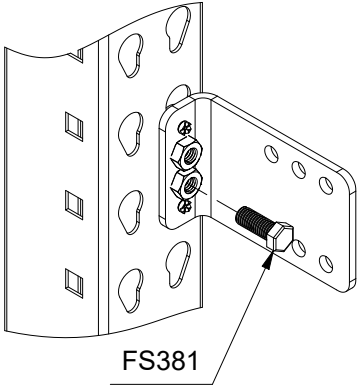


Offset Ranges

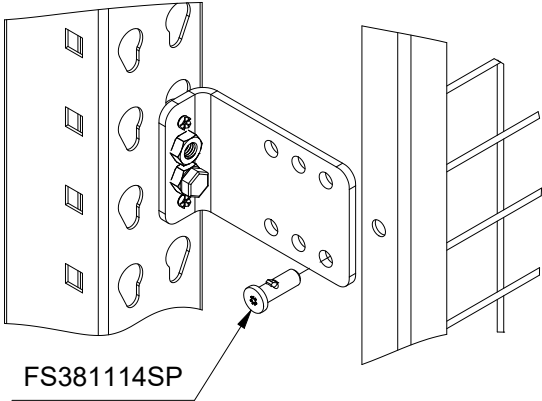




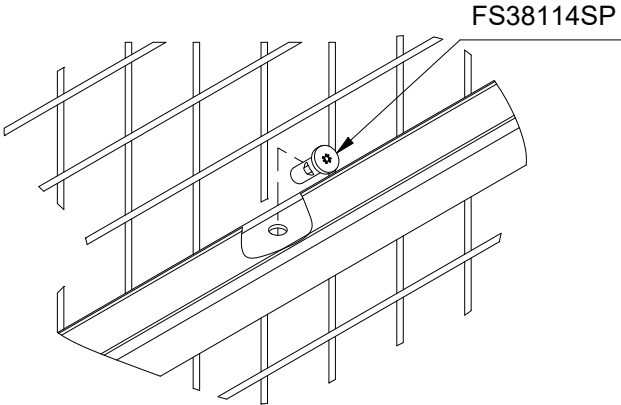
POSITION BRACKET ON RACK UPRIGHT



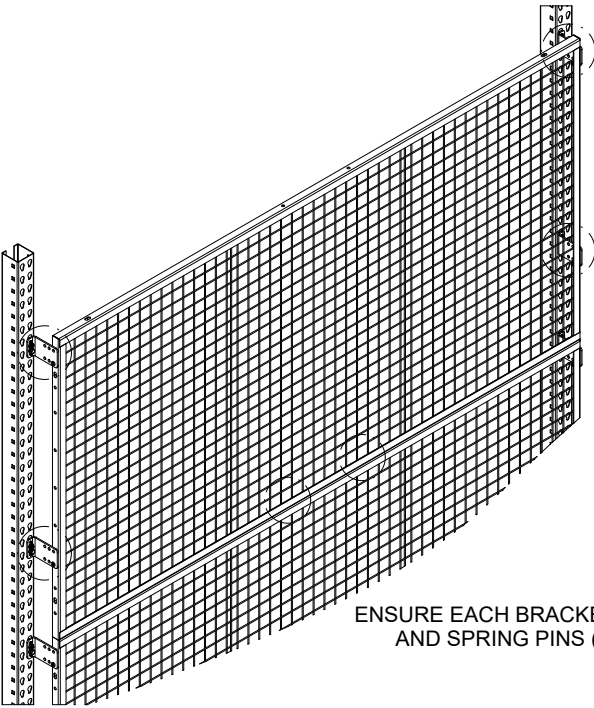
THREAD BOLT THROUGH LOWER NUT TO LOCK BRACKET IN PLACE



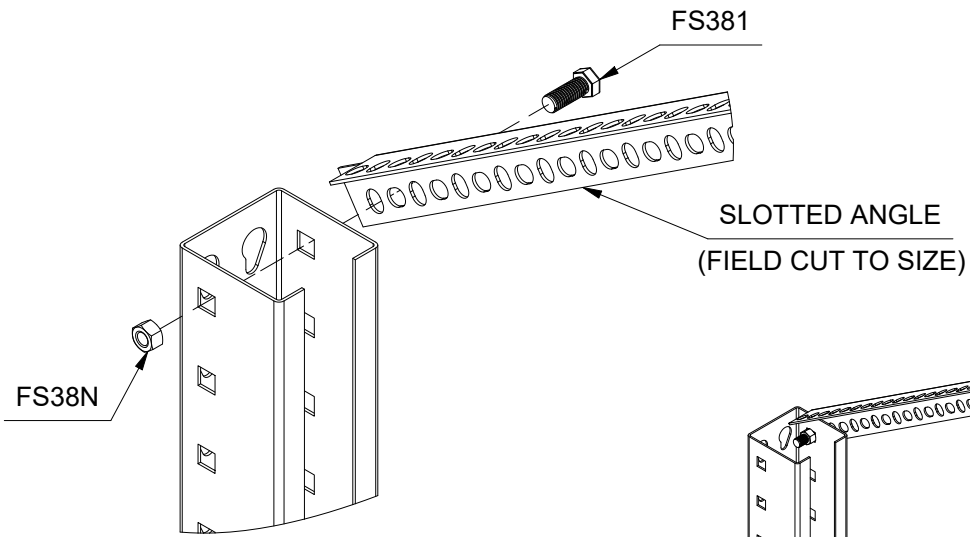
ALIGN PANEL WITH BRACKET AND INSERT PIN UNTIL YOU HEAR A CLICK



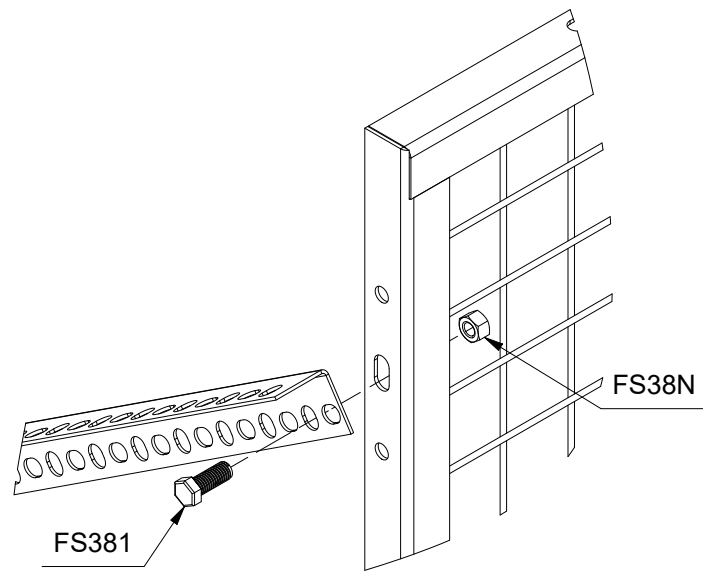
CONNECT UPPER AND LOWER PANELS BY INSERTING PROVIDED PINS THROUGH ROUND HOLES IN CENTER OF PANELS



ENSURE EACH BRACKET (4) IS LOCKED IN PLACE AND SPRING PINS (6) ARE FULLY SEATED

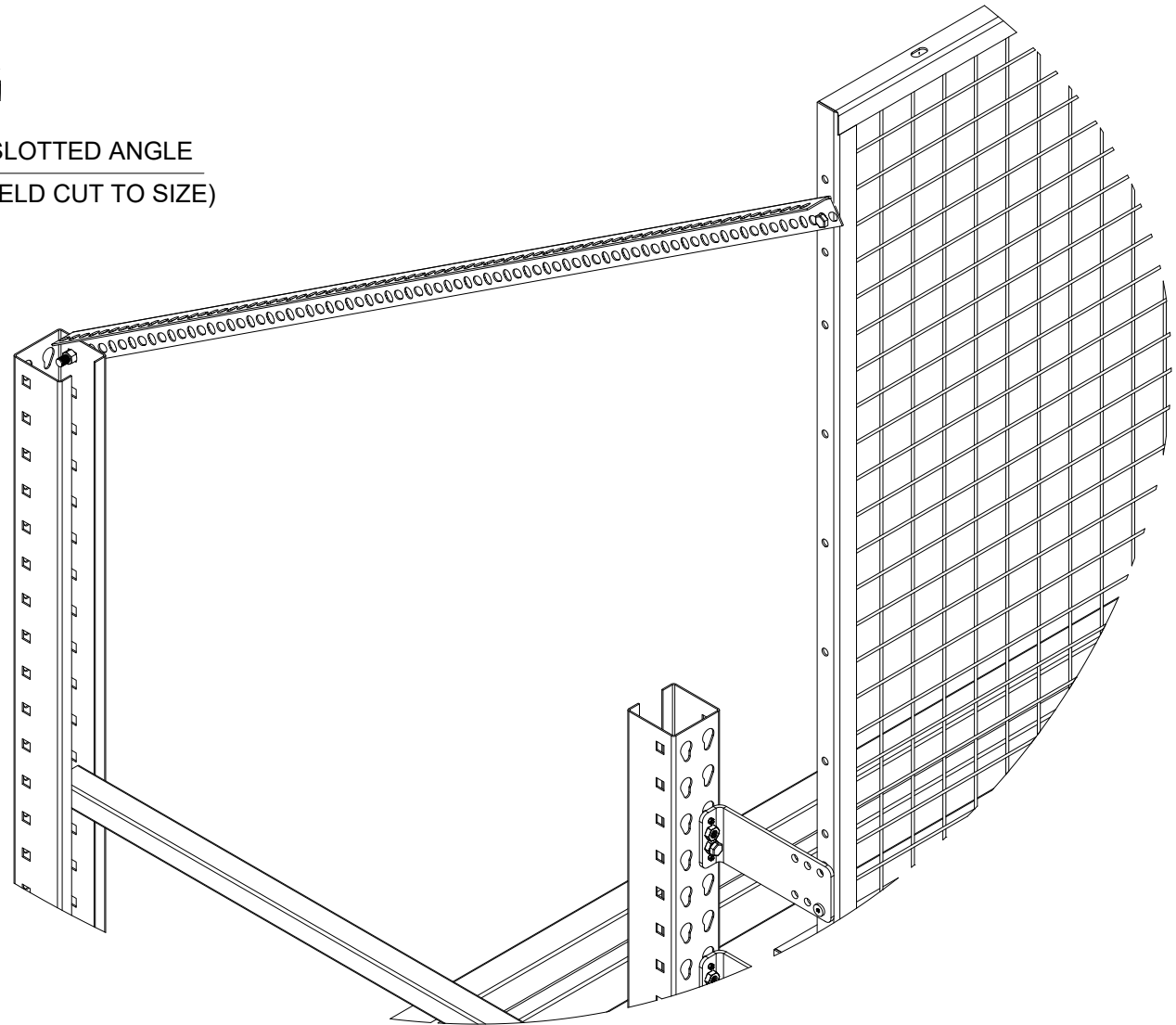


DETAIL
SLOTTED ANGLE PALLET RACK
MOUNTING

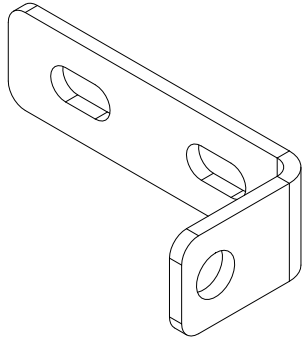


DETAIL
SLOTTED ANGLE PANEL
MOUNTING

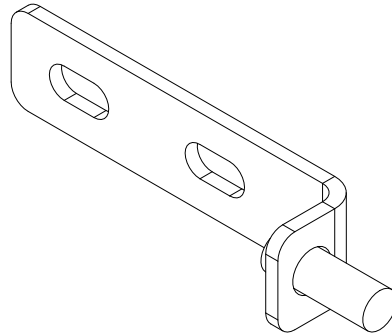
SLOTTED ANGLE
(FIELD CUT TO SIZE)



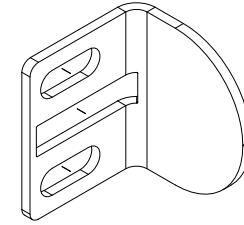
DETAIL
SLOTTED ANGLE INSTALLED



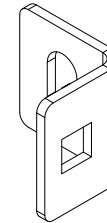
RackBack Hinge Part A
Quantity (4)
Part # BRHGA



RackBack Hinge Part B
Quantity (4)
Part # BRHGB



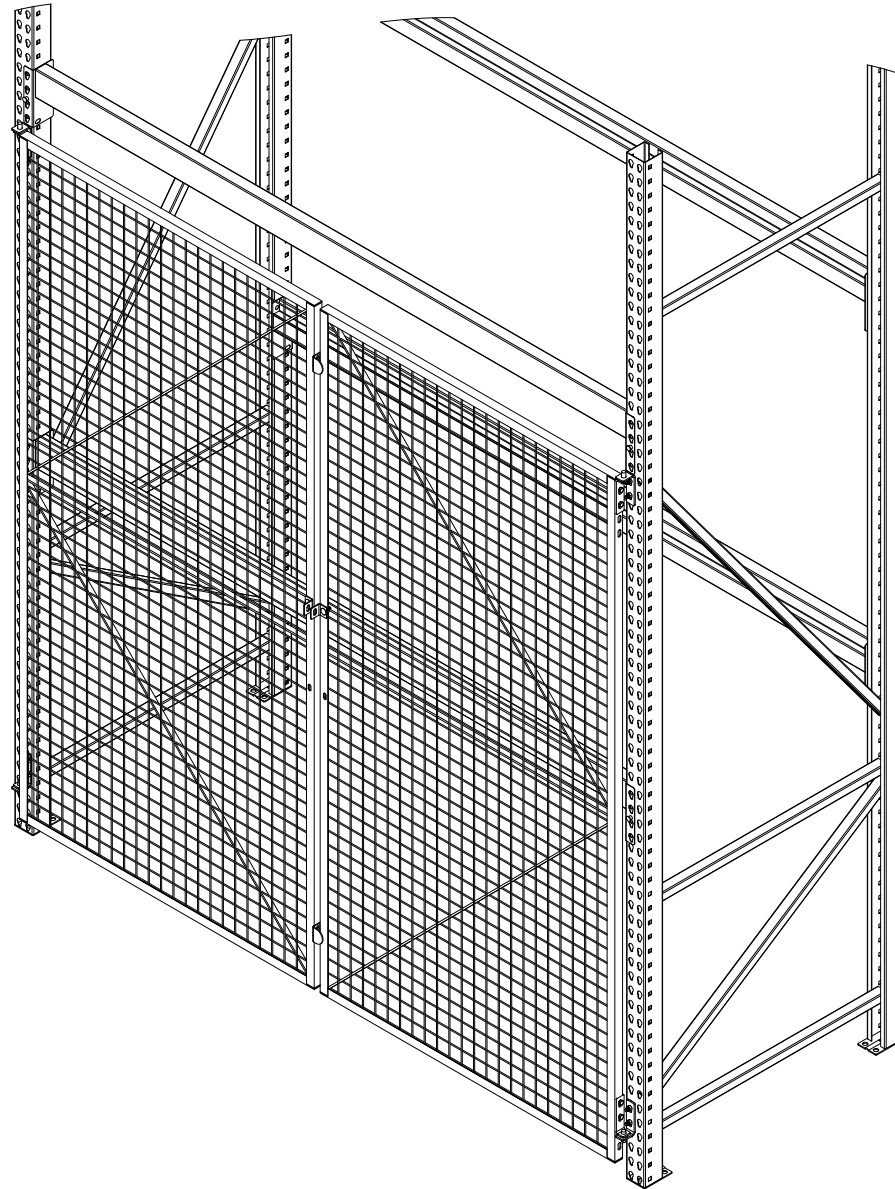
HD Slam Bar Bolt On
Quantity (2)
Part # HDSLBRBLTON

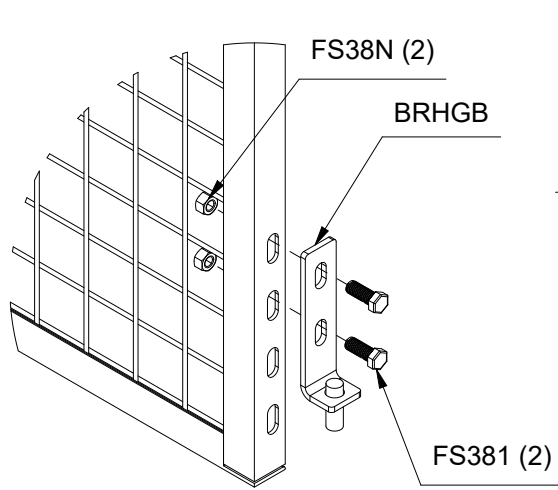


HD Angle Pad Lock Lug
Quantity (2)
Part # HDANPLL

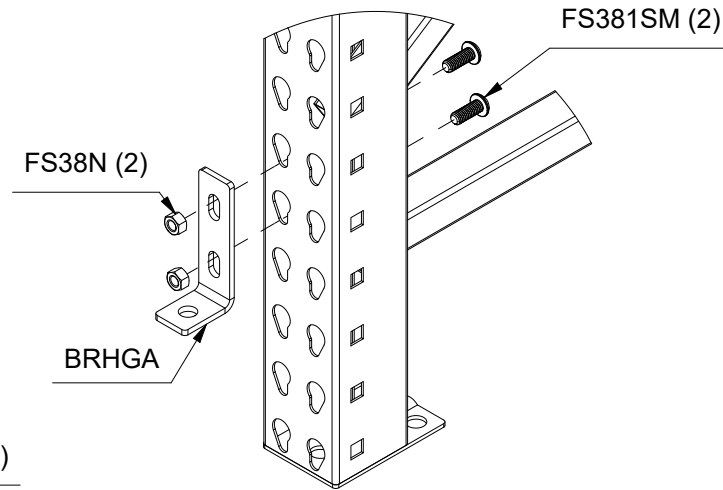
RDPK - Fastener Pack (Contents Below)

Qty.	Part Number	Description
10	FS381	3/8"-16 X 1" Hex Head Cap Screw
2	FS381CB	3/8" X 1" Carriage Bolt
8	FS381SM	3/8"-16 X 1 Slotted Truss Machine Screw
20	FS38N	3/8"-16 Hex Nut
4	FSBUSH	5/8" Bushing for RackBack Hinge

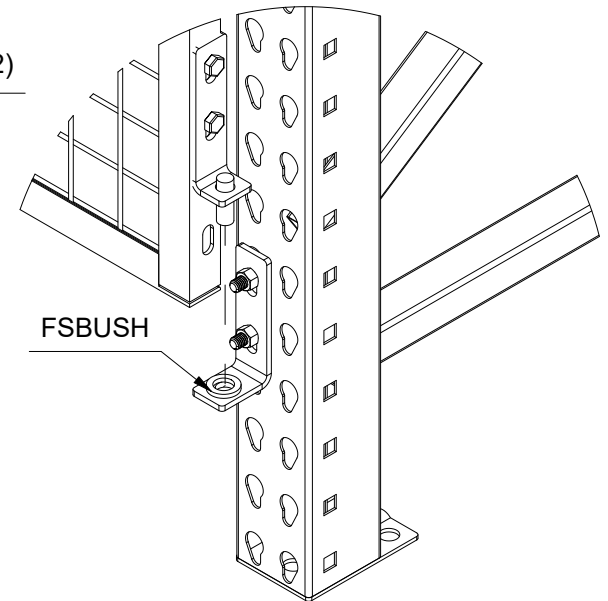




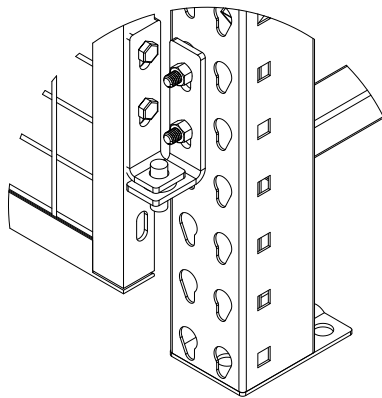
DETAIL
HINGE DOOR HINGE BRACKET
EXPLODED VIEW



DETAIL
PALLET RACK HINGE BRACKET
EXPLODED VIEW

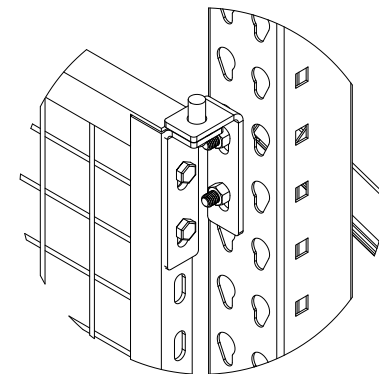


DETAIL
HINGE DOOR MOUNTING



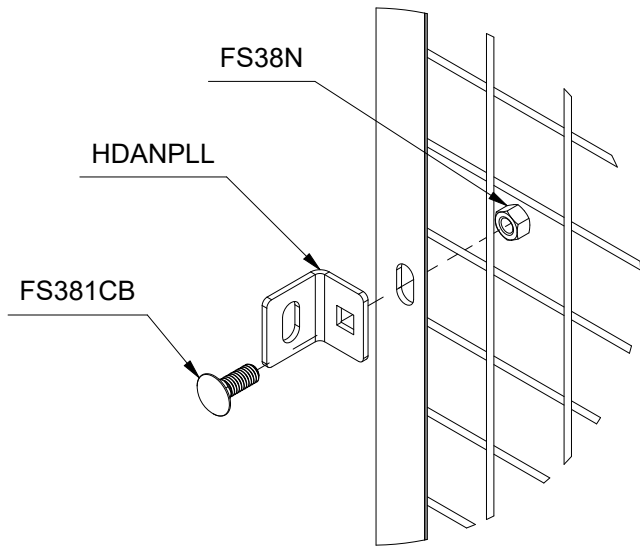
DETAIL
HINGE DOOR BOTTOM HINGE
ASSEMBLED

Important: BRHGA & BRHGB
install in opposite orientation.

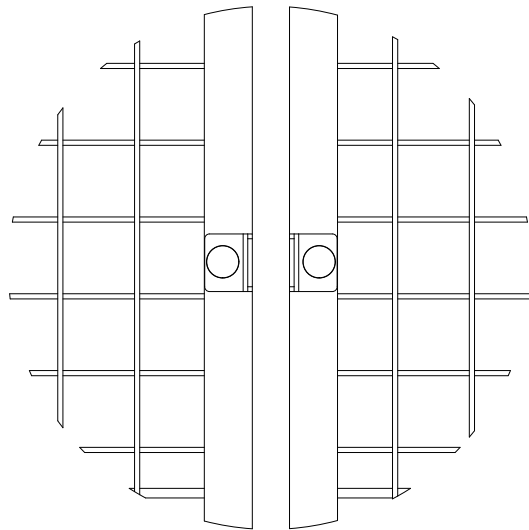


DETAIL
HINGE DOOR TOP HINGE
ASSEMBLED

Lock Lug Installation

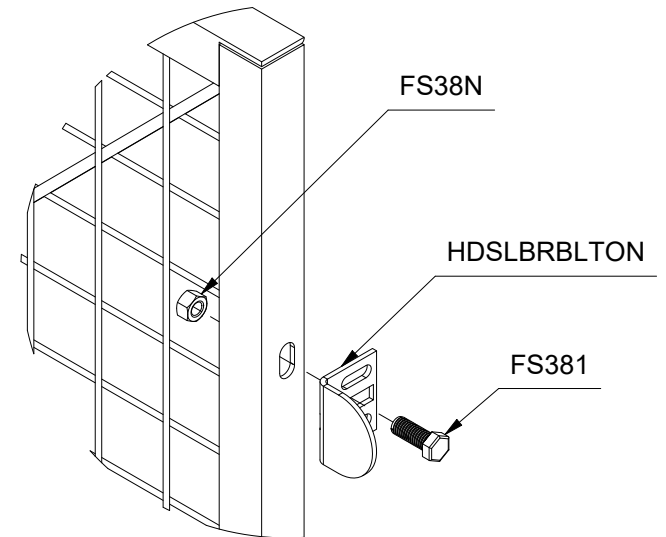


DETAIL
LOCK LUG EXPLODED VIEW

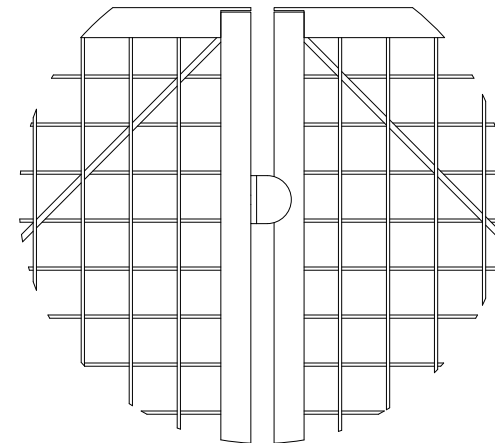


DETAIL
LOCK LUGS FRONT VIEW

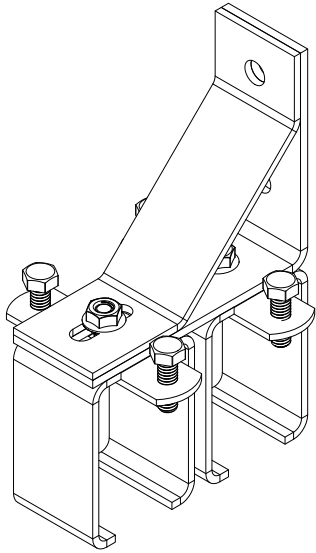
Slam Bar Installation



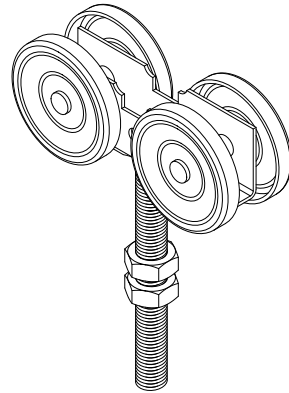
DETAIL
SLAM BAR EXPLODED VIEW
(TOP & BOTTOM)



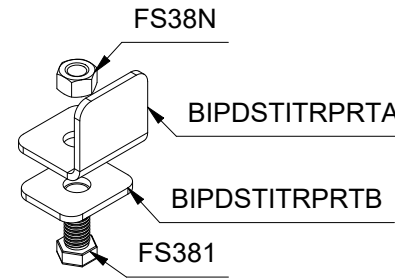
DETAIL
SLAM BAR FRONT VIEW



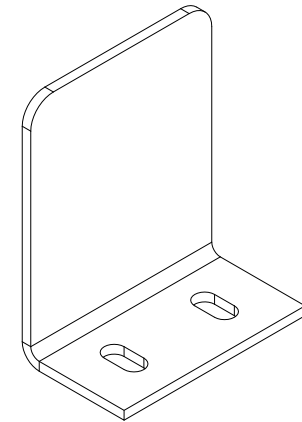
Slide Door Double Track Bracket
Quantity (2)
Part # SDDLTRKBKT



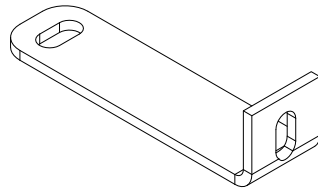
4 Wheel Trolley Truck
Quantity (4)
Part # SDTT4WH



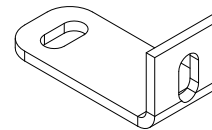
Trolley Stop
Quantity (2)
Part # BIPDSTITR
(Part A & B)



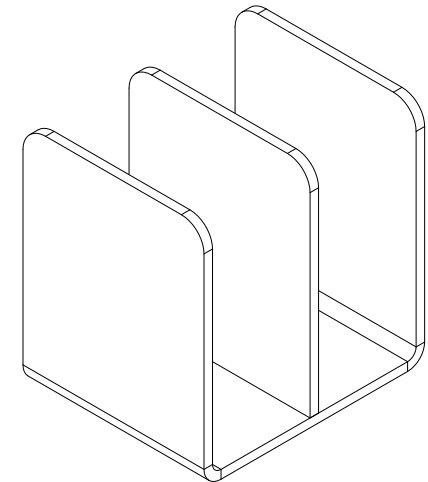
Single Slide Door
Guide
Quantity (2)



1 1/2" X 5 5/8" Angle Pad Lock Lug
Quantity (1)



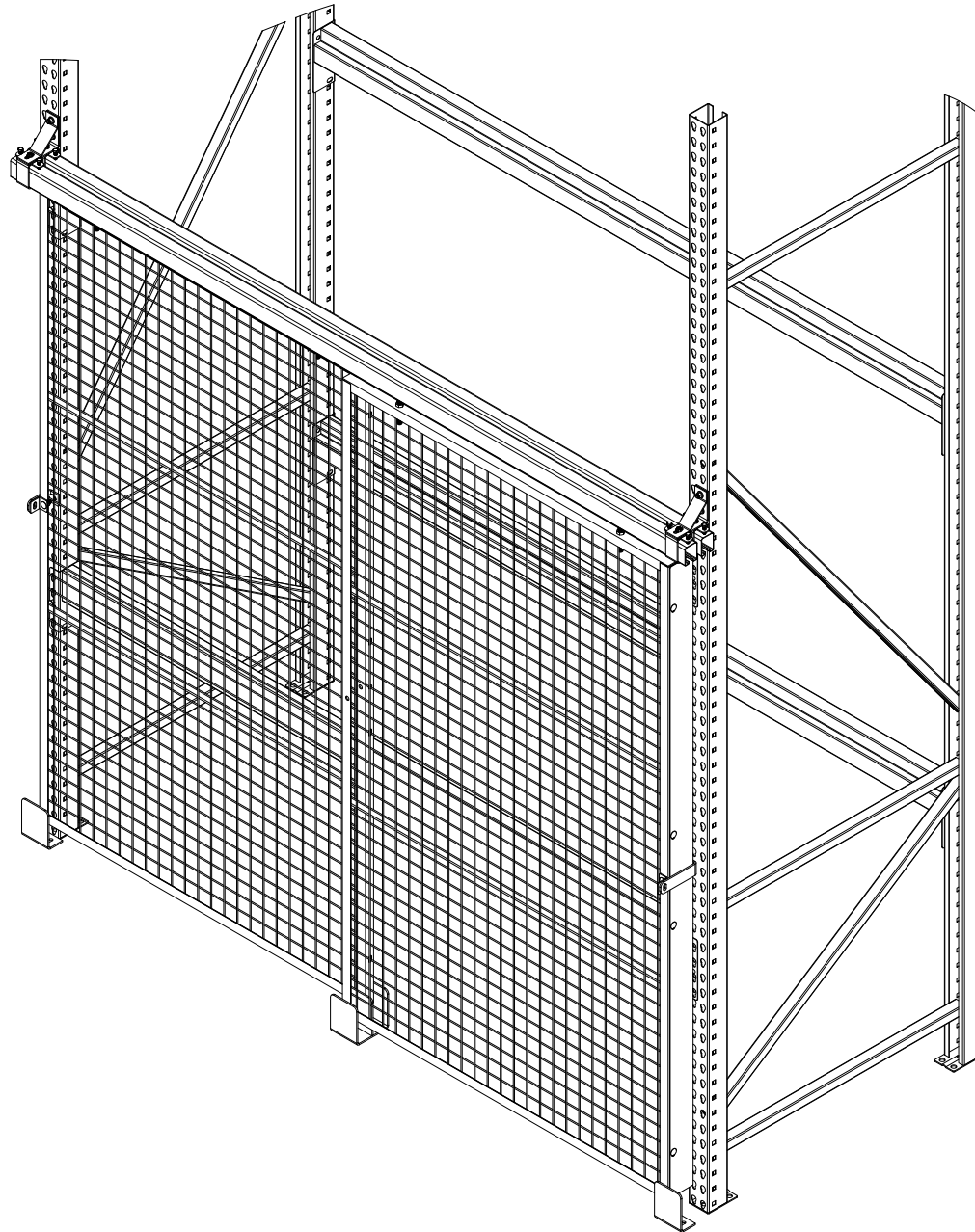
1 1/2" X 3 3/8" Angle Pad Lock Lug
Quantity (1)

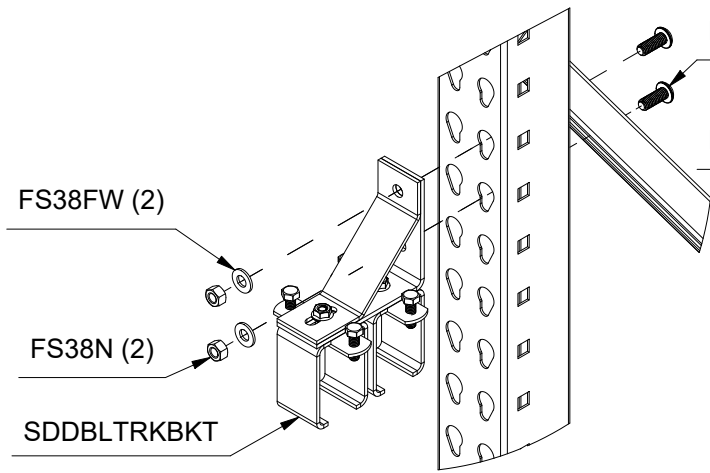


Double Slide Door
Guide
Quantity (1)

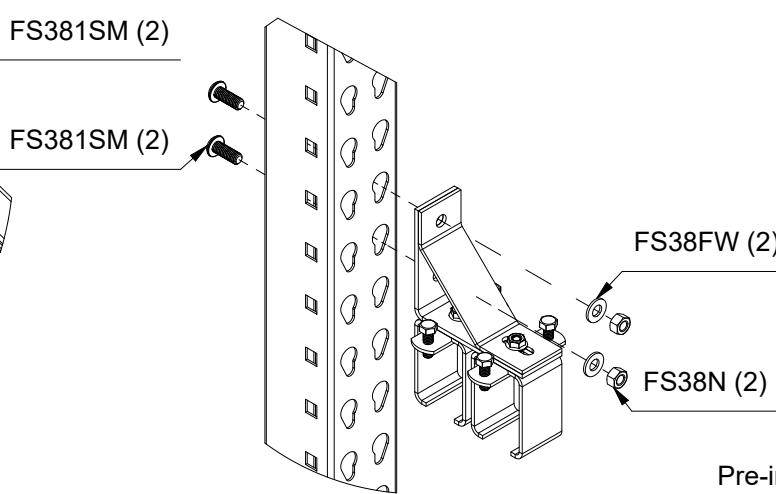
Fasteners

Qty.	Part Number	Description
8	FS381CB	3/8" X 1" Carriage Bolt
4	FS381SM	3/8"-16 X 1" Slotted Truss Machine Screw
10	FS38FW	3/8" Flat Washer
2	FS38LN	3/8" Lock Nut
20	FS38N	3/8"-16 Hex Nut
6	FS38STA	3/8" Wedge Anchor

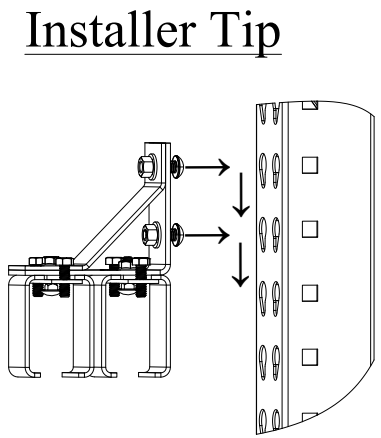




DETAIL
SLIDE DOOR LEFT DOUBLE TRACK
BRACKET EXPLODED VIEW



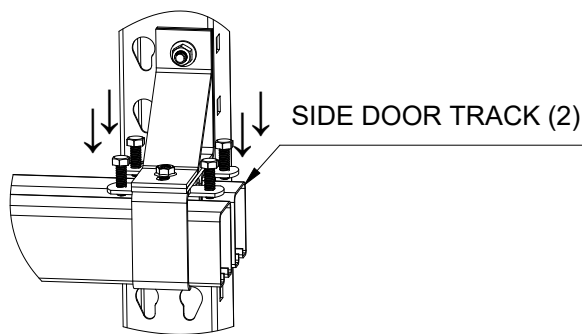
DETAIL
SLIDE DOOR RIGHT DOUBLE TRACK
BRACKET EXPLODED VIEW



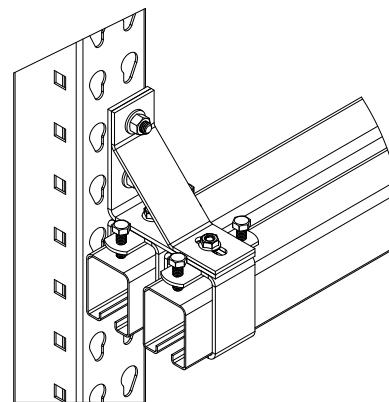
Installer Tip

Pre-install the hardware to the SDDLTRK BKT. Engage the teardrop with the heads of the FS381SMs, lower into position, and apply outward force while tightening the FS38Ns.

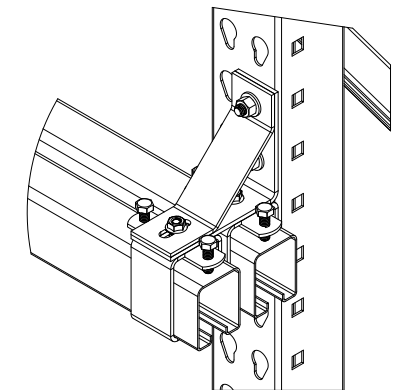
Installer Tip



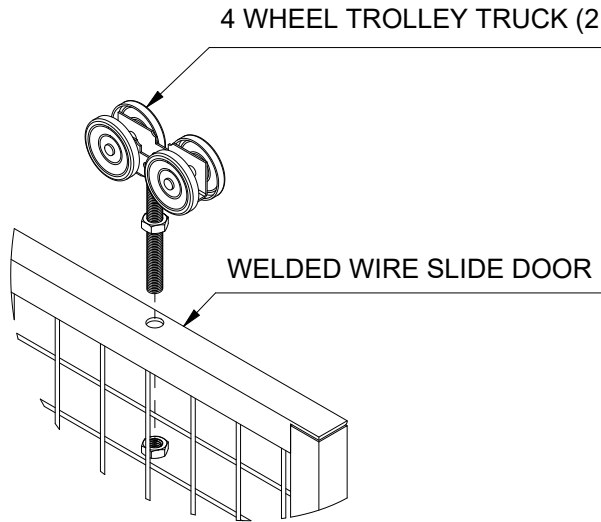
Once the Slide Door Tracks are in position, tighten the four bolts preinstalled onto the bracket.
 NOTE: the bolts might need to be loosened before installation of the Slide Door Tracks.



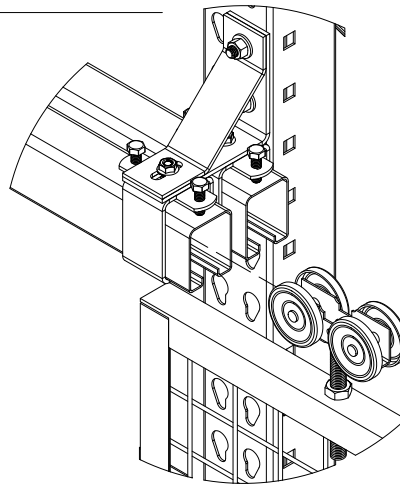
DETAIL
SLIDE DOOR LEFT BRACKET
W/ SLIDE DOOR TRACKS INSTALLED



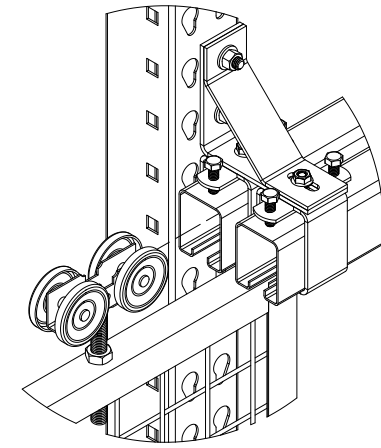
DETAIL
SLIDE DOOR RIGHT BRACKET
W/ SLIDE DOOR TRACKS INSTALLED



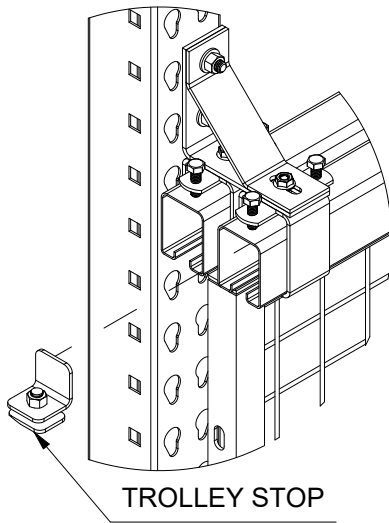
DETAIL
TROLLEY TRUCK EXPLODED VIEW



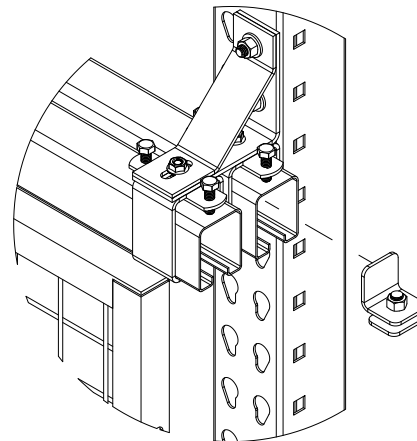
DETAIL
RIGHT DOOR INSTALLATION



DETAIL
LEFT DOOR INSTALLATION

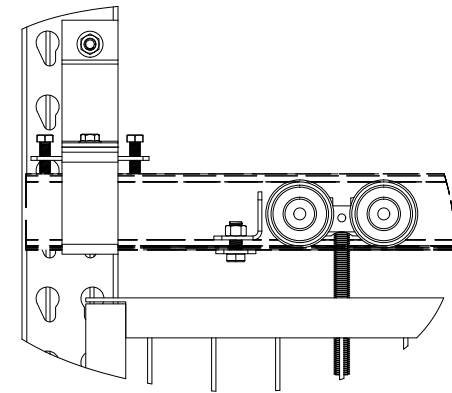


DETAIL
RIGHT DOOR TROLLEY STOP
INSTALLATION



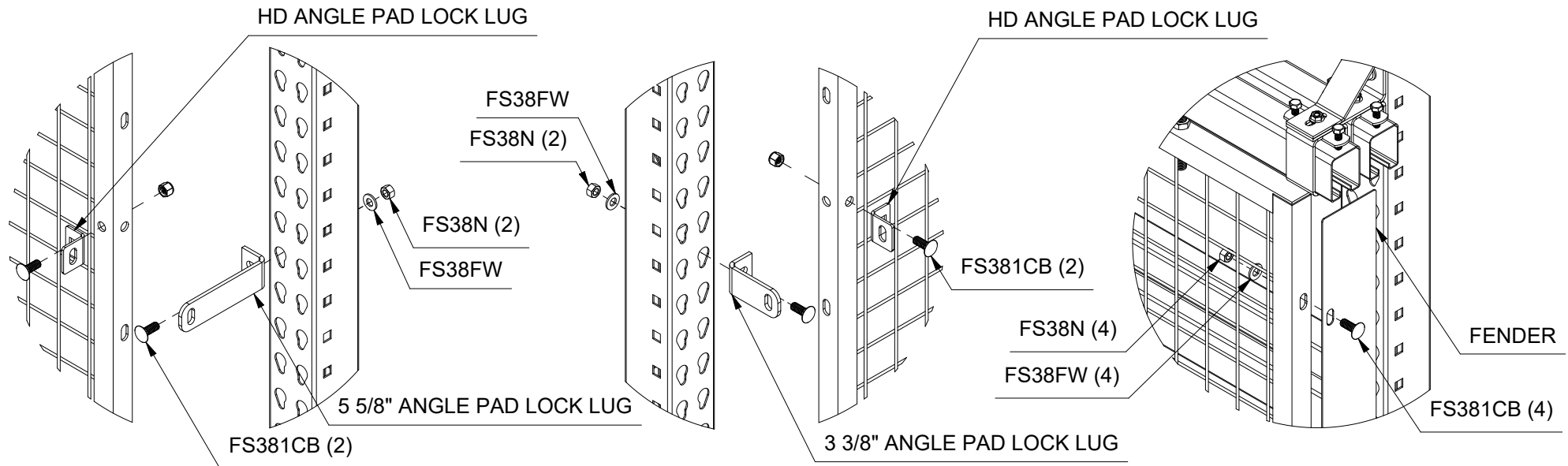
DETAIL
LEFT DOOR TROLLEY STOP
INSTALLATION

Installer Tip



Install the Trolley Stops such that the right door can't exit the channel to the left, and vice versa. NOTE: The bolt on the Trolley Stop might need to be loosened to slide into the channel.

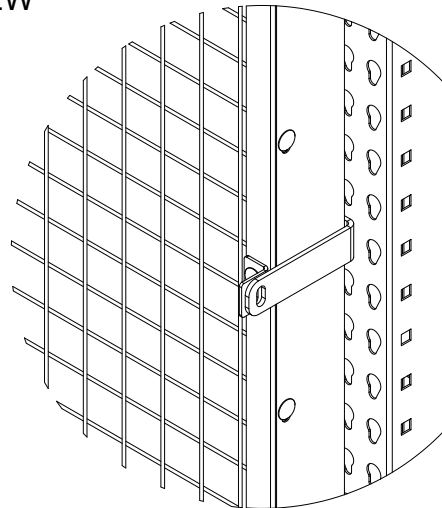
Lock Lug and Fender Installation



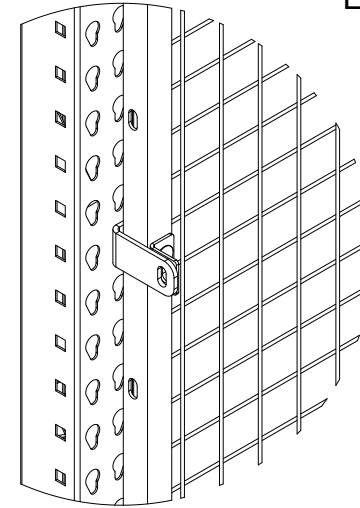
DETAIL
SLIDE DOOR RIGHT LOCK LUGS
EXPLODED VIEW

DETAIL
SLIDE DOOR LEFT LOCK LUGS
EXPLODED VIEW

DETAIL
SLIDE DOOR FENDER
EXPLODED VIEW

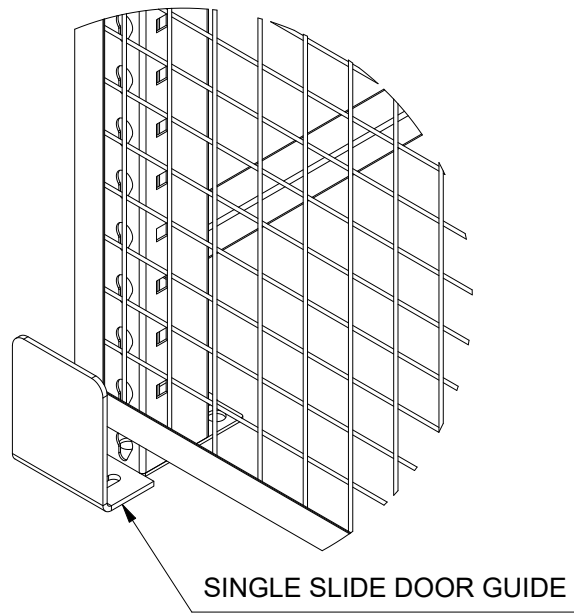


DETAIL
SLIDE DOOR RIGHT LOCK LUGS
AND FENDER INSTALLED

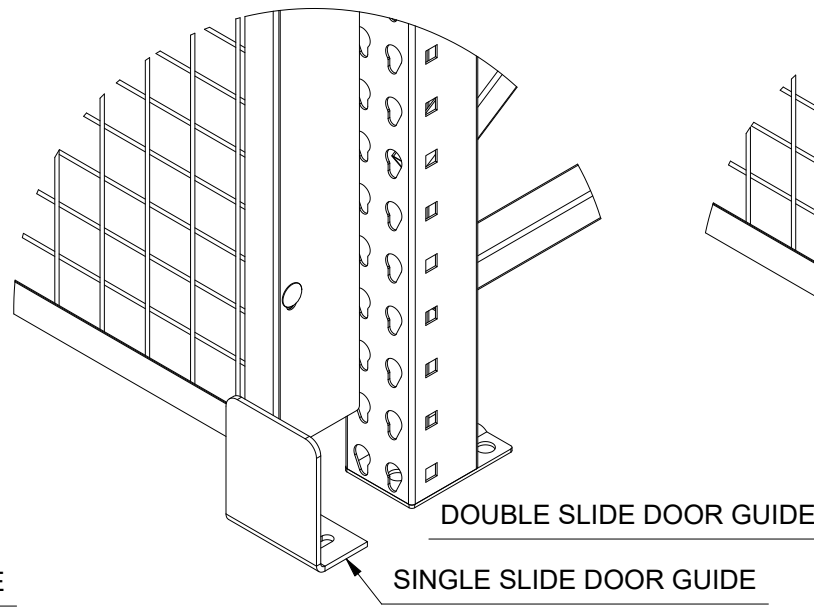


DETAIL
SLIDE DOOR LEFT LOCK LUGS
INSTALLED

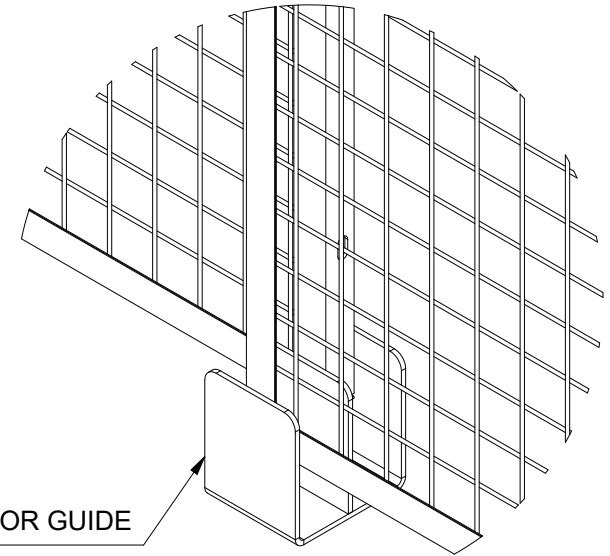
Slide Door Door Guide Positioning



DETAIL
LEFT SLIDE DOOR GUIDE
POSITIONING



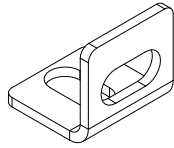
DETAIL
RIGHT SLIDE DOOR GUIDE
POSITIONING



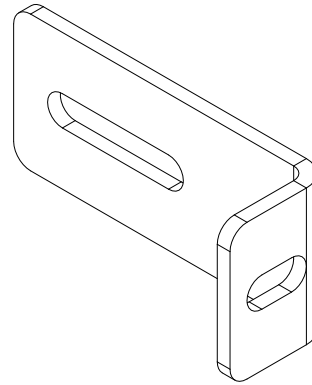
DETAIL
CENTER SLIDE DOOR GUIDE
POSITIONING

Installer Tip

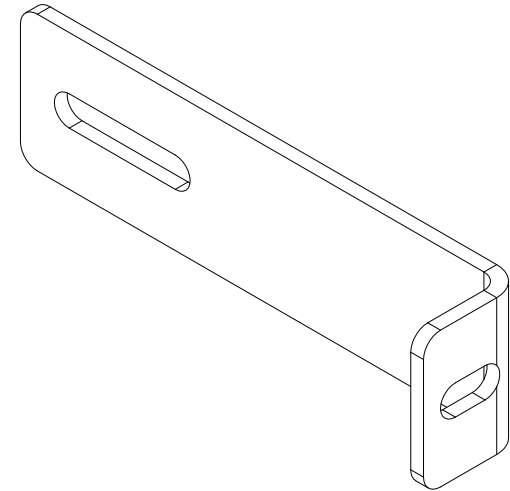
Position Outer Door Guides to provide enough clearance for its corresponding door. Position Center Door Guide to allow clearance for both doors. Use provided wedge anchors to mount.



RACK BACK FLSH MNT BRKT
(0' - 1 1/4")
FB1PK (4 / PACK)
OPANCL114182H



RACK BACK OFFSET MNT BKT
(2 7/8" TO 3 1/4")
BR4PK (4 / PACK)
OPANCL412112



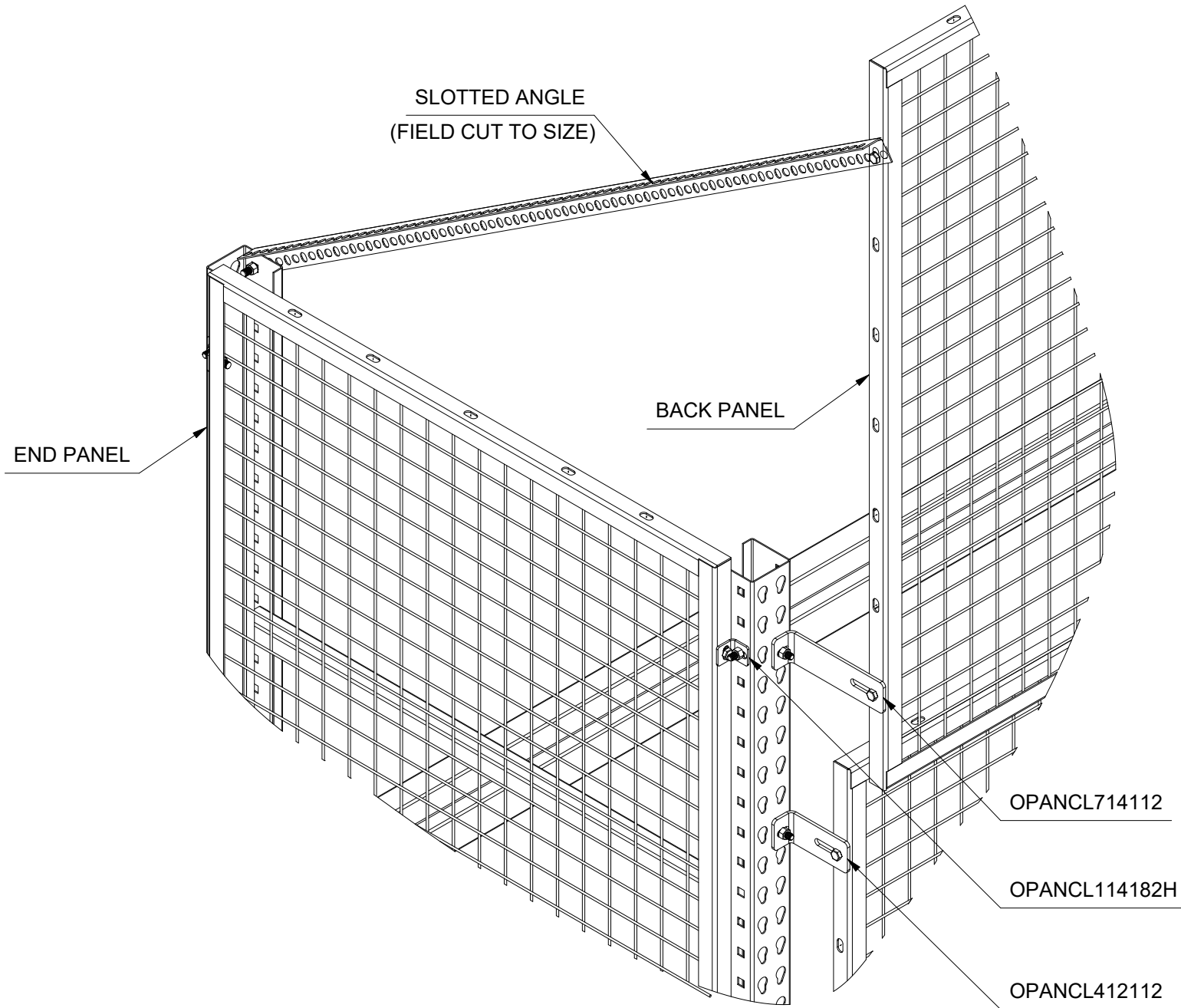
RACK BACK OFFSET MNT BKT
(4 3/8" TO 6")
BR7PK(4 / PACK)
OPANCL714112

Standard Rack Back Brackets

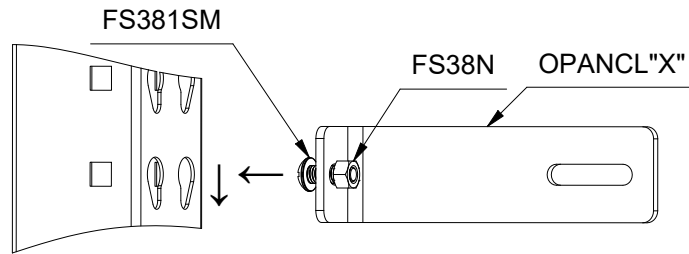
For use with non-teardrop racks

BRFSPK - Fastener Pack

Qty.	Part Number	Description
2	FS381	3/8"-16 X 1" Hex Head Bolt
2	FS381SM	3/8-16 X 1 Slotted Truss Machine Screw
2	FS38N	3/8-16 Hex Nut

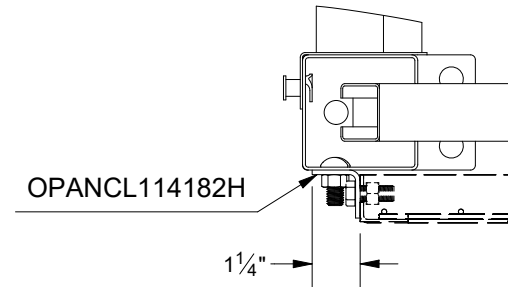


Installer Tip

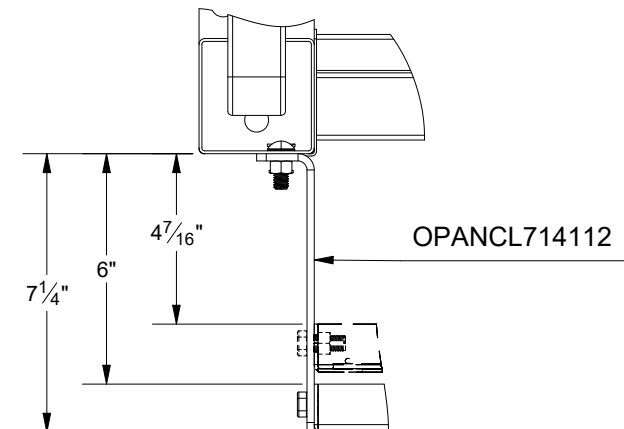
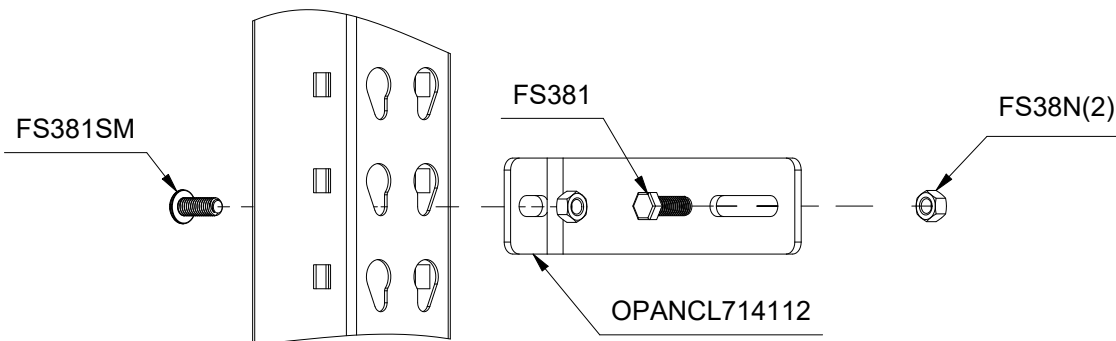
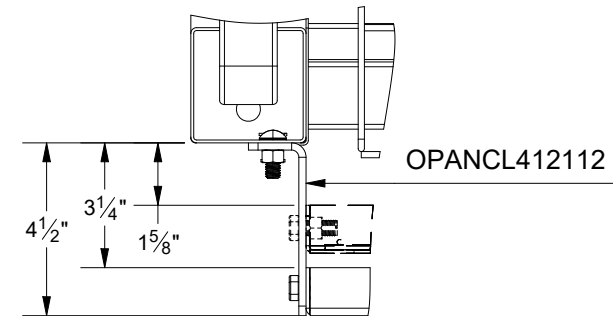
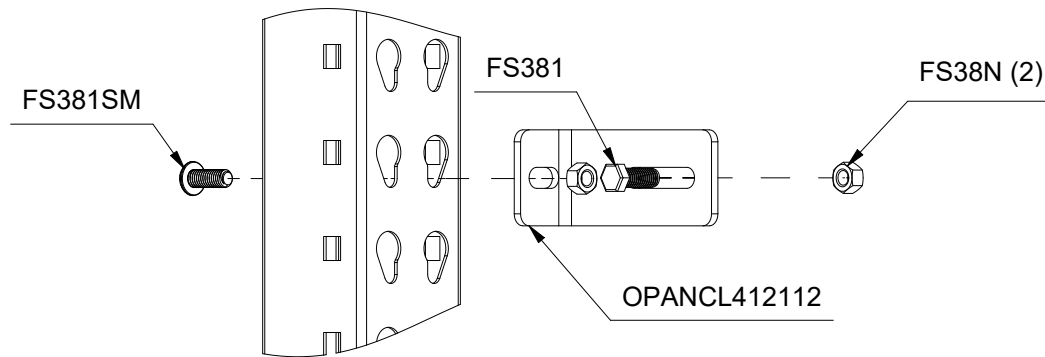


Pre-install the hardware to the OPANCL'X'. Engage the teardrop with the head of the FS381SM, lower into position, and apply outward force while tightening the FS38N.

End Panel



Positioning Ranges



Thanks for using

WireCrafters

Wire Partition Systems

For more information on WireCrafters products please visit our website at www.wirecrafters.com