

GARAGE STORAGE LOCKERS

WireCrafters

SKETCH & SUBMIT

Send via email to info@wirecrafters.com, or fax to **502-361-3857**, or you may submit online by attaching to a contact form at www.wirecrafters.com

NAME _____ COMPANY _____

CITY, STATE, & ZIP CODE _____ SHIP TO ZIP CODE _____

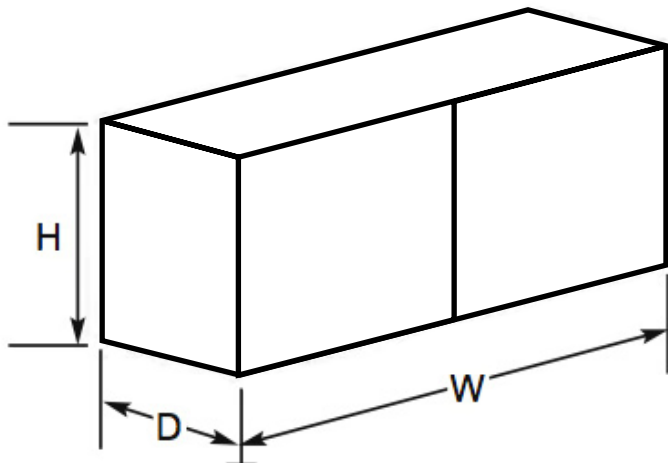
FAX NUMBER _____ PHONE NUMBER _____ EMAIL ADDRESS _____

HEIGHT <input type="checkbox"/> 3' 0" <input type="checkbox"/> Other _____ (please specify)	WIDTH OF SINGLE LOCKER <input type="checkbox"/> 8' 0" <input type="checkbox"/> Other _____ (please specify)	DEPTH OF SINGLE LOCKER <input type="checkbox"/> 3' 0" (max.) <input type="checkbox"/> Other _____ (please specify)	DOOR <input type="checkbox"/> Sliding <input type="checkbox"/> Double Hinged	TOPS <input type="checkbox"/> Yes <input type="checkbox"/> No
---	---	--	---	--

QUANTITY # Free Standing: _____ # Side by Sides: _____	COLOR <input type="checkbox"/> Gray (Standard) <input type="checkbox"/> Other _____ (please specify)	LOCKS Padlock Lugs
---	--	------------------------------

NOTES

Installation: Do you need installation? Yes No **Dealer:** Would you like the name of your nearest dealer? Yes No



SKETCH AN OVERHEAD VIEW OF THE ROOM INCLUDING THE LOCKERS. PLEASE NOTE OVERALL ROOM DIMENSIONS, CONSTRUCTION OF ADJACENT WALLS AND FLOOR, AND THE EXISTENCE OF ANY OVERHEAD OBSTRUCTIONS.

WireCrafters®

6208 Strawberry Lane
 Louisville, KY 40214
 800-626-1816 | www.wirecrafters.com