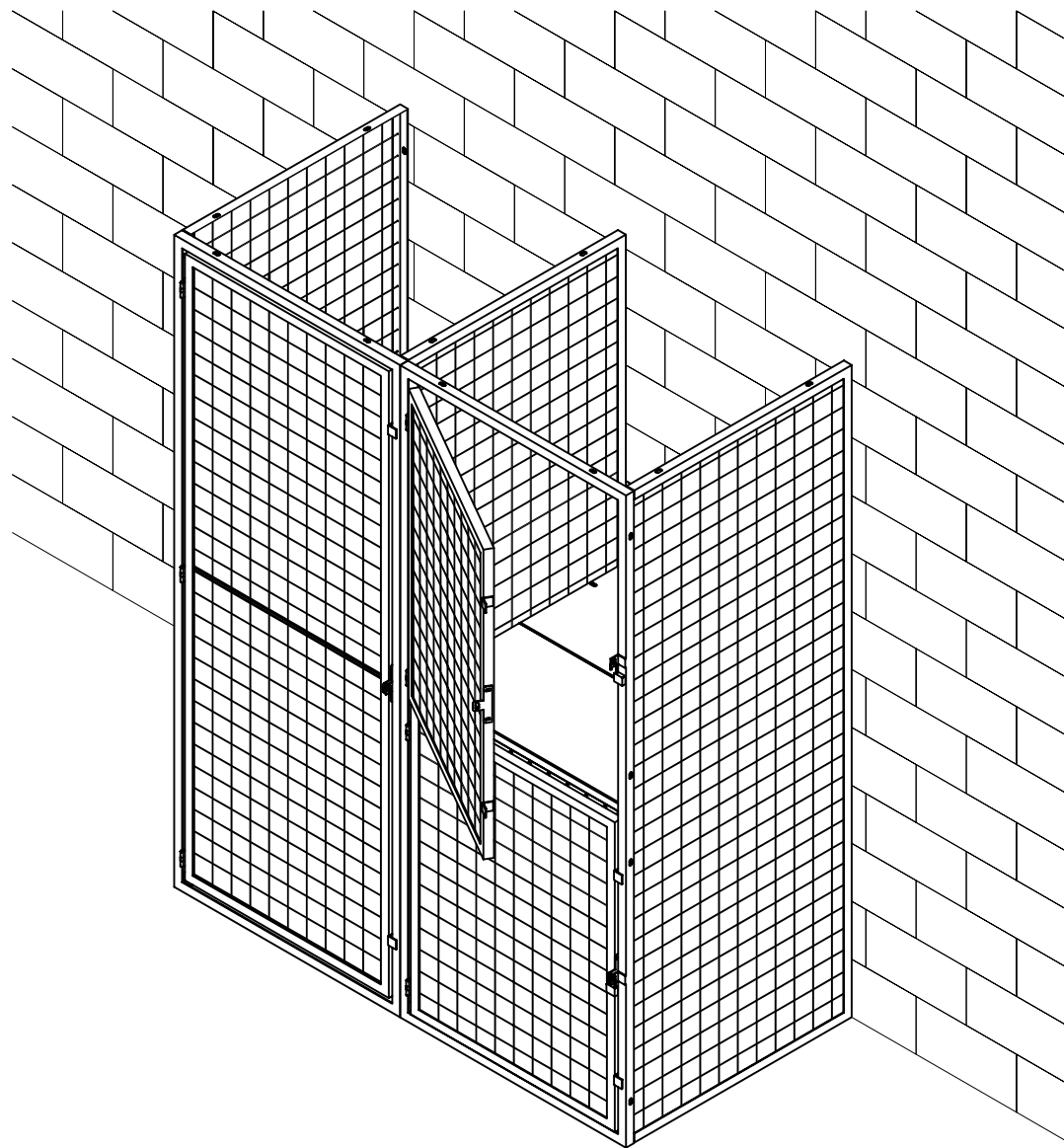


WireCrafters

Welded Wire Locker Installation Instructions



INCLUDED IN THIS MANUAL

General information	2
End Wall/Door Connection	3
Intermediate Wall Connection	4
Back Panel	5
Typical Locker Run	6
Divider/Shelf and Support	7
Divider/Shelf Detail	8
Ceiling Panel	9

We're Here To Help
1-800-626-1816

6208 Strawberry Lane
Louisville, Kentucky 40214

502/363-6691
502/362-3857 FAX

www.wirecrafters.com
1-800-626-1816

The following Locker installation instructions should be used as a guide for installing WireCrafters Storage Lockers. Because of the varying job site conditions and layout possibilities, there is no "recommended" way to install the product. Good common sense and proper safety precautions must be used during installation. The product may be unstable during installation; proper temporary bracing should be used until all hardware is tightened and the product is properly anchored in place. Permanent field bracing may be installed at installer's/owner's discretion. Install problems arising from job site conditions should be referred to a professional installer. Refer product assembly questions to WireCrafters at 1-800-626-1816.

TOOLS RECOMMENDED

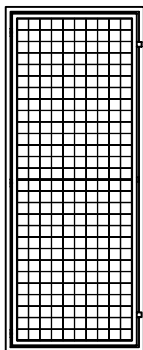
Chalk line & marker
Tape Measure
Level
Hacksaw

Drill with adjustable clutch and 3/8" nut driver
Hammer Drill with 3/8" masonry bit
(2) 9/16" open end wrenches and/or
(2) 9/16" deep socket ratchets

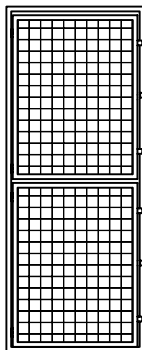
(2) Step ladders if installing ceiling
(2) C clamps or Vise-Grips} type clamps
#1 & #2 Phillips Screw Drivers
1/2" deep socket or 1/2" open end wrench

INSTALLER TIPS

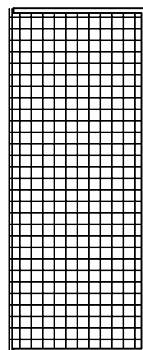
1. Installation is best accomplished with a two or three person crew.
2. Before starting, review all installation instructions pertinent to your layout (i.e. shelves, backs, etc.).
3. "Face Side" of the locker is the outside, where nuts and bolts will NOT be accessible. Assembly hardware will be on the inside of most layouts.
4. Identify all panels by part number. If possible, stage parts where they will be installed.
5. Special size panels have metal tags on the mesh and are referenced on the drawing.
6. Begin installation process at a building wall, end, or corner of layout.
7. Installer should cut off any bolts or hardware protruding into aisle ways or around door openings.
8. Installer should touch up all nicks, marks, and scratches with touch up paint provided.



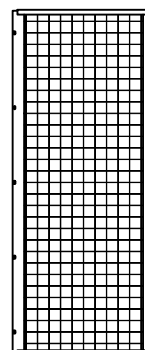
ELEVATION
SINGLE TIER DOOR



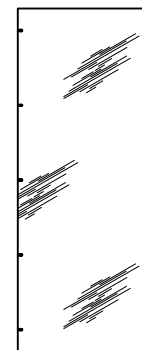
ELEVATION
DOUBLE TIER DOOR



ELEVATION
SIDE WALL PANEL
(End or Intermediate)



ELEVATION
WELDED WIRE BACK PANEL



ELEVATION
SHEET METAL BACK PANEL

Storage Locker Specifications

#10 Gauge Welded Wire
2" x 2" Opening Square Mesh
with 1/4" x 1/4" x #13 Gauge
Roll Formed Angle Frame.
#16 Gauge Galvanized Sheet Metal Backs
and Shelves.
All Necessary Erection Hardware Furnished
3/8" Assembly and Anchor Bolts

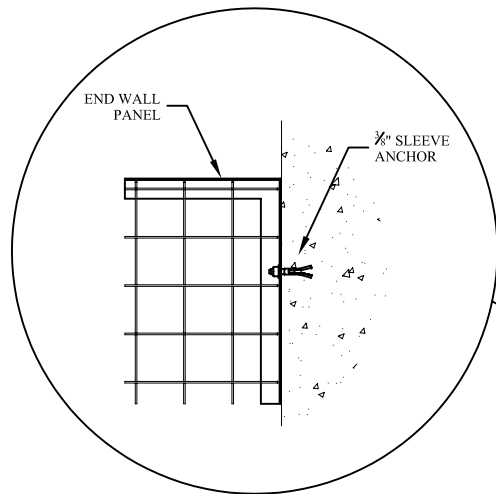


Fig. 1
Inside View

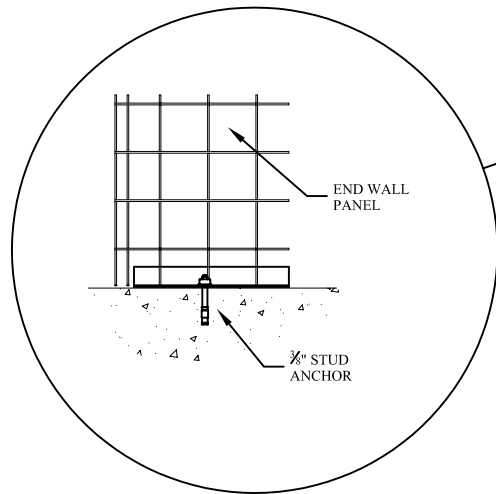


Fig. 2
Inside View

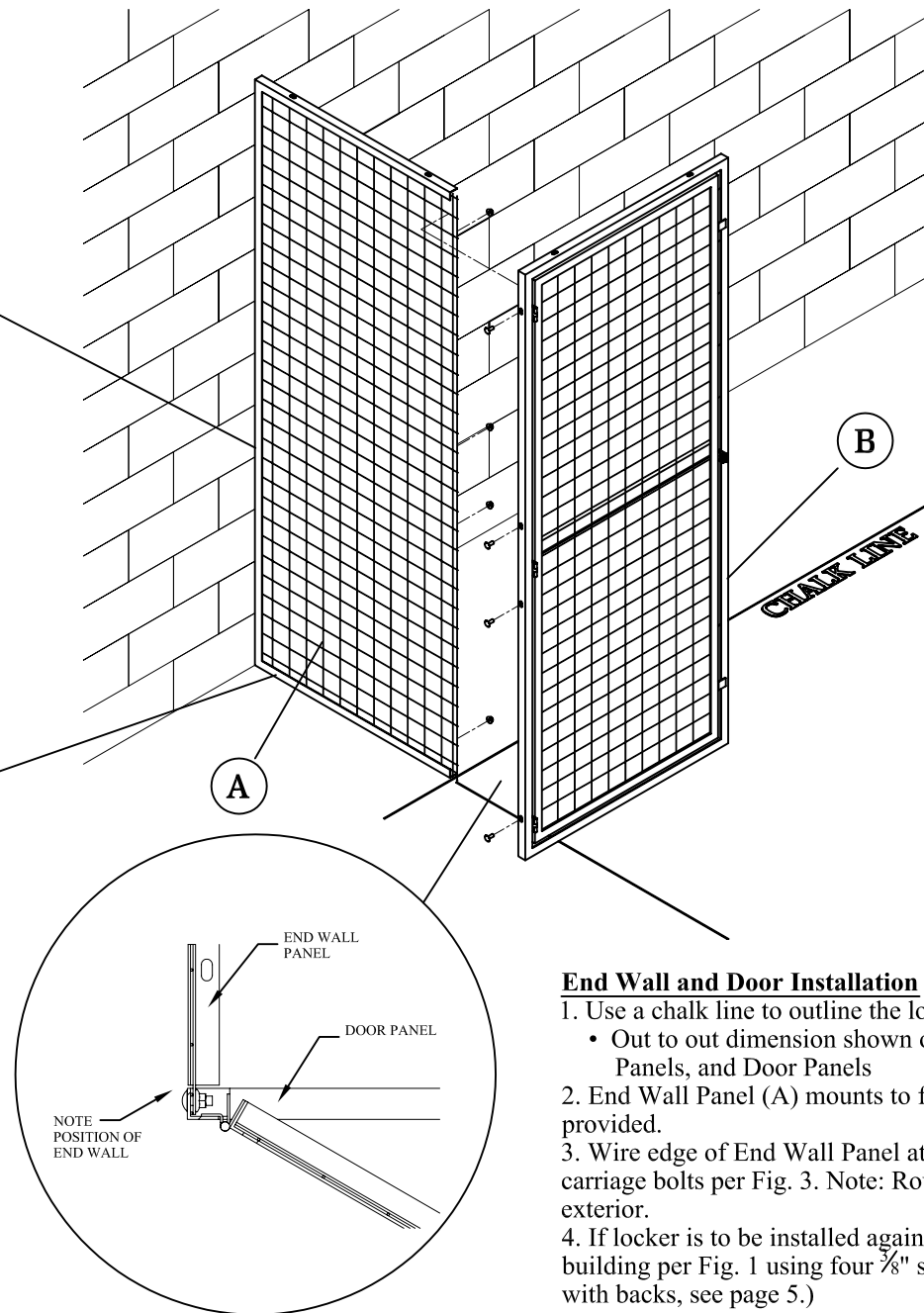
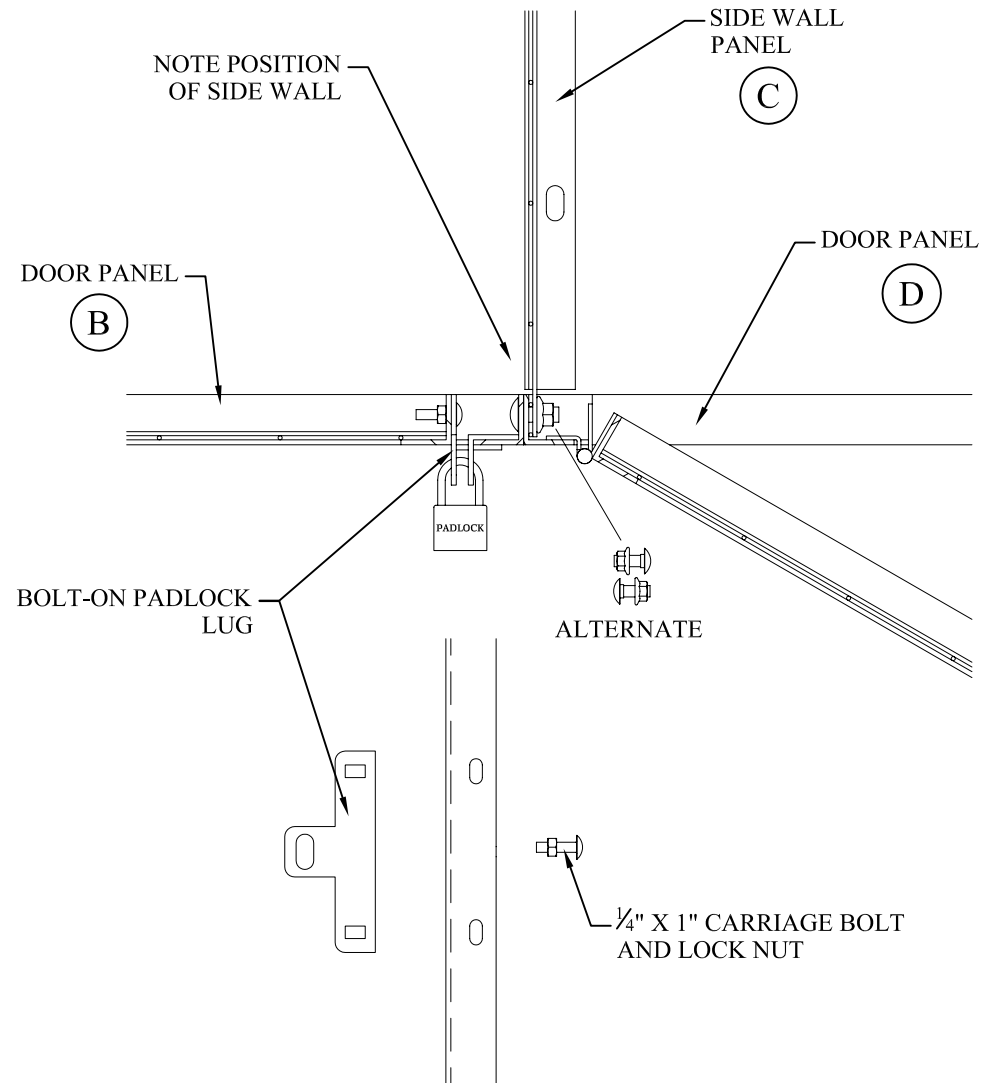
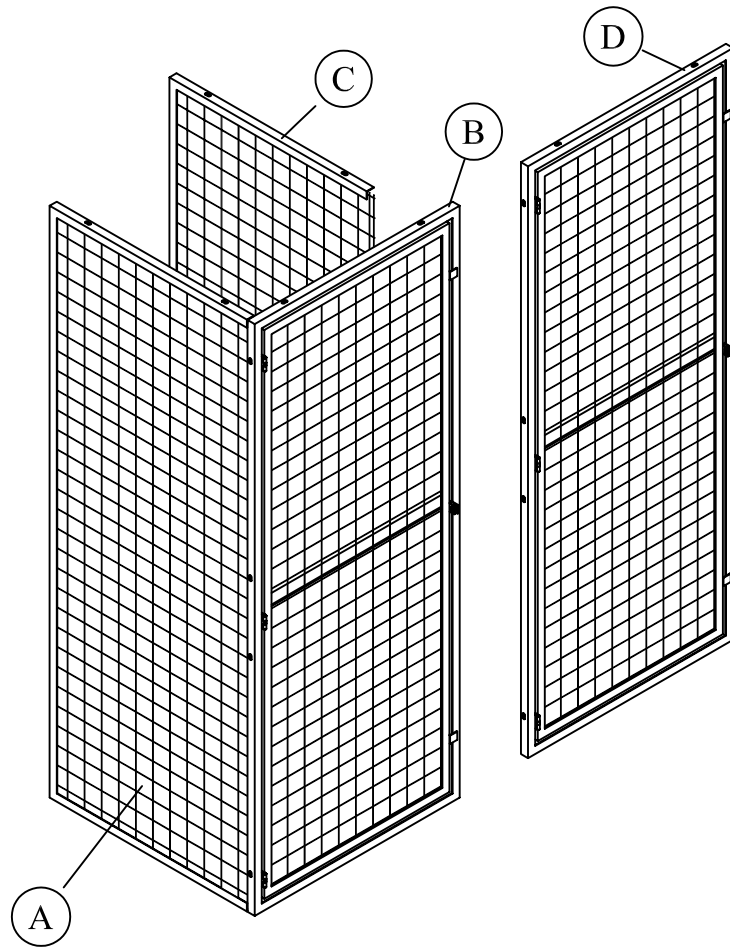


Fig. 3

End Wall and Door Installation

1. Use a chalk line to outline the locker layout on the floor.
 - Out to out dimension shown on drawing are to face side of Wall Panels, and Door Panels
2. End Wall Panel (A) mounts to floor per Fig.2 using two $\frac{3}{8}$ " stud anchors provided.
3. Wire edge of End Wall Panel attaches inside of Door Panel frame (B) with four carriage bolts per Fig. 3. Note: Rounded head of carriage bolt is installed on the exterior.
4. If locker is to be installed against building walls, anchor End Wall Panel (A) to building per Fig. 1 using four $\frac{3}{8}$ " sleeve anchors provided. (For stand alone lockers with backs, see page 5.)



Intermediate Wall Connection

1. Border Wire of Wall Panel (C) connects inside the Door Panel Frame (B) with four $\frac{3}{8}$ " x 1" carriage bolts. Note: For proper security bolts should be installed in alternating directions to prevent intrusion per Fig. 1.
2. Side Wall Panel (C) mounts to floor per page 4, Fig. 2 using two $\frac{3}{8}$ " stud anchors provided.
3. If locker is to be installed against building walls, anchor Side Wall Panel (C) to wall per page 4 Fig. 1 using four $\frac{3}{8}$ " sleeve anchors provided.
4. Note: Frame of Door Panels (B) and (D) install frame to frame, with Wall Panel border wire secured to inside one door frame.
5. Padlock lug mounts to door panel using $\frac{1}{4}$ " x 1" carriage bolts.
6. See Fig. 1 for placement and adjustment.

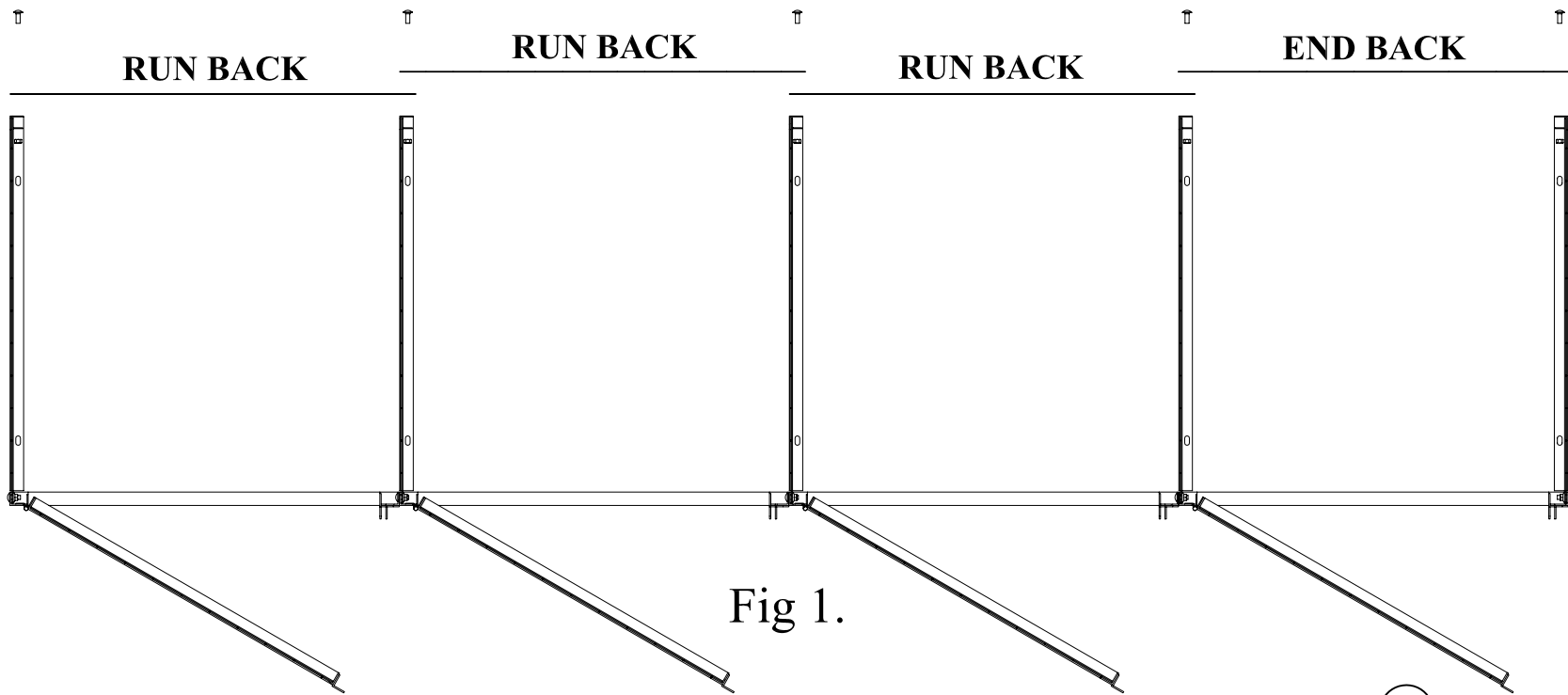
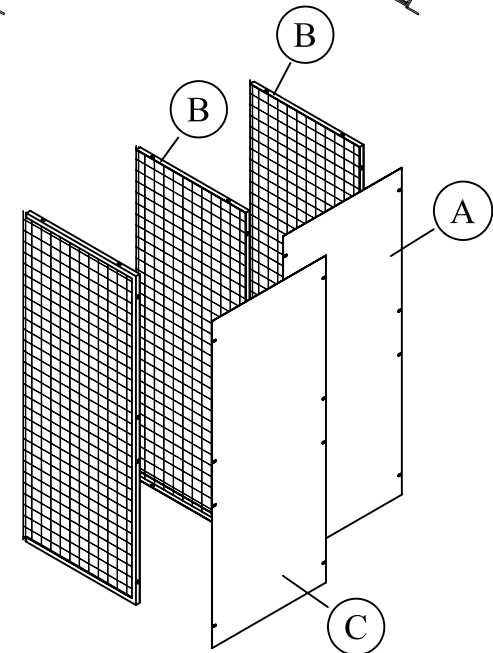
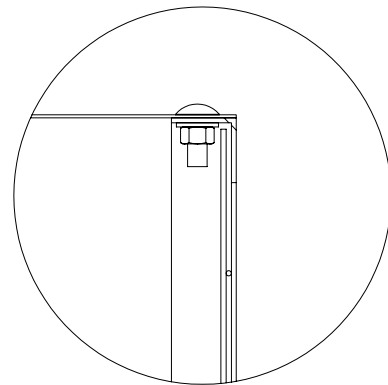
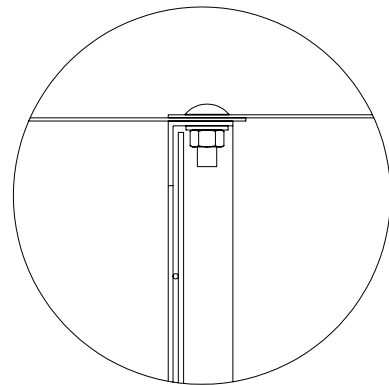
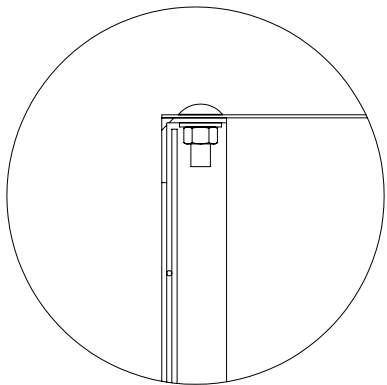


Fig 1.



Back Panel Installation (Optional or for free standing lockers)

1. Back Panel (A) mounts to Side Wall Panels (B) using four $\frac{3}{8}$ " x 1" carriage bolts and washers provided
2. Edges of adjacent back panels overlap per Fig. 1.
3. For lockers to be installed against building walls see page 4, Fig. 1.

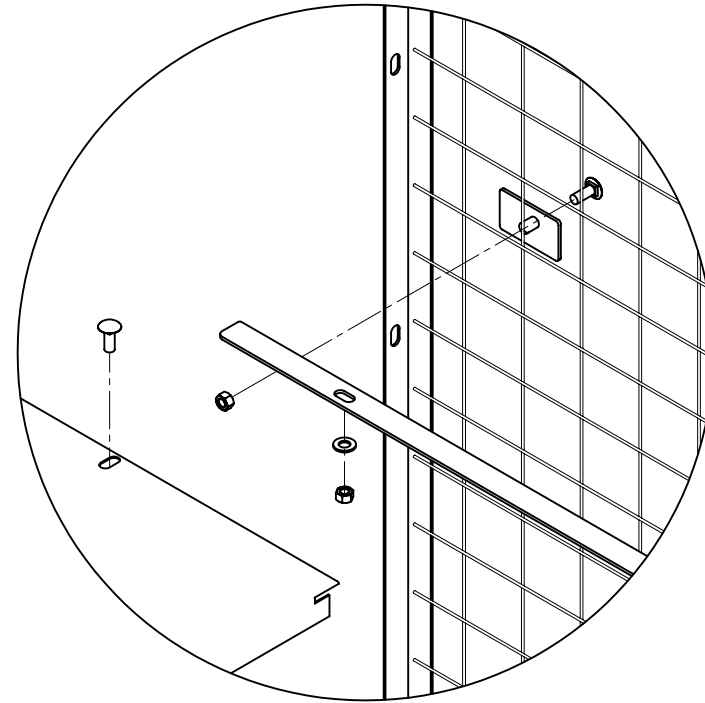
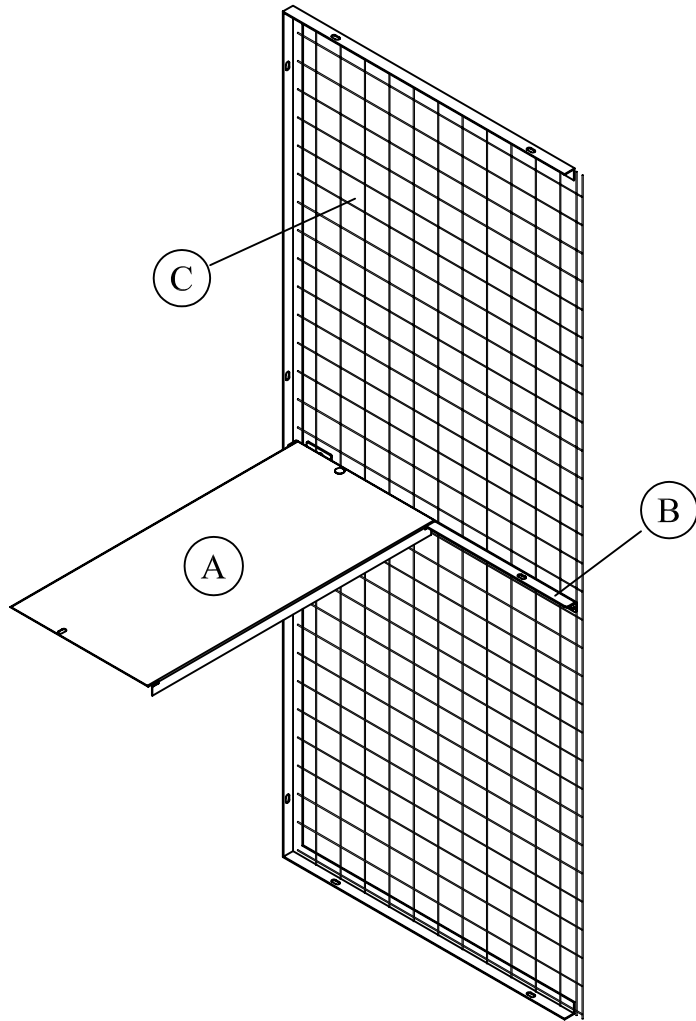
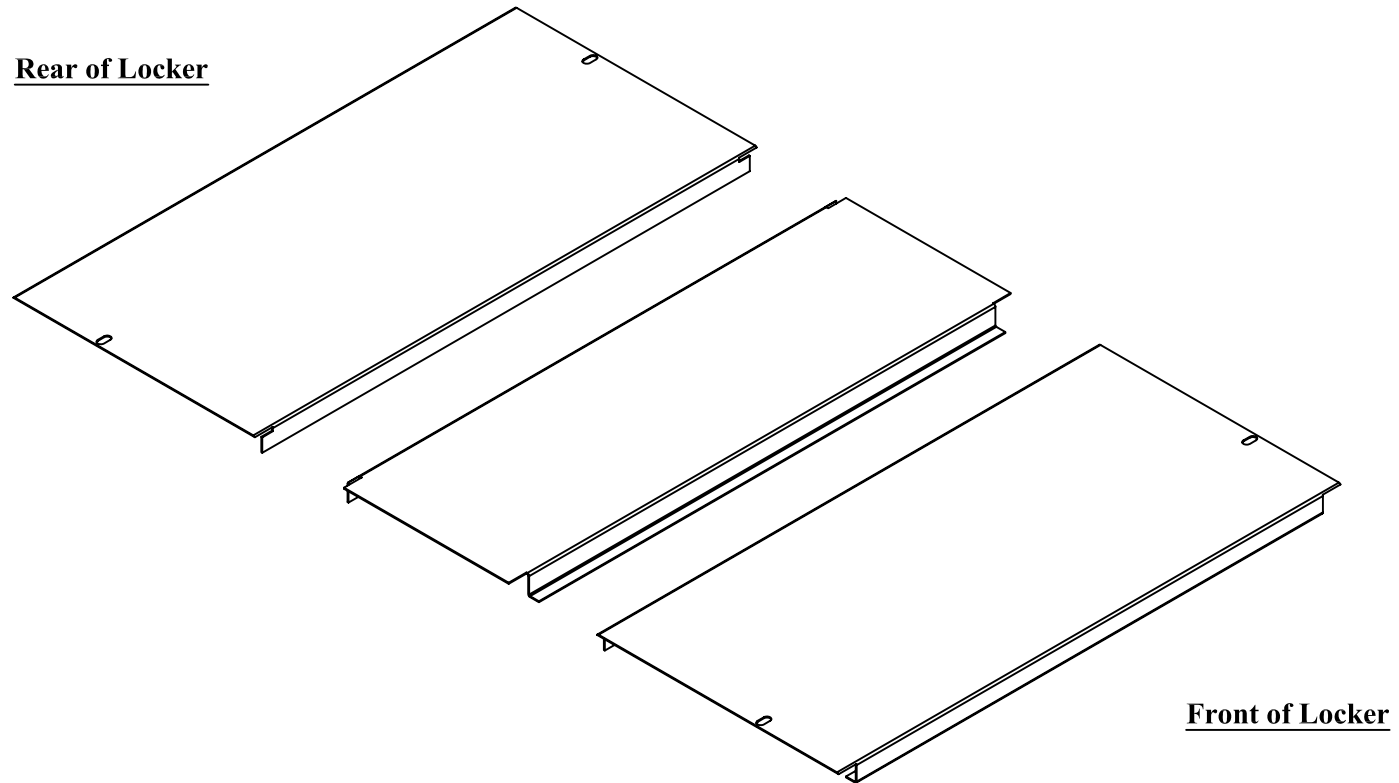


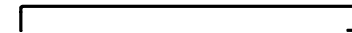
Fig. 1

Divider/Shelf and Support Installation

1. Angle support (B) bolts to wall panel (C) per Fig. 1 using two $\frac{3}{8}$ " x 1" carriage bolts provided.
2. Galvanized sheet metal section (A) bolts to angle support (B) per Fig. 1 using one $\frac{3}{8}$ " x 1" carriage bolts provided.



Rear of Locker



Front of Locker

SIDE VIEW

Divider/Shelf Installation

1. Install angle supports on locker walls per page 7.
2. Place Divider/Shelf sections on top of angle support in order as shown above. Note: Middle section is smaller.
3. Bolt Divider/Shelf sections in place using four $\frac{3}{8}$ " x 1" carriage bolts provided

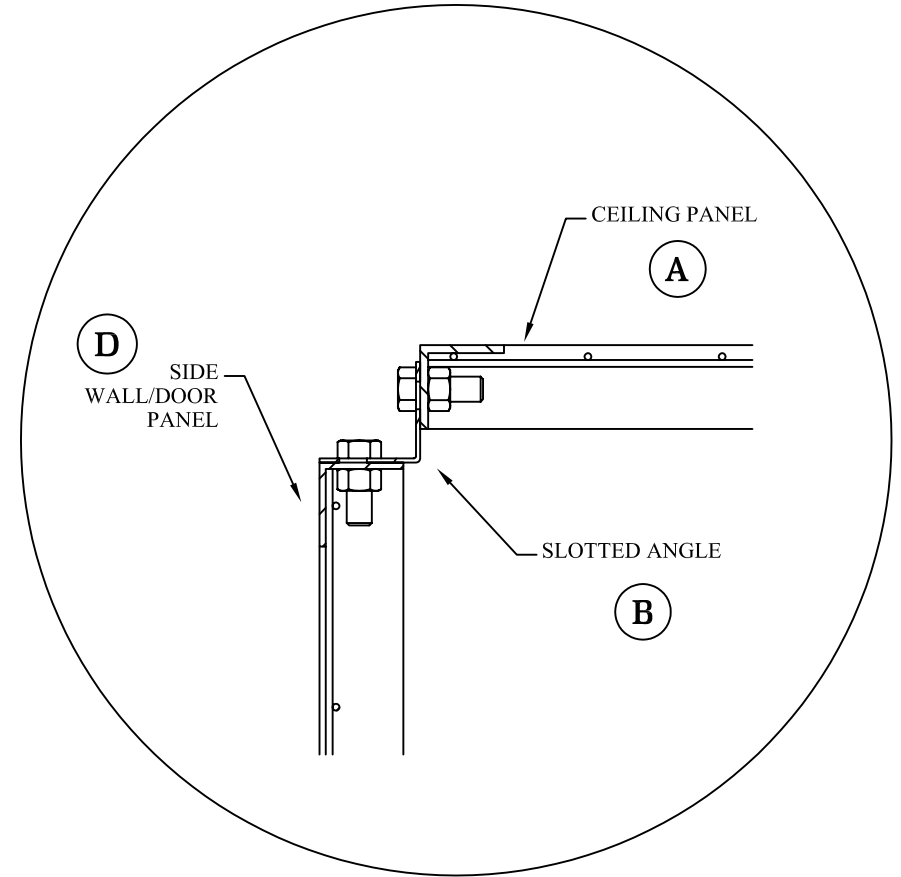
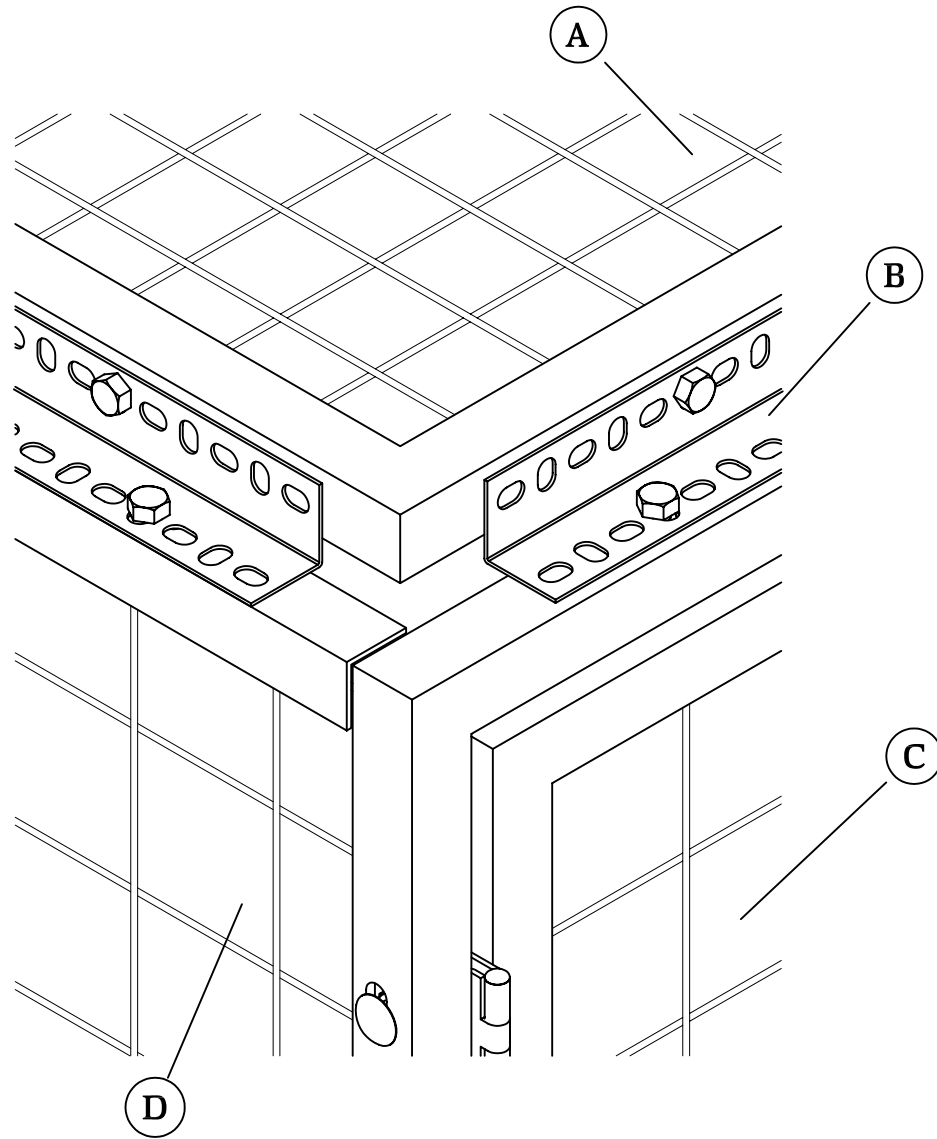


Fig. 1

Ceiling Panel Installation

1. Ceiling panel (A) mounts to door panel (C) per Fig. 1 using slotted angle (B) and $\frac{3}{8}$ " x 1" hex head bolts provided.
2. Ceiling panel (A) mounts to side wall panel (D) per Fig. 1 using slotted angle (B) and $\frac{3}{8}$ " x 1" hex head bolts provided.

Thanks for using

WireCrafters

welded wire partitions

Tool Cribs * Storage Lockers * Machine Guards * Mezzanine Rails * Pallet Rack Backs * Security Enclosures

WWW.WIRECRAFTERS.COM